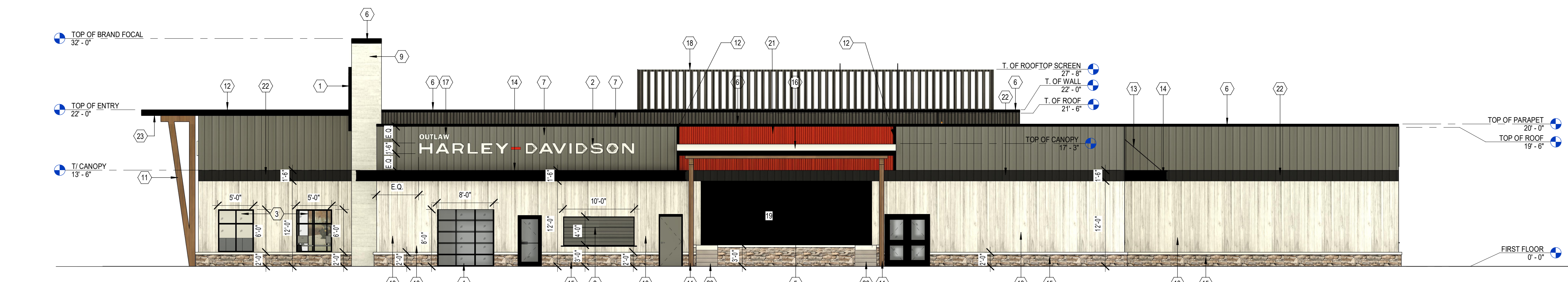


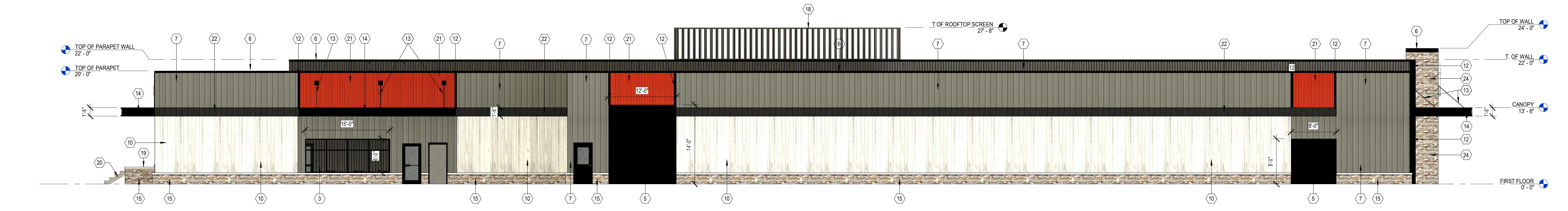
KEYED NOTES	
1	DIMENSIONAL ILLUMINATED OUTLINE BAR & SHIELD SIGN. PROVIDE POWER.
2	24" ILLUMINATED HORIZON LOGO SIGN. PROVIDE POWER.
3	EXTERIOR WINDOW WITH BLACK ANODIZED FRAME AND 1" TEMPERED GLASS.
4	FULL GLASS OVERHEAD DOOR WITH BLACK ANODIZED FRAME & TEMPERED GLASS.
5	METAL OVERHEAD DOOR WITH BLACK FRAME AND PANELS.
6	BLACK GALVANIZED PARAPET CAPPING.
7	GALVANIZED METAL PANEL (DARK GRAY).
8	METAL ROLL-UP CONCESSION SERVING WINDOW (BLACK ANODIZED FRAME).
9	BRAND FOCAL: CLAD WITH CONCRETE LOOK FIBER CEMENT BOARD CLADDING (NICHHA OR EQUAL).
10	FAUX WOOD FIBER CEMENT BOARD CLADDING (CERACLAD OR EQUAL).
11	DECORATIVE COLUMN WITH FAUX WOOD FIBER CEMENT BOARD CLADDING (NICHHA OR EQUAL).
12	GALVANIZED METAL TRIM (BLACK).
13	CANOPY TIE BACK AND METAL PLATE (BLACK). REFER TO STRUCTURAL.
14	GALVANIZED METAL CANOPY (BLACK).
15	THIN STONE VENEER (COLORADO OR EQUAL) WITH PRECAST STONE CAP.
16	STAGE CANOPY.
17	ILLUMINATED DEALER DBA SIGN. PROVIDE POWER.
18	ROOFTOP SCREEN WALL. COORDINATE HEIGHT WITH MEP.
19	STAGE (3'-0") WITH THIN STONE VENEER (COLORADO STONE OR EQUAL).
20	STAGE STAIRS (CONCRETE).
21	GALVANIZED METAL PANEL (ORANGE).
22	GALVANIZED METAL PANEL (BLACK).
23	UNDERSIDE OF ENTRY AND OVERHANGS TO HAVE CEDAR-LOOK FAUX WOOD FIBER CEMENT BOARD CLADDING.
24	THIN STONE VENEER (COLORADO STONE OR EQUAL).
25	STOREFRONT SYSTEM WITH BLACK ANODIZED FRAME AND 1" TEMPERED GLASS.
26	OUTLINE BAR & SHIELD DECAL ADHERED TO OVERHEAD DOOR.
27	ILLUMINATED SERVICE SIGN. PROVIDE POWER.
28	MONUMENT SIGN. REFER TO SIGNAGE DRAWINGS. PROVIDE POWER.



**1 EAST ELEVATION**  
 SCALE: 1/8" = 1'-0"  
**METAL PANELS:** 1,209 S.F. (32%)  
**FAUX FIBER CEMENT:** 1,705 S.F. (46%)  
**THIN STONE VENEER:** 310 S.F. (10%)  
**WINDOWS/DOORS:** 440 S.F. (12%)  
**FACADE TOTAL:** 3,664 S.F. (100%)



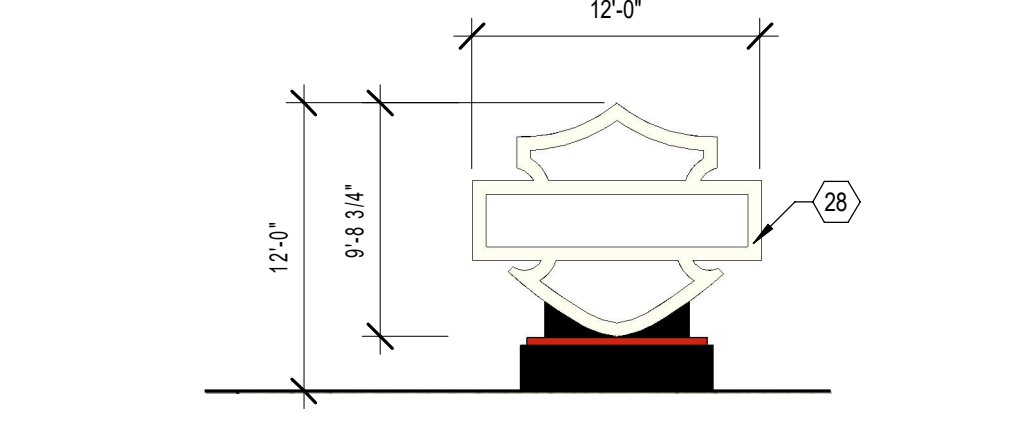
**2 SOUTH ELEVATION**  
 SCALE: 1/8" = 1'-0"  
**METAL PANELS:** 1,739 S.F. (33%)  
**FAUX FIBER CEMENT:** 1,634 S.F. (32%)  
**THIN STONE VENEER:** 545 S.F. (11%)  
**WINDOWS/DOORS:** 1,260 S.F. (24%)  
**FACADE TOTAL:** 5,178 S.F. (100%)



**3 NORTH ELEVATION**  
 SCALE: 1/8" = 1'-0"  
**METAL PANELS:** 2,154 S.F. (43%)  
**FAUX FIBER CEMENT:** 1,560 S.F. (31%)  
**THIN STONE VENEER:** 861 S.F. (17%)  
**WINDOWS/DOORS:** 385 S.F. (9%)  
**FACADE TOTAL:** 4,960 S.F. (100%)



**4 WEST ELEVATION**  
 SCALE: 1/8" = 1'-0"  
**METAL PANELS:** 1,445 S.F. (36%)  
**FAUX FIBER CEMENT:** 1,510 S.F. (38%)  
**THIN STONE VENEER:** 375 S.F. (10%)  
**WINDOWS/DOORS:** 650 S.F. (16%)  
**FACADE TOTAL:** 3,980 S.F. (100%)



**5 MONUMENT SIGN ELEVATION**  
 SCALE: 1/8" = 1'-0"

This drawing is the property of ARCHITECTURAL GROUP INTERNATIONAL and is not to be reproduced or copied in whole or in part. It is only to be used for the project and site specifically identified herein and is not to be used on any other project. It is to be returned upon request. Signage shown herein are used on the original drawing only. Contractor shall verify review all dimensions and conditions shown herein and at once report to the architect any error, inconsistency or omission he may discover.

Revisions:

Mark	Date	By	Description
△			
△			

# HARLEY-DAVIDSON®

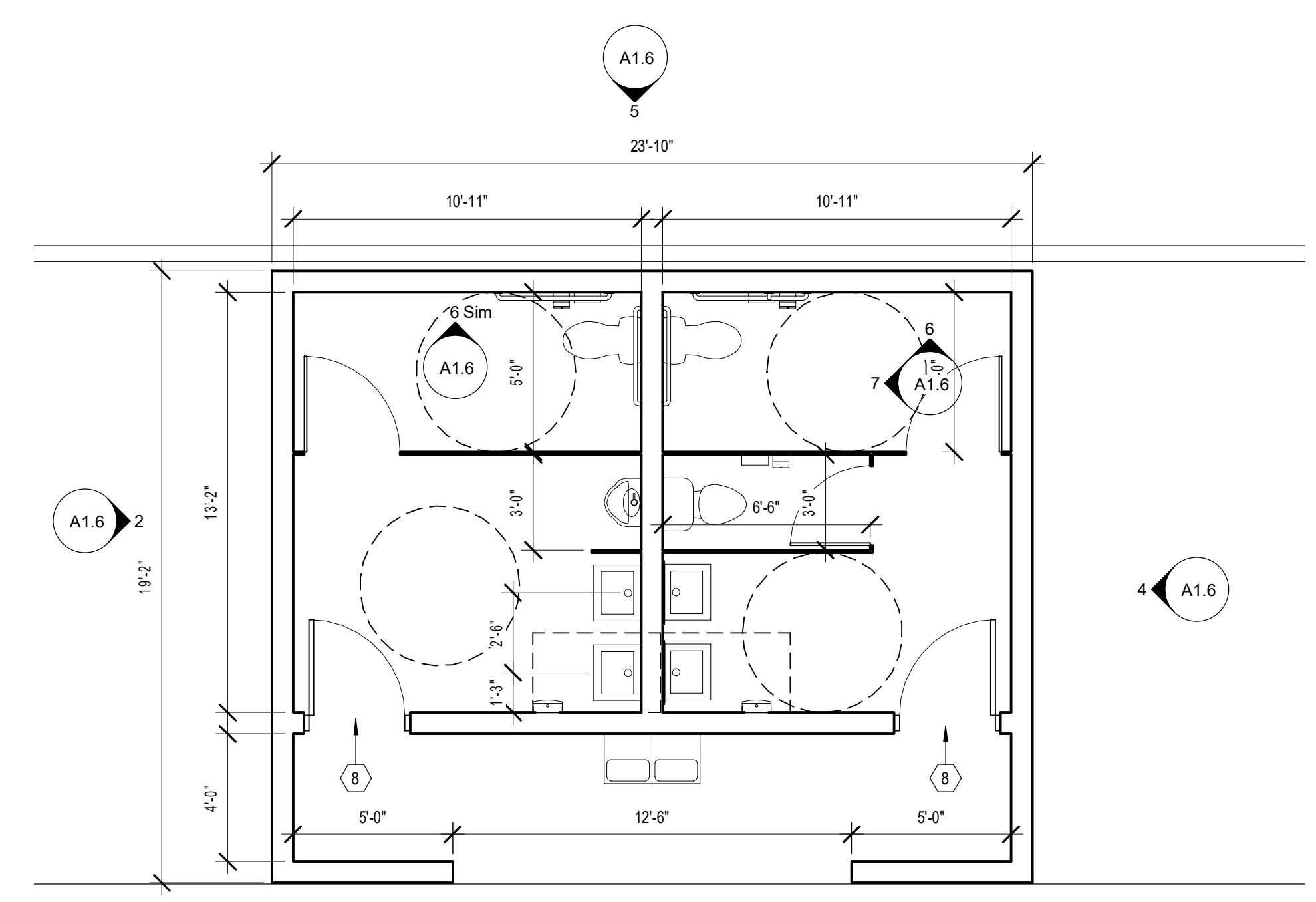
OUTLAW H-D

LEE'S SUMMIT, MO

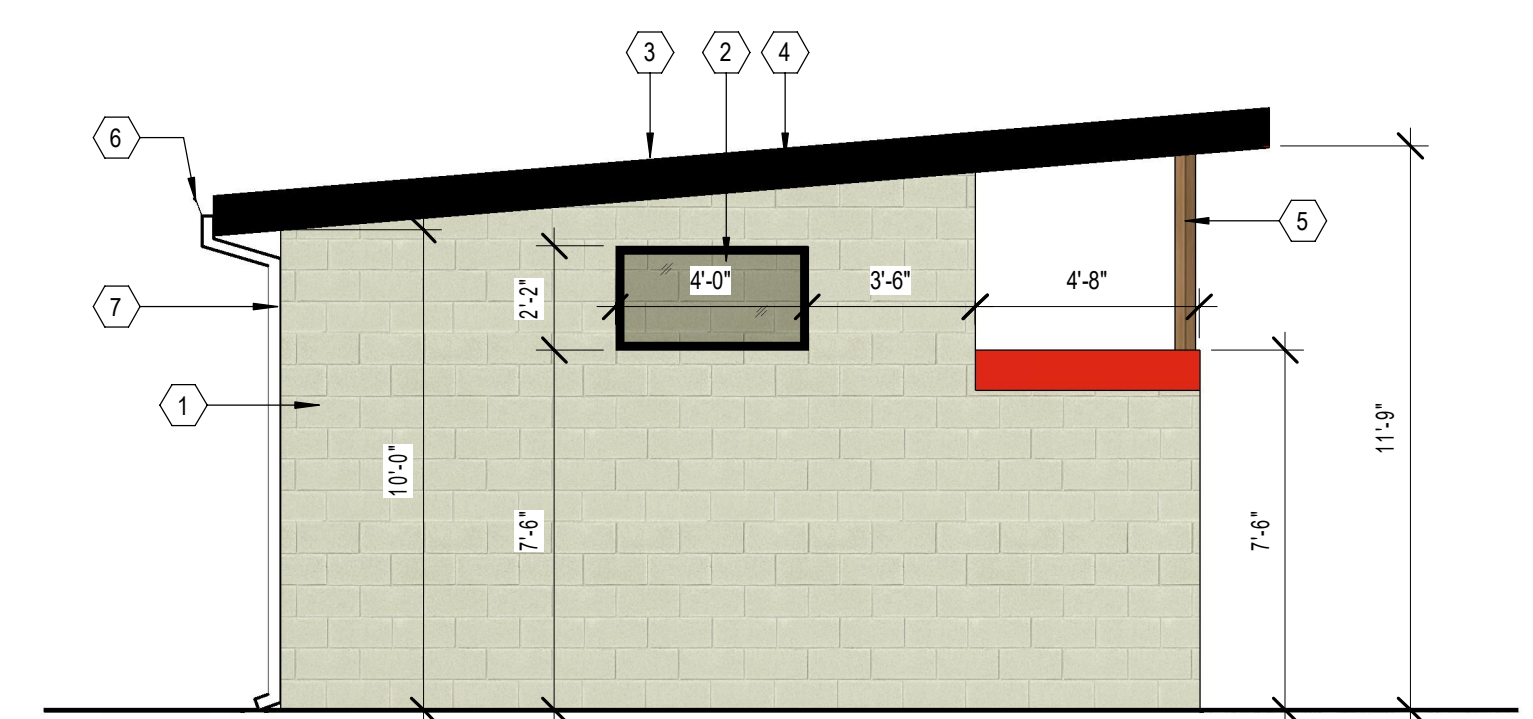
PROJECT #	230620
DATE ISSUED	12/18/2023
TITLE	EXTERIOR ELEVATIONS
SHEET	A2.1

NOT FOR CONSTRUCTION

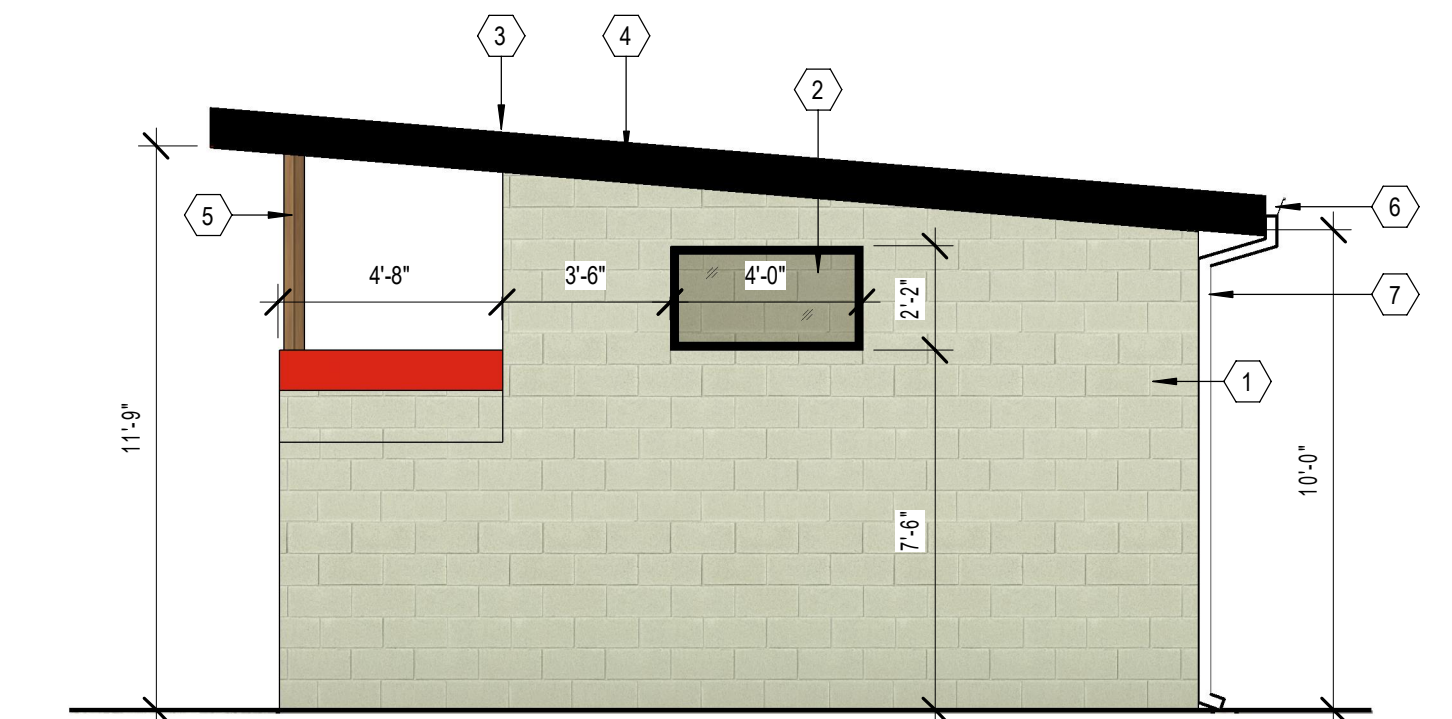
KEYNOTES	
1	8' SPLIT FACE CMU
2	WINDOW
3	ROOF SHINGLES
4	1X8 FASCIA
5	6X6 WOOD POST
6	6'X6" GUTTER
7	6" DOWNSPOUT
8	HMI DOOR AND FRAME



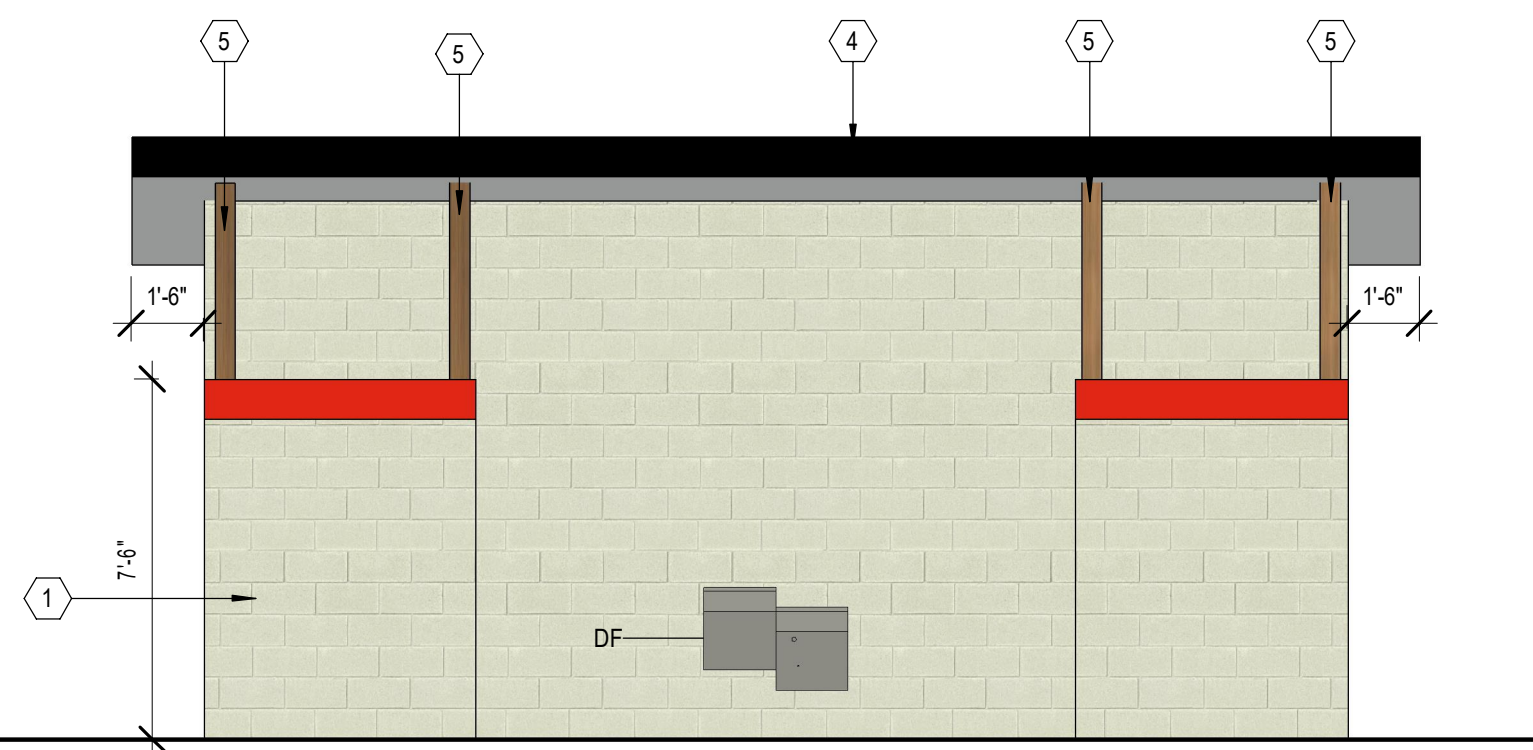
**1**  
**A1.6**  
**OUTDOOR RESTROOM PLAN**  
SCALE: 1/4" = 1'-0"



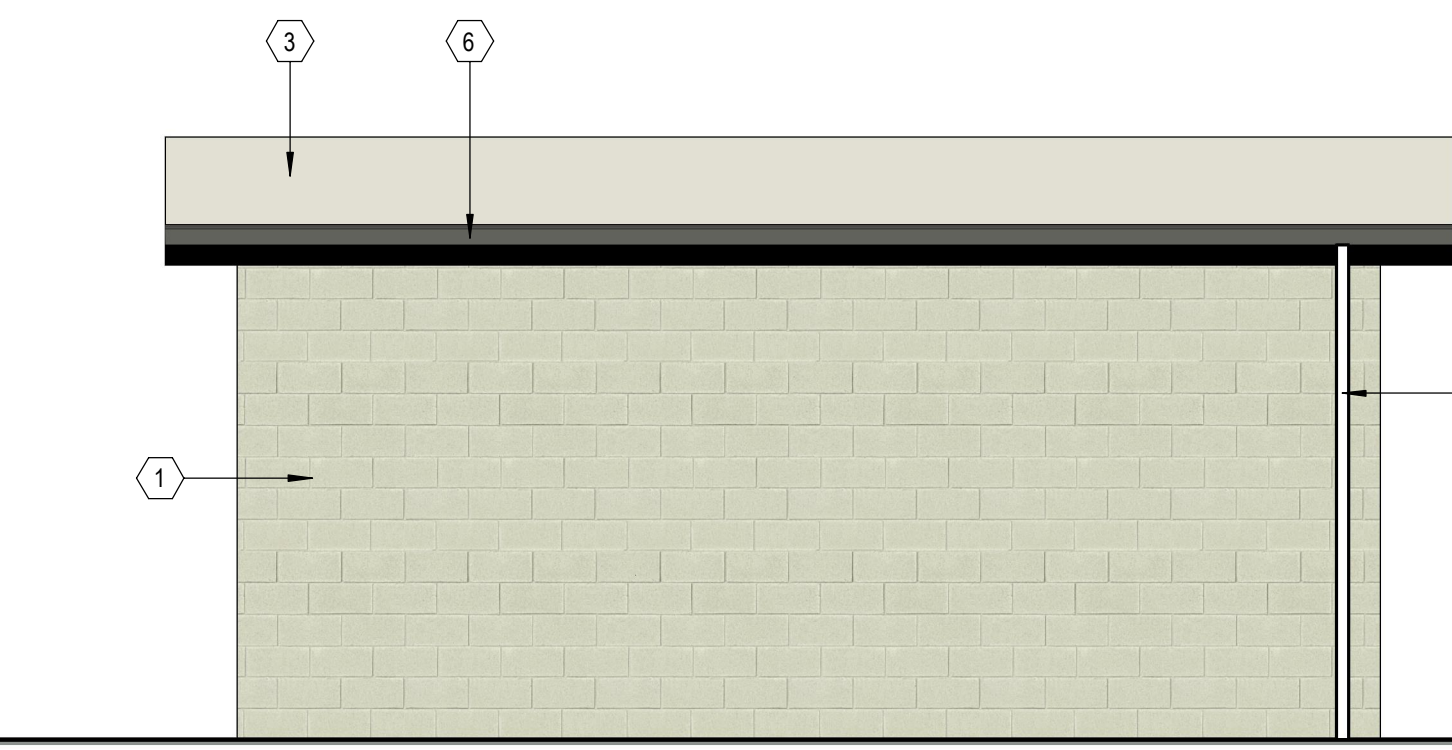
**2**  
**A1.6**  
**WEST ELEVATION**  
SCALE: 1/4" = 1'-0"



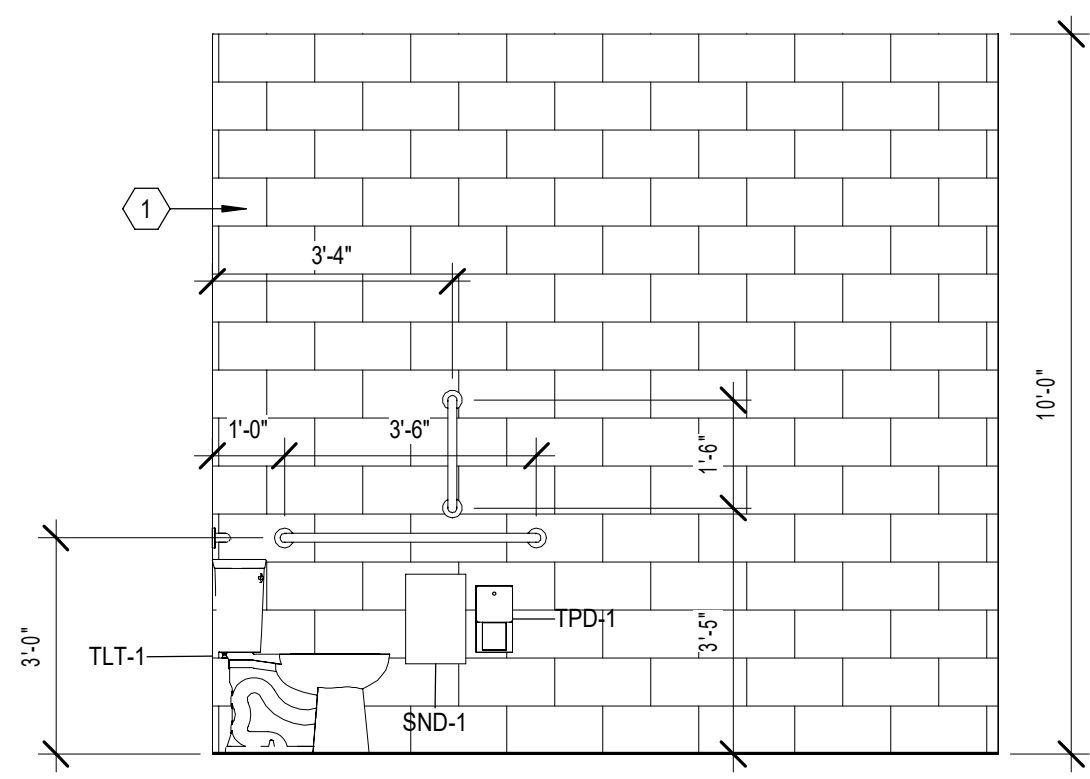
**4**  
**A1.6**  
**EAST ELEVATION**  
SCALE: 1/4" = 1'-0"



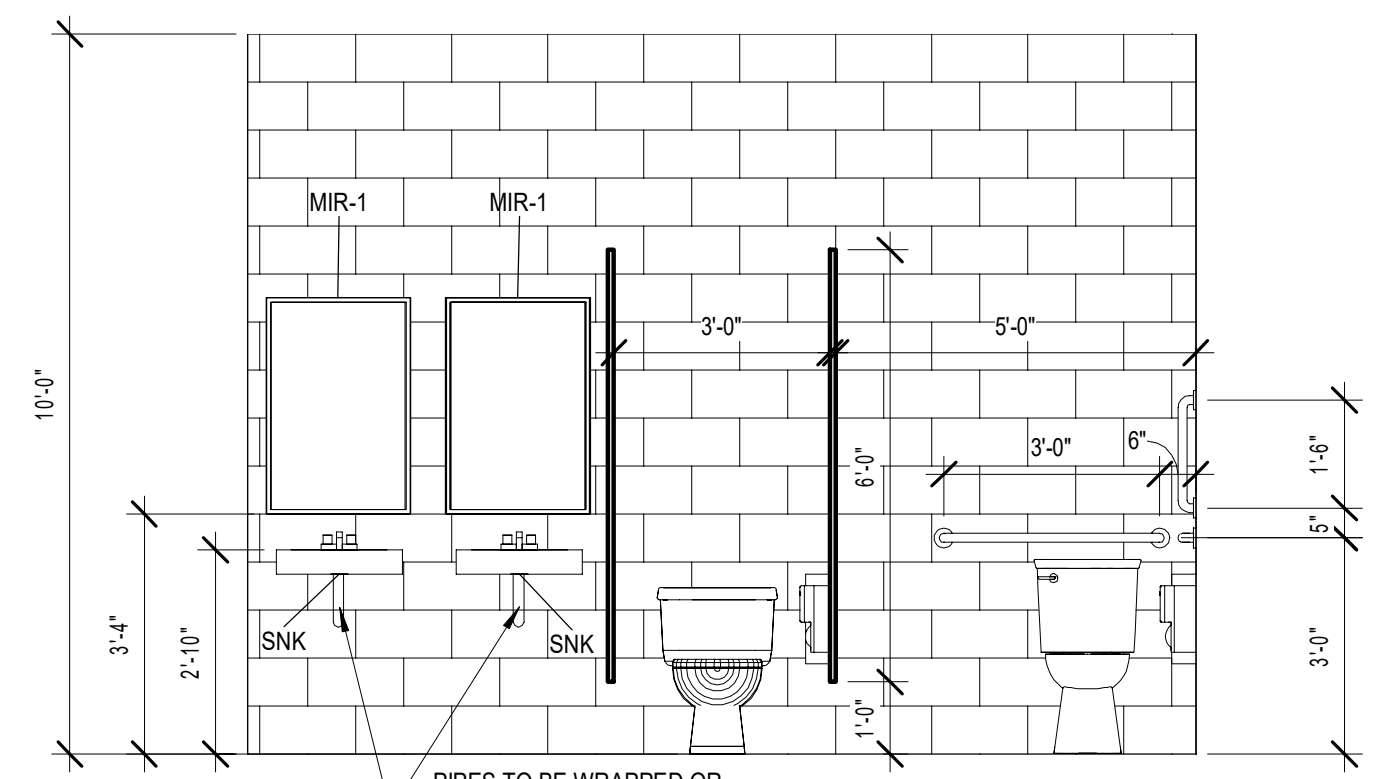
**3**  
**A1.6**  
**SOUTH ELEVATION**  
SCALE: 1/4" = 1'-0"



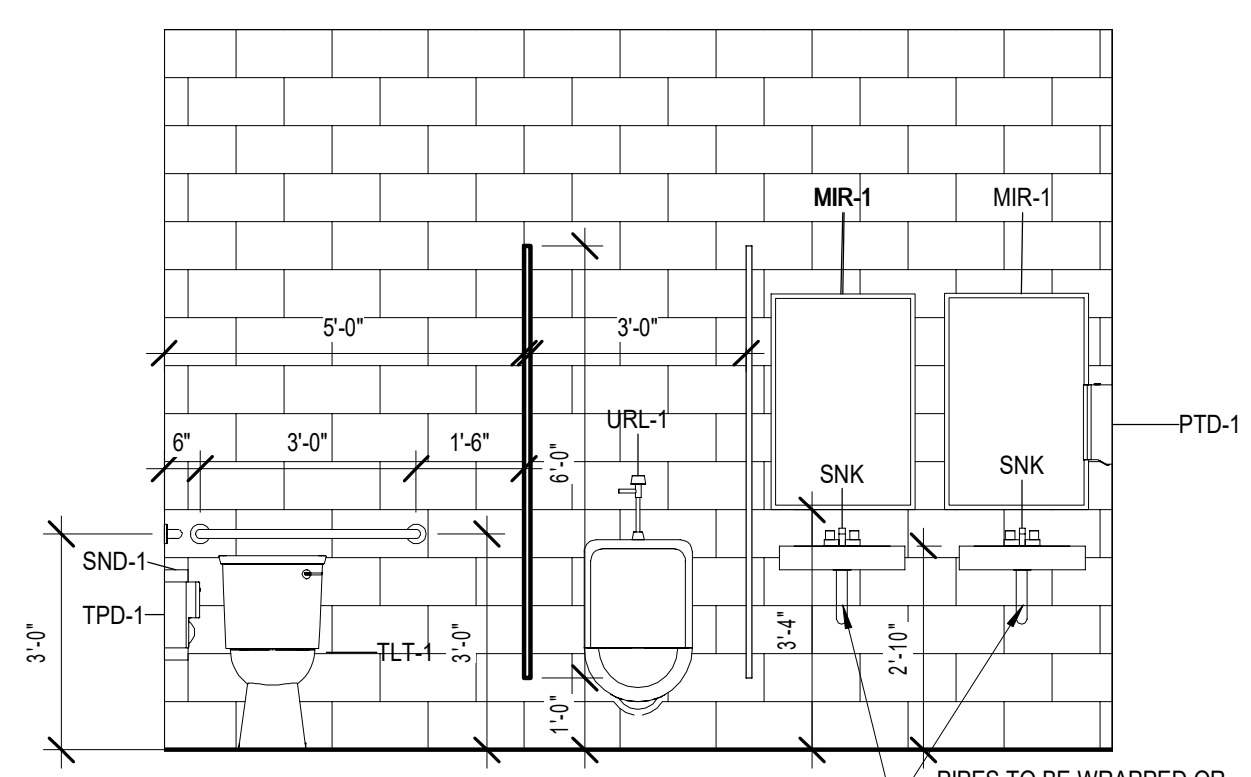
**5**  
**A1.6**  
**NORTH ELEVATION**  
SCALE: 1/4" = 1'-0"



**6**  
**A1.6**  
**RESTROOM ELEVATION**  
SCALE: 3/8" = 1'-0"



**7**  
**A1.6**  
**RESTROOM ELEVATION**  
SCALE: 3/8" = 1'-0"

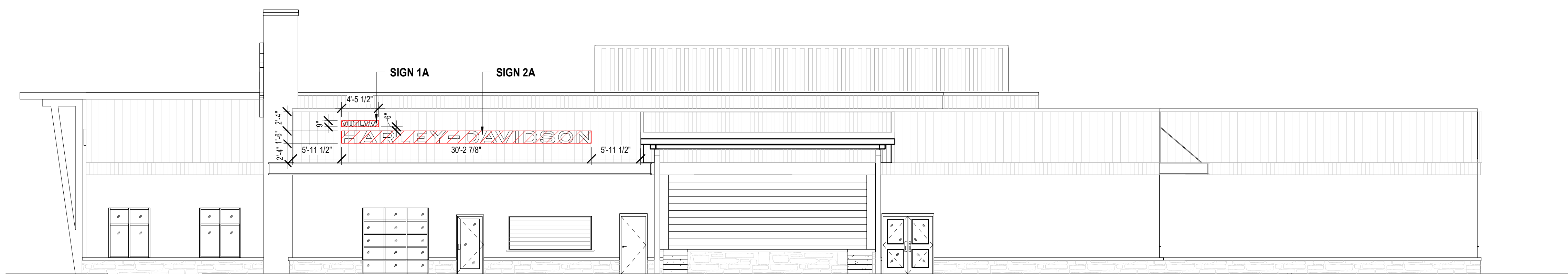


**8**  
**A1.6**  
**RESTROOM ELEVATION**  
SCALE: 3/8" = 1'-0"

This drawing is the property of ARCHITECTURAL GROUP INTERNATIONAL and is not to be reproduced or copied in whole or in part. It is to be used for the project and site specifically identified herein and is not to be used on any other project. It is to be returned upon request. Scale as stated herein are used on the original drawing only. Contractor shall carefully review all dimensions and conditions shown herein and at once report to the Architect any error, inconsistency or omission he may discover.

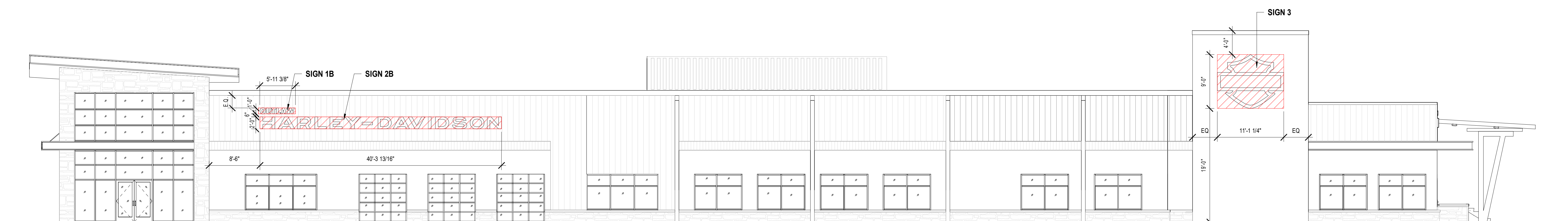
Revisions:

Mark	Date	By	Description
△			
△			



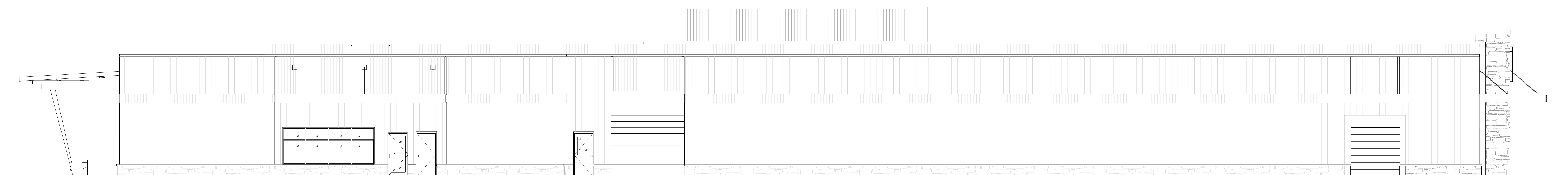
**1 EAST ELEVATION**  
 SCALE: 1/8" = 1'-0"

TOTAL ELEVATION: 3,480 S.F.  
 SIGN 1A: 3.22 S.F.  
 SIGN 2A: 45.36 S.F.  
 SIGNAGE PERCENTAGE: 1.4%



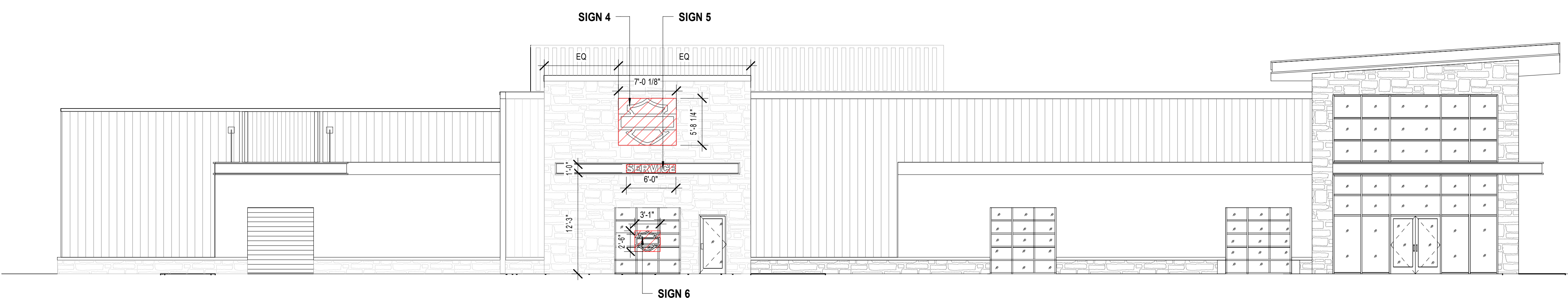
**2 SOUTH ELEVATION**  
 SCALE: 1/8" = 1'-0"

TOTAL ELEVATION: 5,362 S.F.  
 SIGN 1B: 5.95 S.F.  
 SIGN 2B: 80.63 S.F.  
 SIGN 3: 99.94 S.F.  
 SIGNAGE PERCENTAGE: 3.5%



**3 NORTH ELEVATION**  
 SCALE: 1/8" = 1'-0"

SIGNAGE PERCENTAGE: 0%

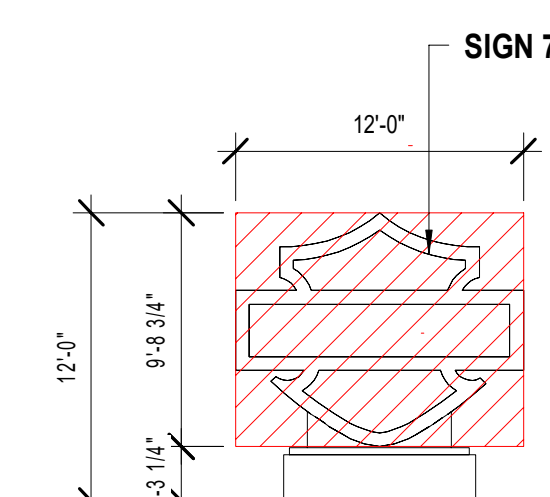


**4 WEST ELEVATION**  
 SCALE: 1/8" = 1'-0"

TOTAL ELEVATION: 3,970 S.F.  
 SIGN 4: 39.92 S.F.  
 SIGN 5: 6.00 S.F.  
 SIGN 6: 7.71 S.F.  
 SIGNAGE PERCENTAGE: 1.4%

**5 MONUMENT SIGN ELEVATION**  
 SCALE: 1/8" = 1'-0"

BOXED SQUARE FOOTAGE: 116.78 S.F.  
 TRACED SQUARE FOOTAGE: 72 S.F.  
 ACTUAL FACE SQUARE FOOTAGE: 35.70 S.F.



This drawing is the property of ARCHITECTURAL GROUP INTERNATIONAL and is not to be reproduced or copied in whole or in part. It is only to be used for the project and site specifically identified herein and is not to be used on any other project. It is to be returned upon request. Signs as shown herein are valid on the original drawing only. Contractor shall carefully review all dimensions and conditions shown herein and at once report to the Architect any error, inconsistency or omission he may discover.

Revisions:

Mark	Date	By	Description
△			
△			

**HARLEY - DAVIDSON**

OUTLAW H-D

LEE'S SUMMIT, MO

PROJECT # 230620

DATE ISSUED 12/18/2023

TITLE

SIGNAGE PERCENTAGE

SHEET

X2.5

NOT FOR CONSTRUCTION