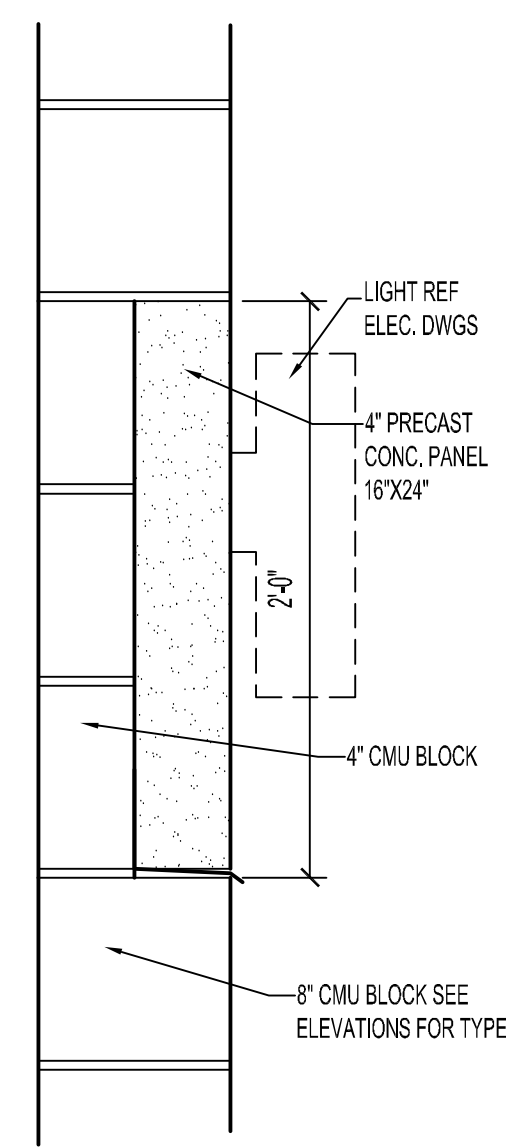
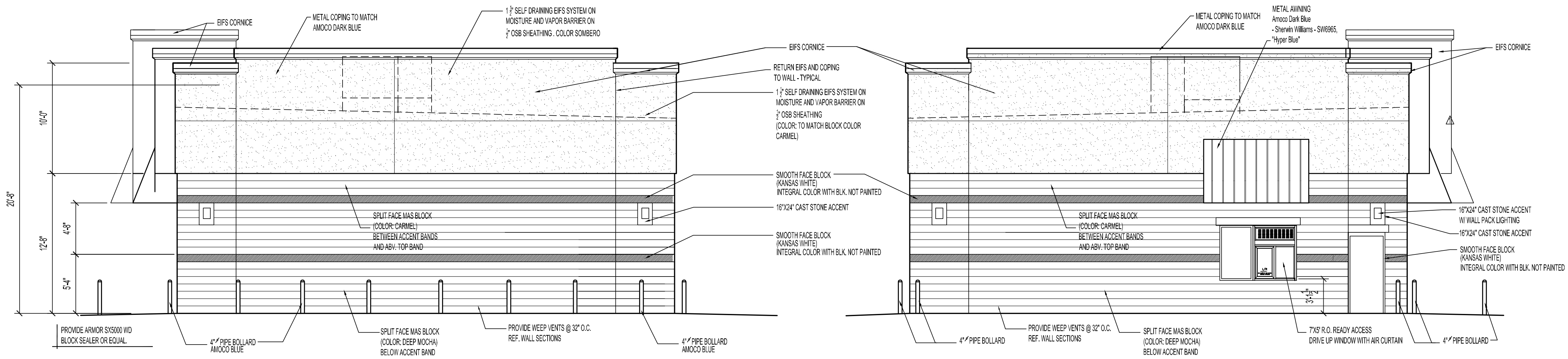




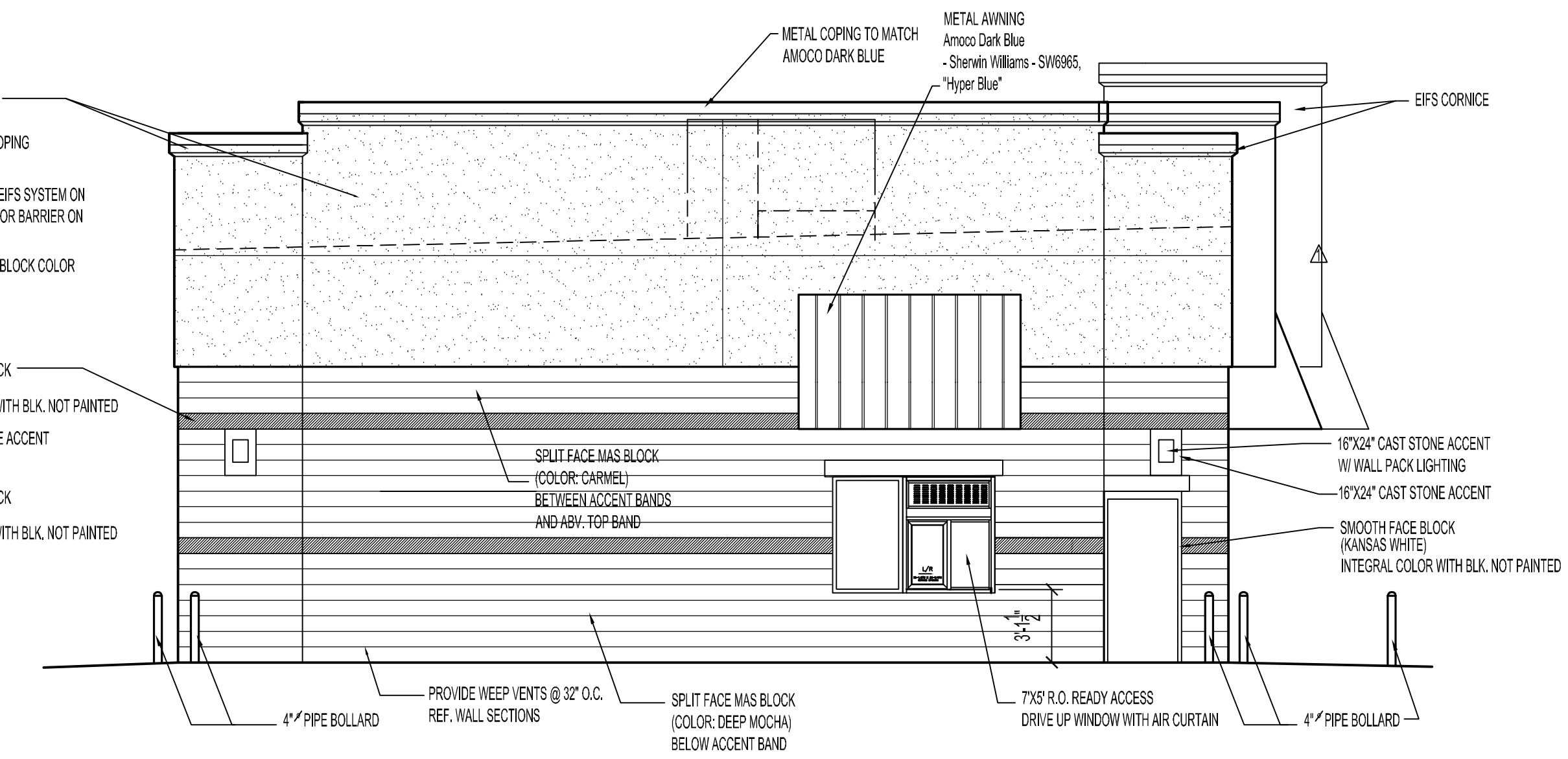
1 South Elevation
SCALE: 3/16"=1'



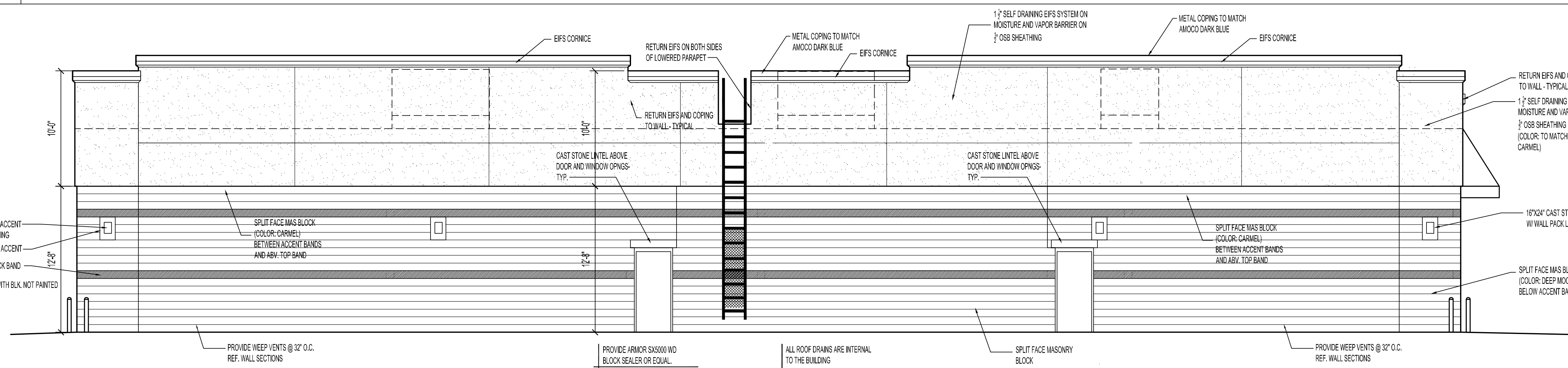
5 Precast Detail
SCALE: 1 1/2"=1'



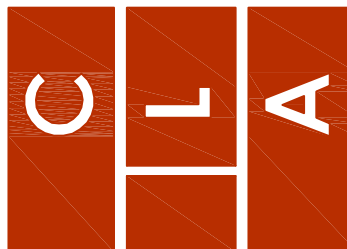
3 East Elevation
SCALE: 3/16"=1'



2 West Elevation
SCALE: 3/16"=1'



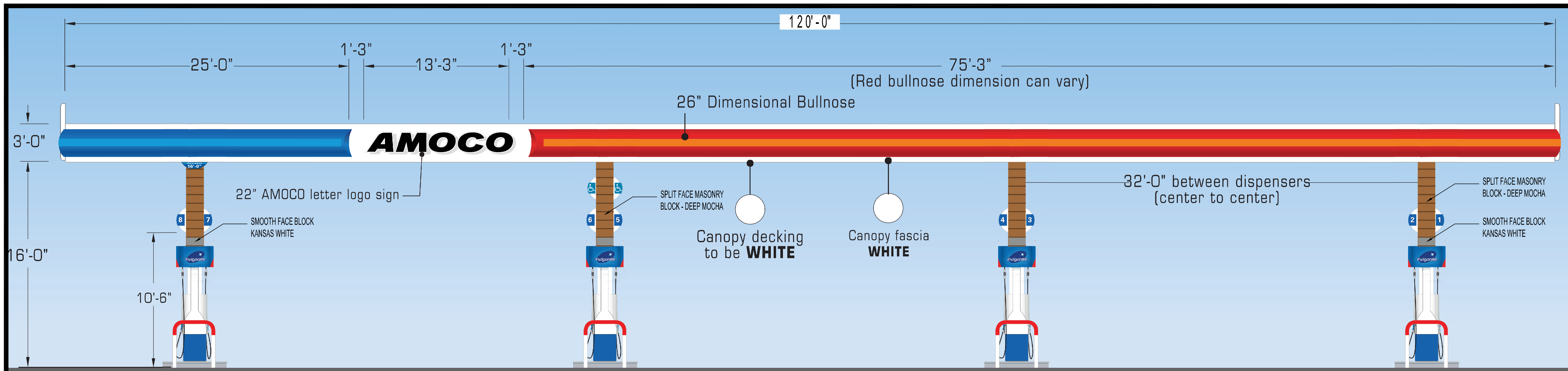
4 North Elevation
SCALE: 3/16"=1'



COPYRIGHT: CRAIG A LUEBERT, ARCHITECT, LLC 2020
Do not reproduce these drawings and specifications without express written permission of the Architect. The drawings and specifications are instruments of service and shall remain the property of the Craig A Luebert, Architect, LLC whether the project for which they are made is executed or not. These drawings and specifications shall not be used by anyone on any other project for additions to this project by others except by the express written permission of the Architect.

DATE ISSUED:	9.5.22
REVISIONS:	
	△ CITY COMMENTS - 6.8.22

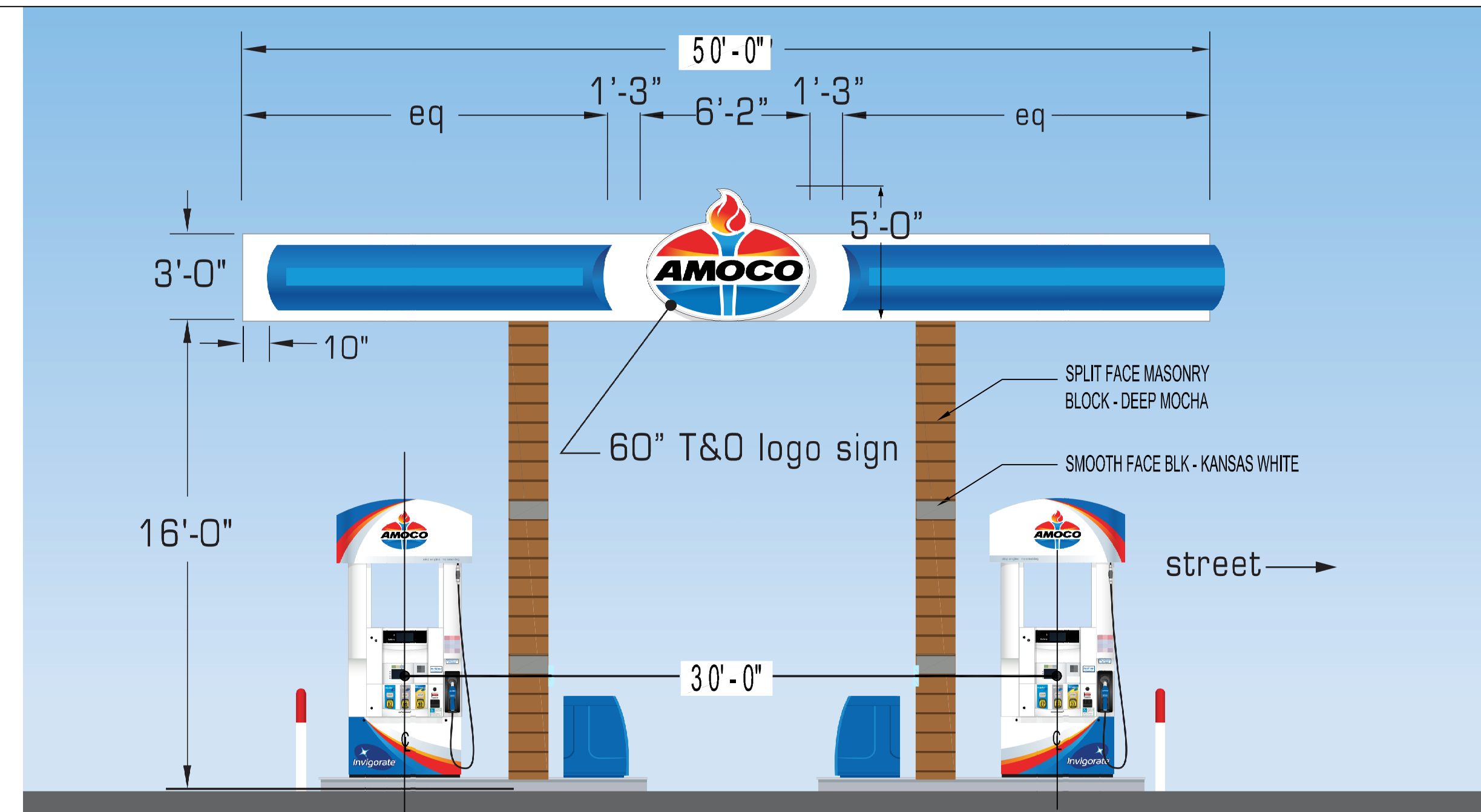
ARCHITECTURAL PROJECT NUMBER



1 Canopy Elevation
SCALE: NTS

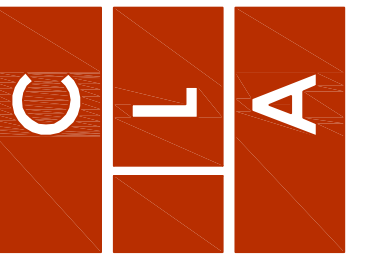
Canopy Colors

- CS White (Canopy Deck, Canopy Columns, Store Exterior)**
- Glidden Professional, Order #A0128, Spec #50GY 83/010, "White Wing"
- Sherwin Williams, SW7006, "Extra White"
- Benjamin Moore, CC-67, "Ice Mist" - P28 DTM (Gallon)
- Anchor Paint, BP White - 4900 (Acrylic), 900 (Oil)
- CS Amoco Red**
- Sherwin Williams, SW6669, "Stop"
- Glidden Professional, PPG Amoco Red (Custom Mix)
- CS BP Warm Gray - Pump Islands**
- Sherwin Williams, SW7063, "Adaptive Shade"
- Glidden Professional, Order #A1860, Spec #40YY 25/074, "Grey Mountain"
- Benjamin Moore, 2137-40, "Desert Twilight" - P28 DTM (Gallon)
- Anchor Paint, BP Warm Gray - CC3088 (Acrylic), CC3115 (Oil)
- CS Amoco Dark Blue**
- Sherwin Williams - SW6965, "Hyper Blue"
- Glidden Professional, PPG Amoco Blue (Custom Mix)
- CS Amoco Light Blue**
Pantone Process BlueC (C100 M13 Y0 K0)
- CS Amoco Silver**
Match PMS 877C



2 Canopy Elevation
SCALE: NTS

Craig Luebbert
Architecture



Development Drawings for:

HEARTLAND MARKET

Lee's Summit, MO.

COPYRIGHT: CRAIG A LUEBBERT, ARCHITECT, LLC 2020
Do not reproduce these drawings and specifications without express written permission of the Architect. The drawings and specifications are instruments of service and shall remain the property of the Craig A Luebbert, Architect, LLC whether the project for which they are made is executed or not. These drawings and specifications shall not be used by anyone on any other project for additions to this project by others except by the express written permission of the Architect.

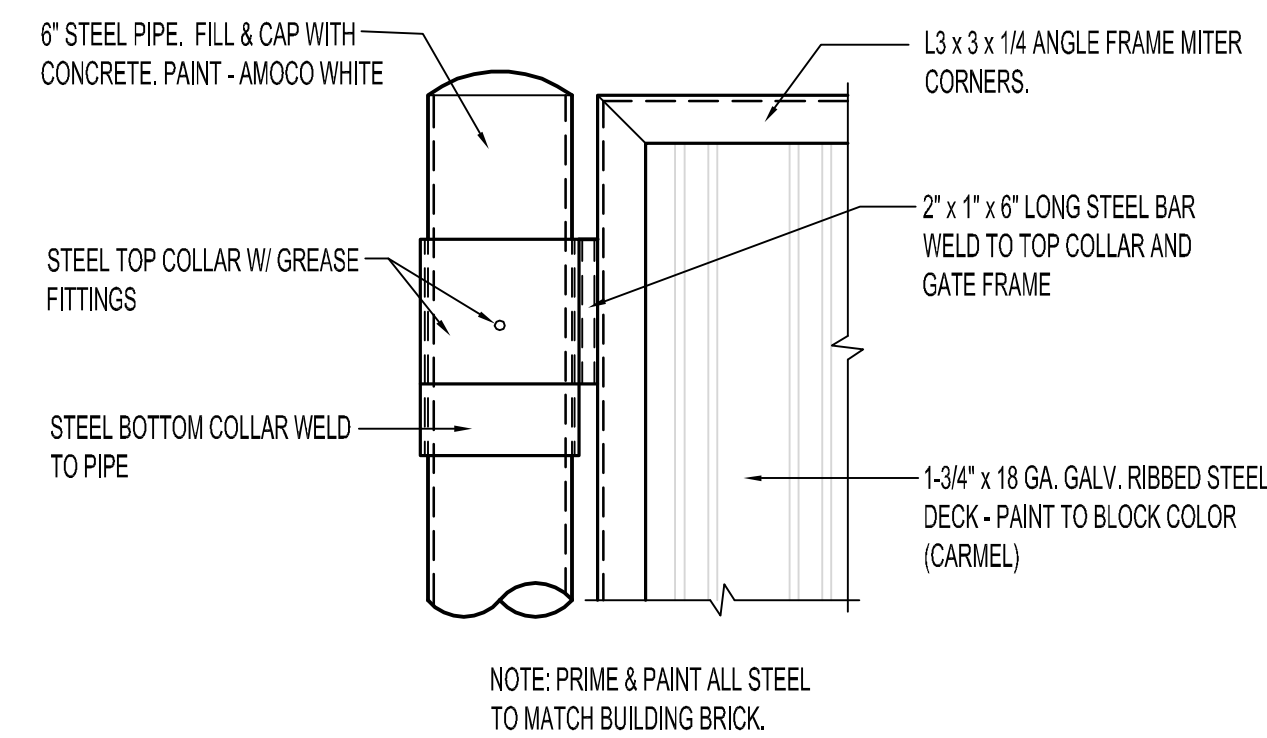
DATE ISSUED:
9.5.22

REVISIONS:

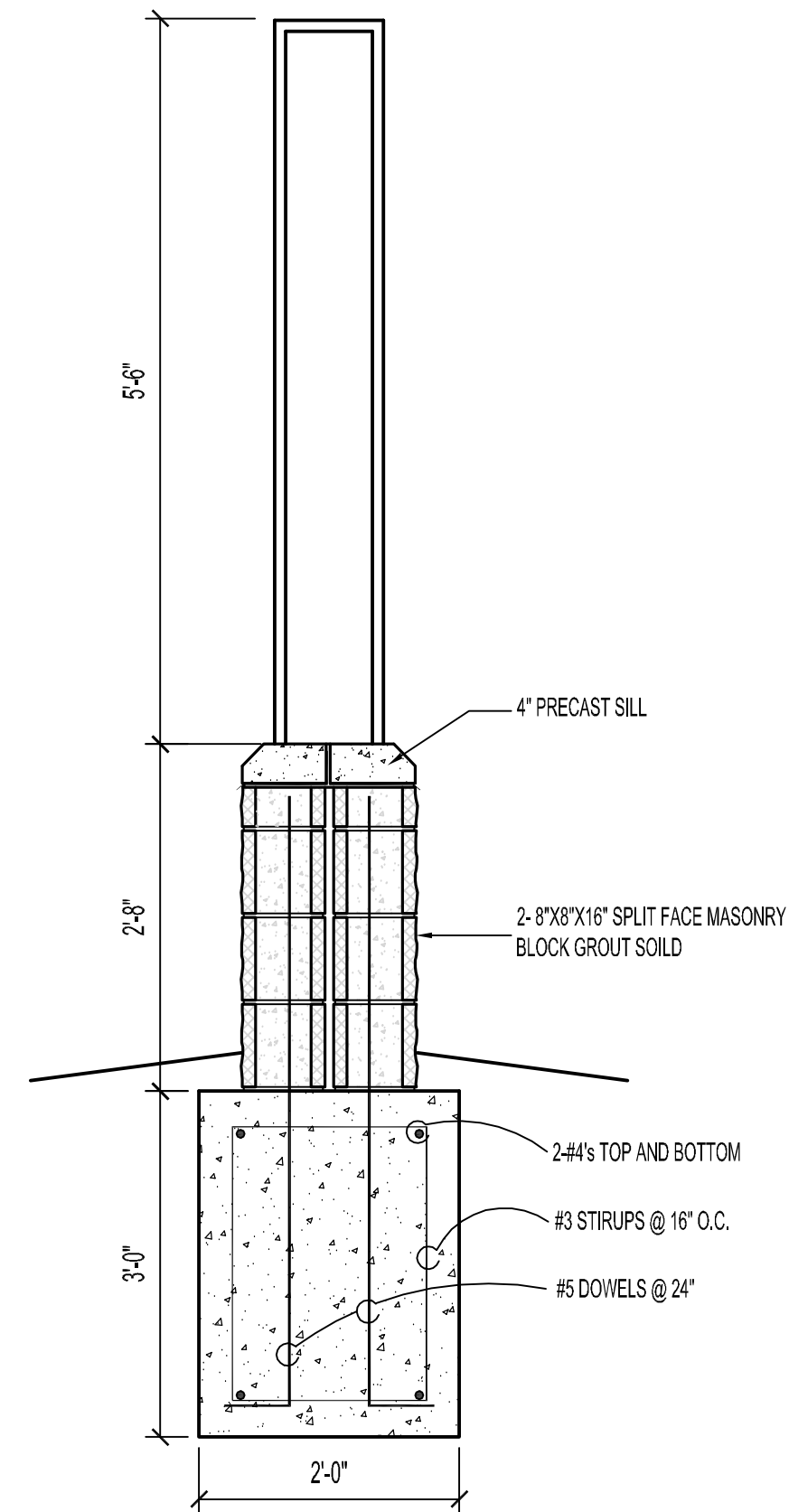
ARCHITECTURAL PROJECT NUMBER

SHEET NUMBER

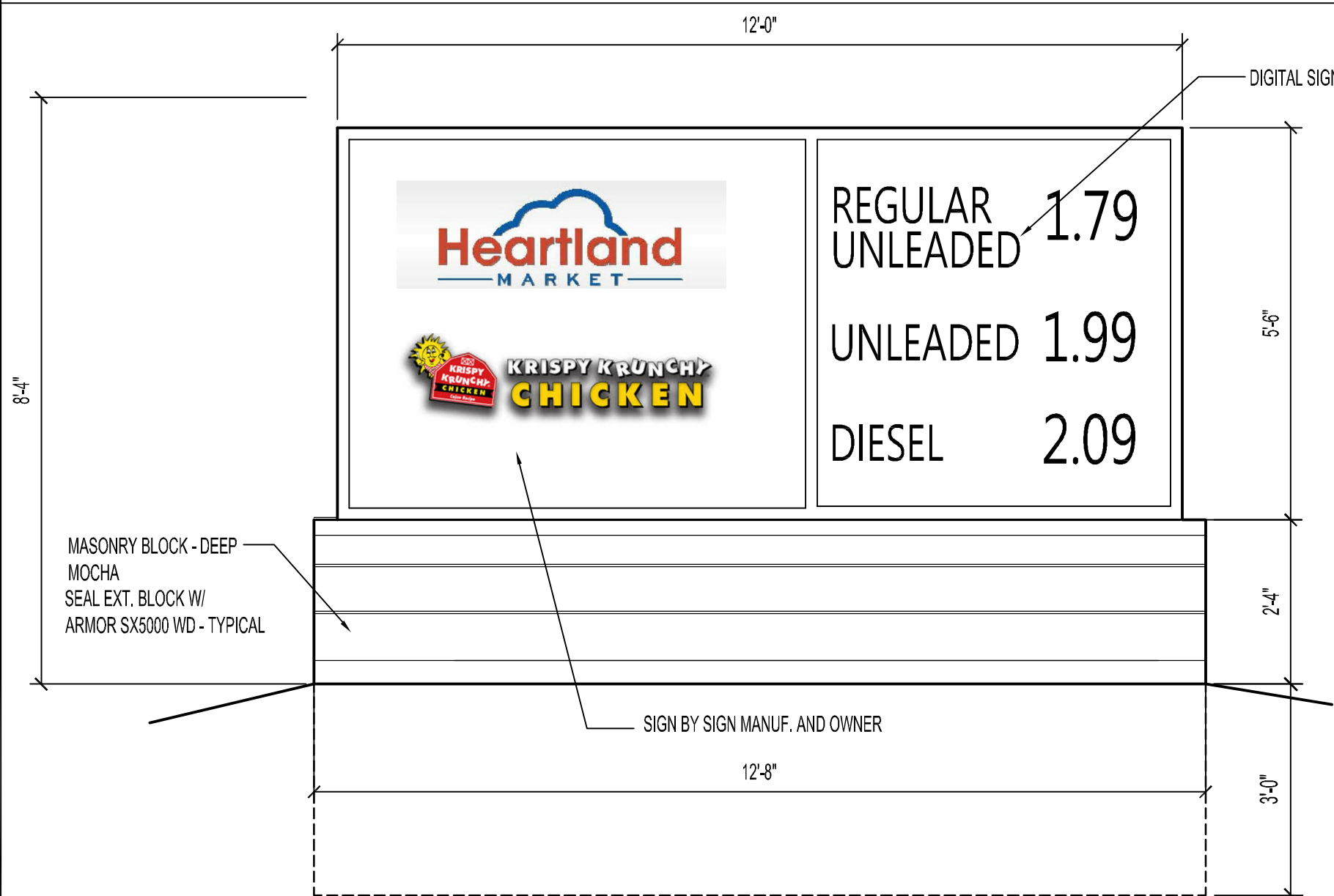
A201



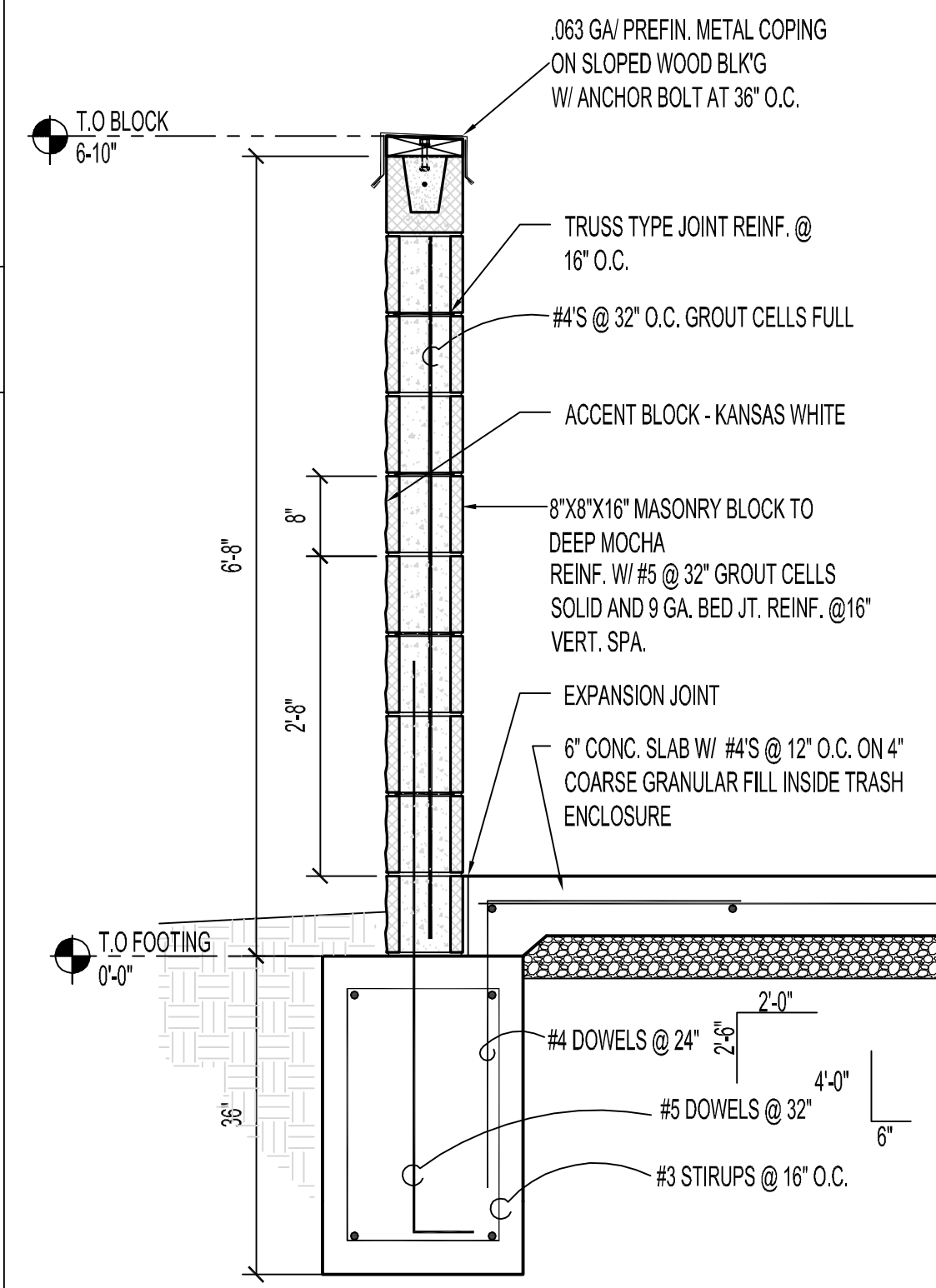
5 Gate Detail
SCALE: 1 1/2"=1'



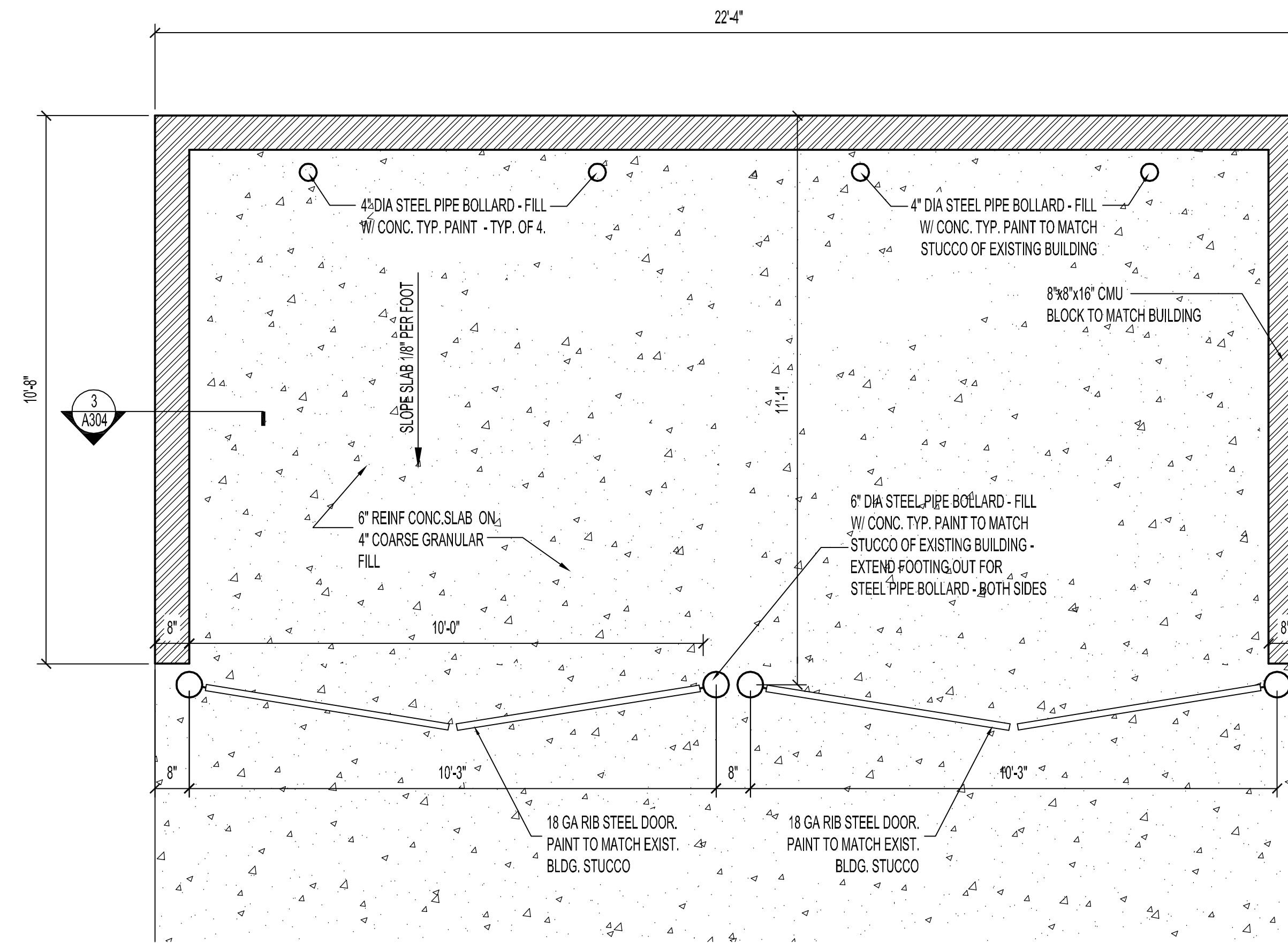
6 Monument Sign Section
SCALE: 3/4"=1'



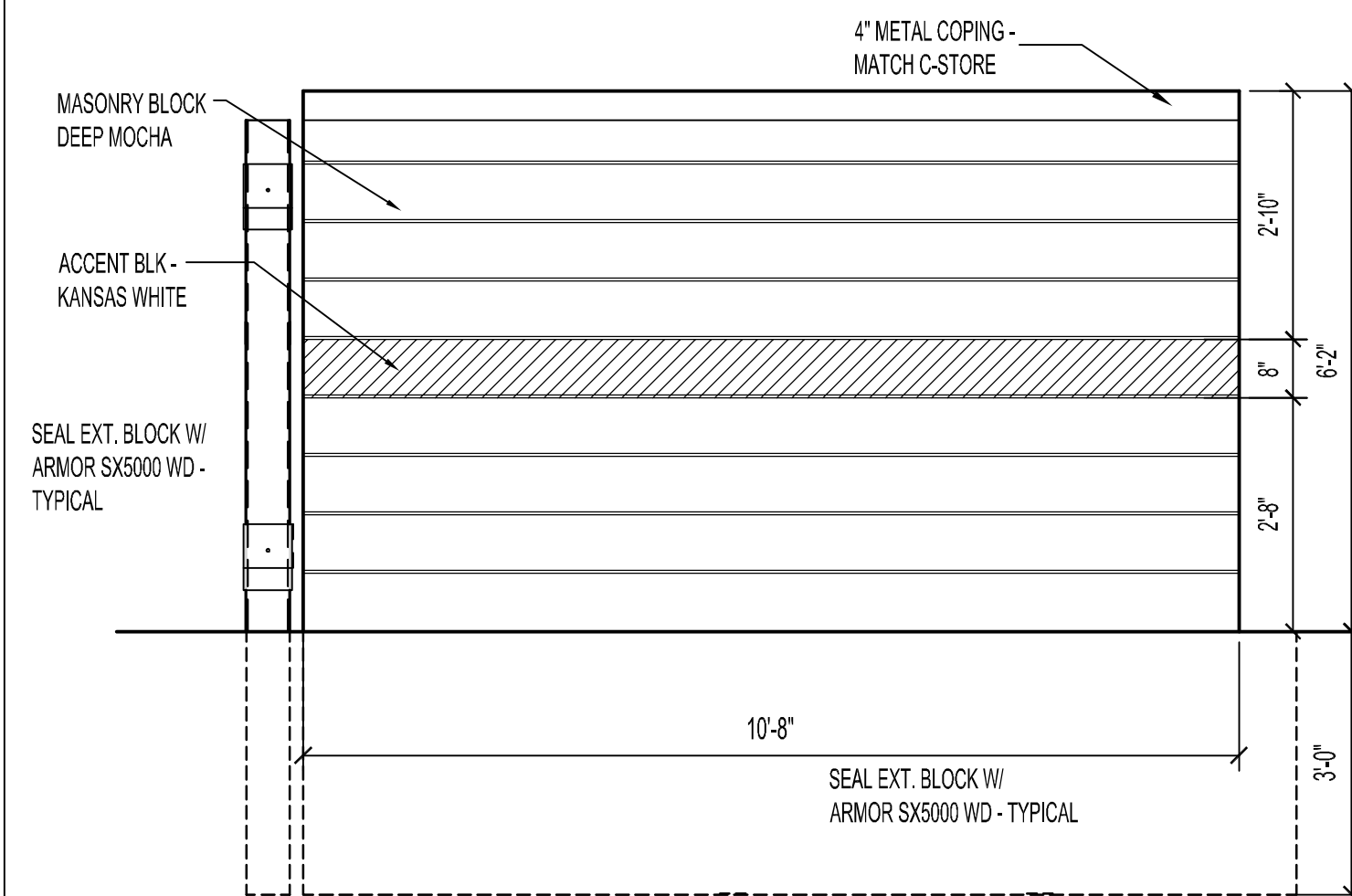
7 Monument Sign Elevation
SCALE: 1/2"=1'



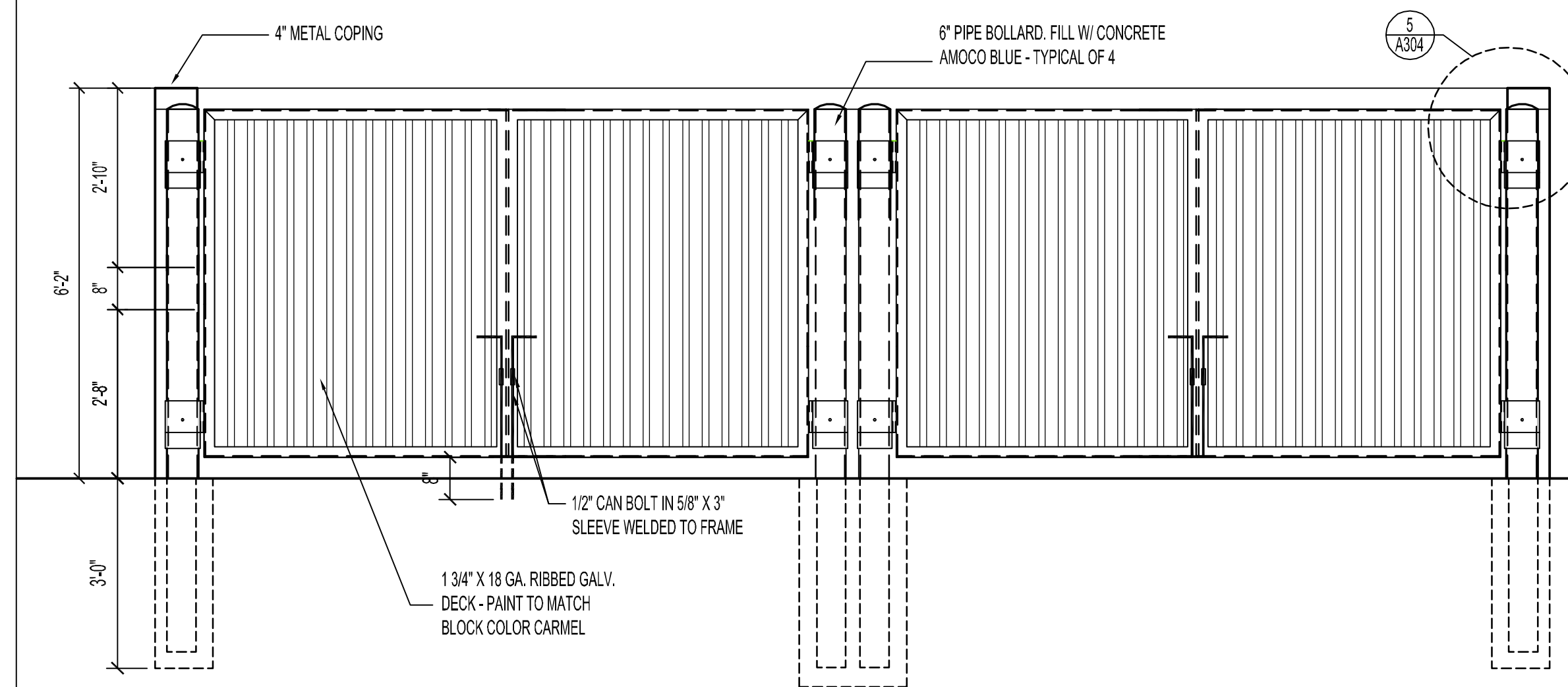
3 Trash Enclosure Section
SCALE: 3/4"=1'



1 Trash Enclosure Plan
SCALE: 1/2"=1'



4 Trash Enclosure Elevation - North / South
SCALE: 1/2"=1'



2 Trash Enclosure Elevation
SCALE: 1/2"=1'

