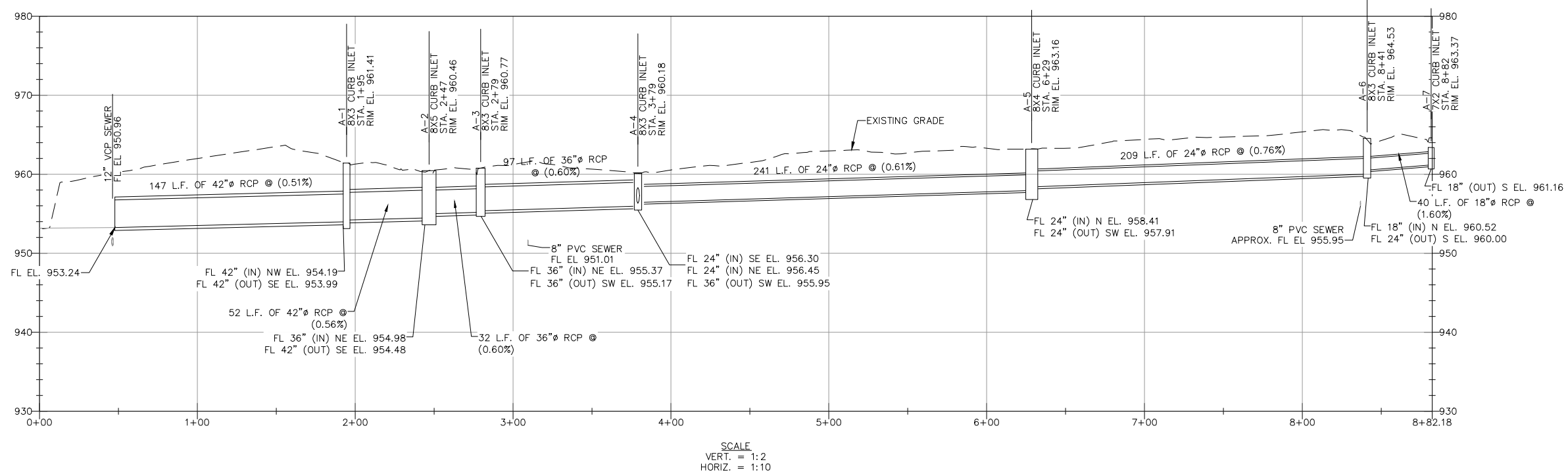
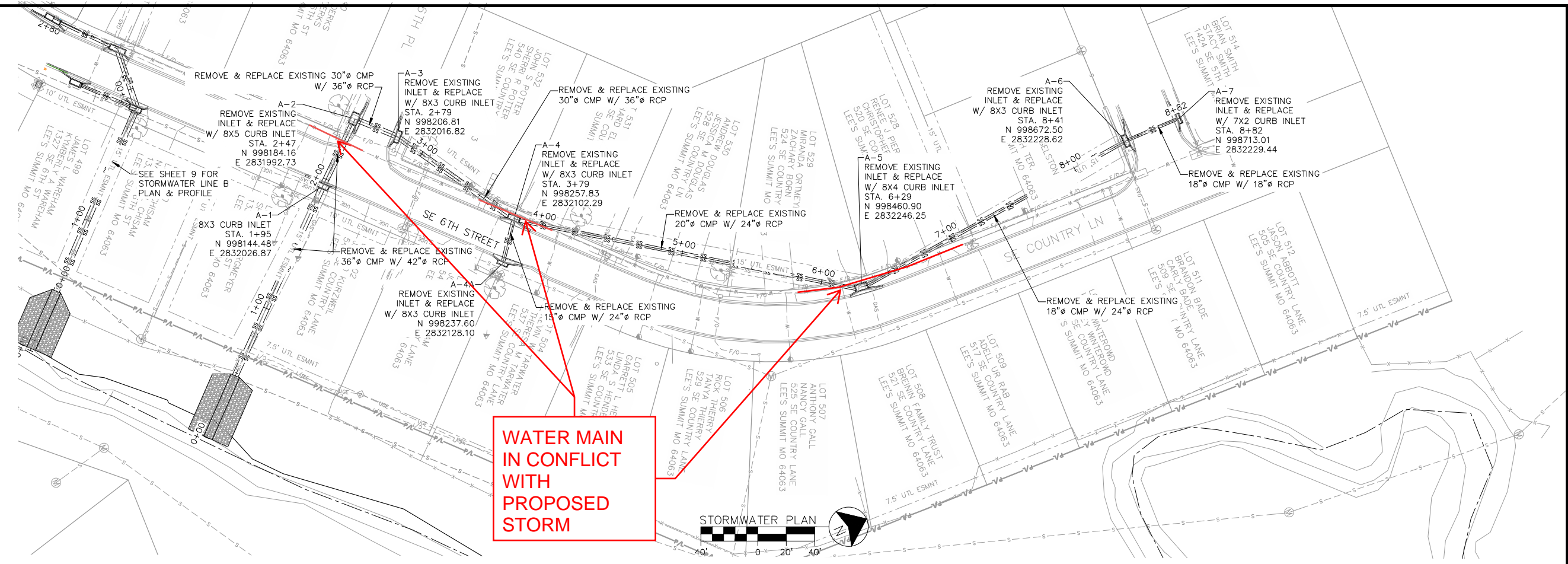


Z:\LEE'S SUMMIT MO\CITY OF LEE'S SUMMIT\STORMWATER_2021 EAST FORK OF LITTLE BLUE DRAWINGS\9 PROPOSED STORMWATER PLAN.DWG

GENERAL NOTES:

1. ALIGN EXISTING PIPES TO PROPOSED INLETS AS NECESSARY.
2. ALL DRIVEWAYS SHALL BE REPAIRED TO AN EXISTING CONTROL JOINT.



SCALE
VERT. = 1:2
HORIZ. = 1:10



ALLGEIER, MARTIN and ASSOCIATES, INC.
CONSULTING ENGINEERS and SURVEYORS
7231 EAST 24th STREET JOPLIN, MISSOURI 64804 (417) 680 - 7200

THIS DRAWING IS A DOCUMENT OF SERVICE AND IS THE PROPERTY OF ALLGEIER, MARTIN AND ASSOCIATES, INC. THIS DOCUMENT SHALL NOT BE USED ON THIS OR OTHER PROJECTS WITHOUT THE WRITTEN CONSENT OF ALLGEIER, MARTIN AND ASSOCIATES, INC.	
DATE	REVISION
CERTIFICATE OF AUTHORITY MISSOURI NO. 000427	

DWN. BY:	AWW
CKD. BY:	KEH
APPD. BY:	KEH
DATE:	10/14/2022

PROPOSED STORMWATER PLAN
EAST FORK LITTLE BLUE AREA 2 STORMWATER PROJECT
LEE'S SUMMIT, MISSOURI

DWG. NO.
9

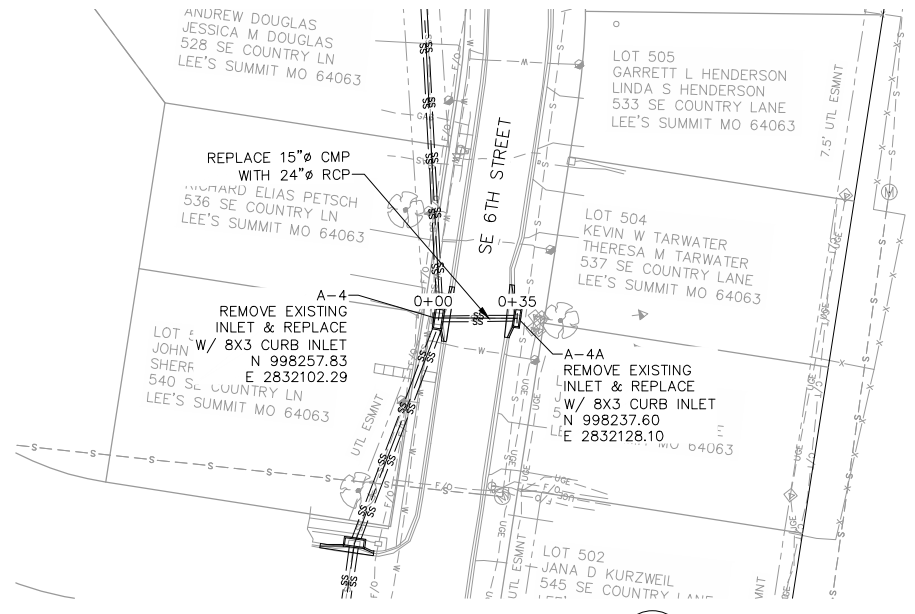
CIVIL ENGINEER: KURT E. HIGGINS
LICENSE NO. E-30041
PRELIMINARY
12/8/2022

Z:\LEE'S SUMMIT MO\CITY OF LEE'S SUMMIT\STORMWATER\2021 EAST FORK OF LITTLE BLUE\DRAWINGS\10 PROPOSED STORMWATER PLAN.DWG

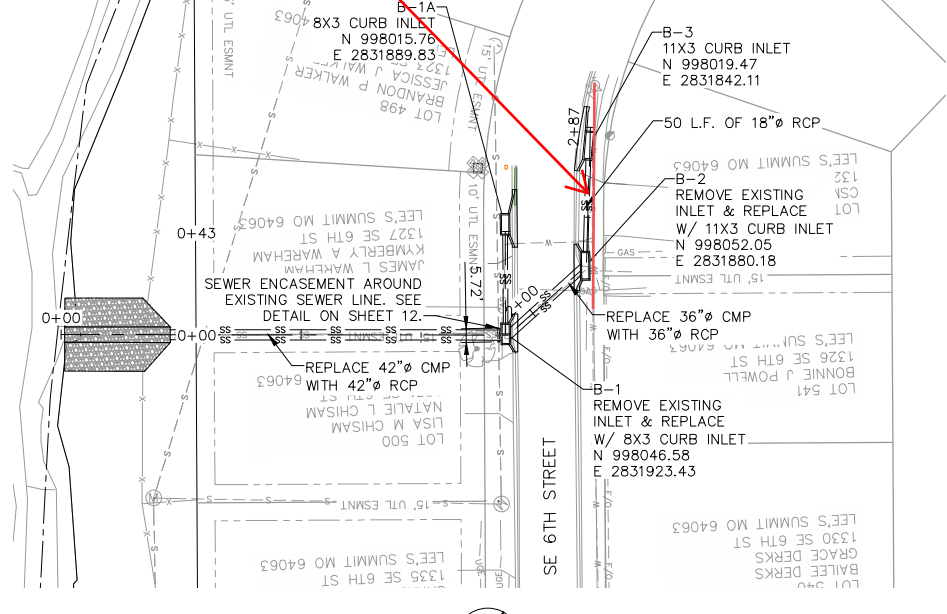
GENERAL NOTES:

1. ALIGN EXISTING PIPES TO PROPOSED INLETS AS NECESSARY.
2. ALL DRIVEWAYS SHALL BE REPAIRED TO AN EXISTING CONTROL JOINT.

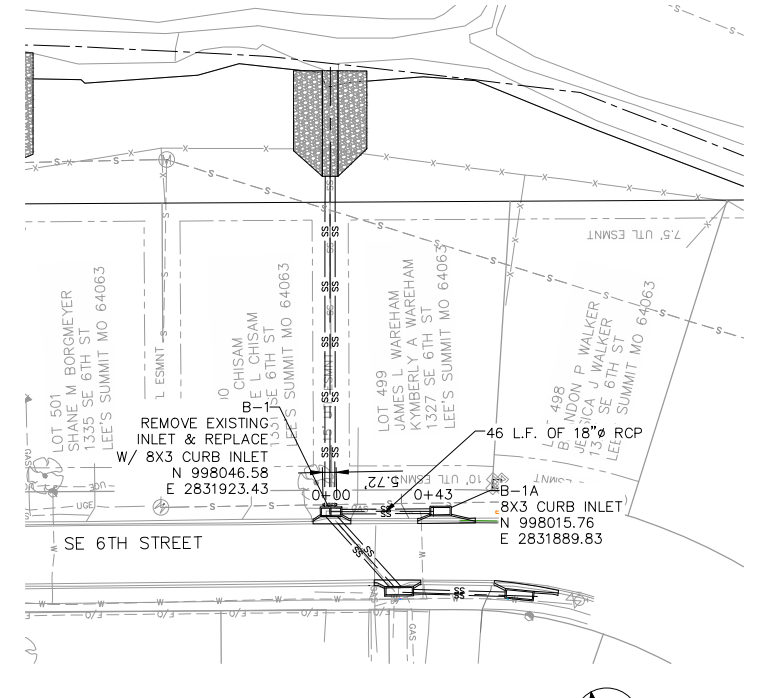
WATER MAIN IN CONFLICT WITH PROPOSED STORM



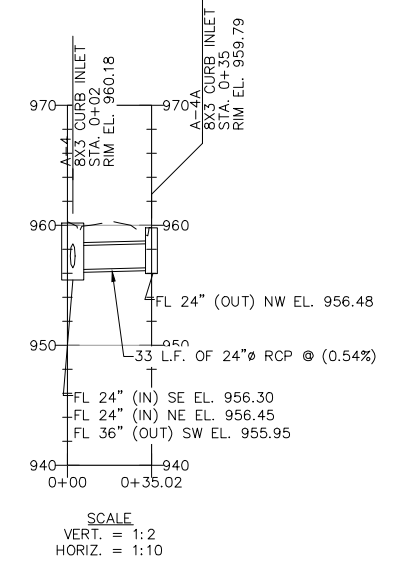
STORMWATER LINE A4-A4A PLAN
Scale: 1" = 40'



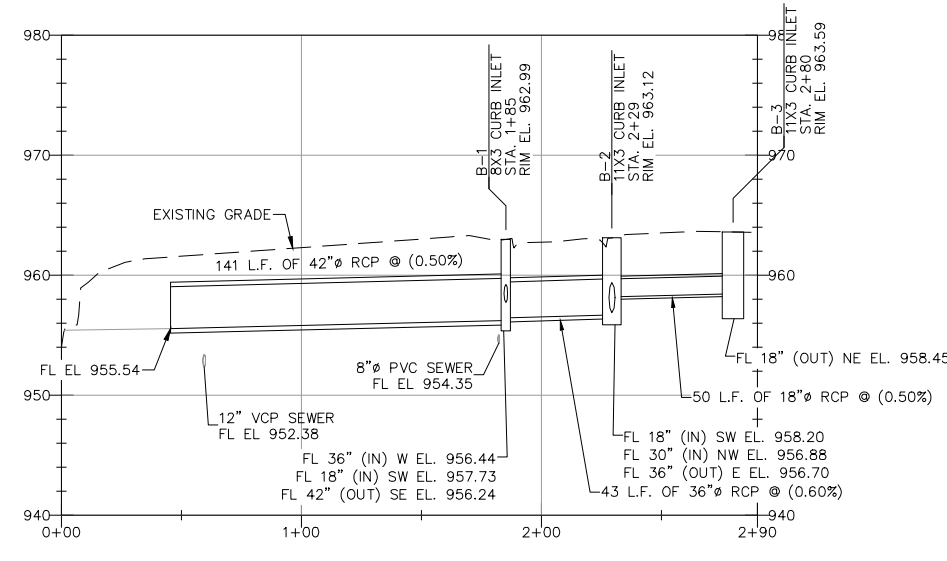
STORMWATER LINE B PLAN
Scale: 1" = 40'



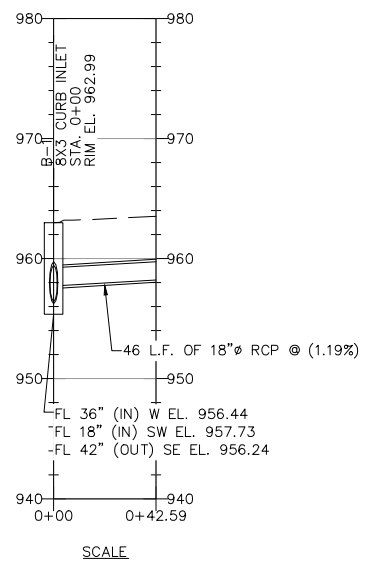
STORMWATER LINE B1-B1A PLAN
Scale: 1" = 40'



SCALE
VERT. = 1:2
HORIZ. = 1:10



SCALE
VERT. = 1:2
HORIZ. = 1:10



SCALE
VERT. = 1:2
HORIZ. = 1:10



ALLGEIER, MARTIN and ASSOCIATES, INC.
CONSULTING ENGINEERS and SURVEYORS
7231 EAST 24th STREET JOPLIN, MISSOURI 64804 (417) 680 - 7200

THIS DRAWING IS A DOCUMENT OF SERVICE AND IS THE PROPERTY OF ALLGEIER, MARTIN AND ASSOCIATES, INC. THIS DOCUMENT SHALL NOT BE USED ON THIS OR OTHER PROJECTS WITHOUT THE WRITTEN CONSENT OF ALLGEIER, MARTIN AND ASSOCIATES, INC.	
DATE	REVISION
CERTIFICATE OF AUTHORITY MISSOURI NO. 000427	
DWN. BY:	AWW
CKD. BY:	KEH
APPD. BY:	KEH
DATE:	10/14/2022

PROPOSED STORMWATER PLAN
EAST FORK LITTLE BLUE AREA 2 STORMWATER PROJECT
LEE'S SUMMIT, MISSOURI

DWG. NO.
10

CIVIL ENGINEER: KURT E. HIGGINS
LICENSE NO. E-30041
PRELIMINARY
12/8/2022