

1 NOTE:
 CONTRACTOR TO PROVIDE "KNOX BOX" 3200
 SERIES RAPID ENTRY SYSTEM IN ASSOCIATION
 WITH THE CITY OF LEE'S SUMMIT FIRE DEPT.
 CONTACT ASSISTANT FIRE MARSHALL JIM EDEN
 AT (816) 969-1303.

CARRIER:



PLANS PREPARED FOR:



PLANS PREPARED BY:

9900 West 109th Street, Suite 300
 Overland Park, Kansas 66210
 Phone: 913-438-7700
 Fax: 913-438-7777

ENGINEERING LICENSE:

STATE OF MISSOURI
 STATE CERTIFICATE OF AUTHORIZATION # EF
 ENGINEER: PER:
 MLO MICHAEL L. OWENS E-2312 STRUCTURAL/CIVIL SC
 KV KEVIN VANMAELE E-2312 STRUCTURAL/CIVIL SC
 REJ ROBERT E. JENSEN E-2312 STRUCTURAL/CIVIL SC
 TMS TERRY M. SUPER E-18521 ELECTRICAL E
 SDK SHELDON D. KEISLING E-27323 ELECTRICAL E

DRAWING NOTICE

THIS DRAWING HAS NOT BEEN PUBLISHED AND IS THE
 SOLE PROPERTY OF SSC, INC. AND IS LENT TO THE
 BORROWER FOR THEIR CONFIDENTIAL USE ONLY, AND IN
 CONSIDERATION OF THE LOAN OF THIS DRAWING, THE
 BORROWER PROMISES AND AGREES TO RETURN IT UPON
 REQUEST AND AGREES THAT IT WILL NOT BE
 REPRODUCED, COPIED, LENT OR OTHERWISE DISPOSED OF
 DIRECTLY OR INDIRECTLY, NOR USED FOR ANY PURPOSE
 OTHER THAN FOR WHICH IT IS FURNISHED.

SUBMITTALS

DESCRIPTION	DATE	BY	REV
ISSUED FOR ZONING	11/08/16	RAN	A
ISSUED FOR ZONING	08/11/17	RKT	B

MLA NAME & SITE NUMBER:

SE BLUE PKWY
 MO-07000

CARRIER NAME & SITE NUMBER

SE BLUE PKWY
 A5C0464A

SITE ADDRESS:

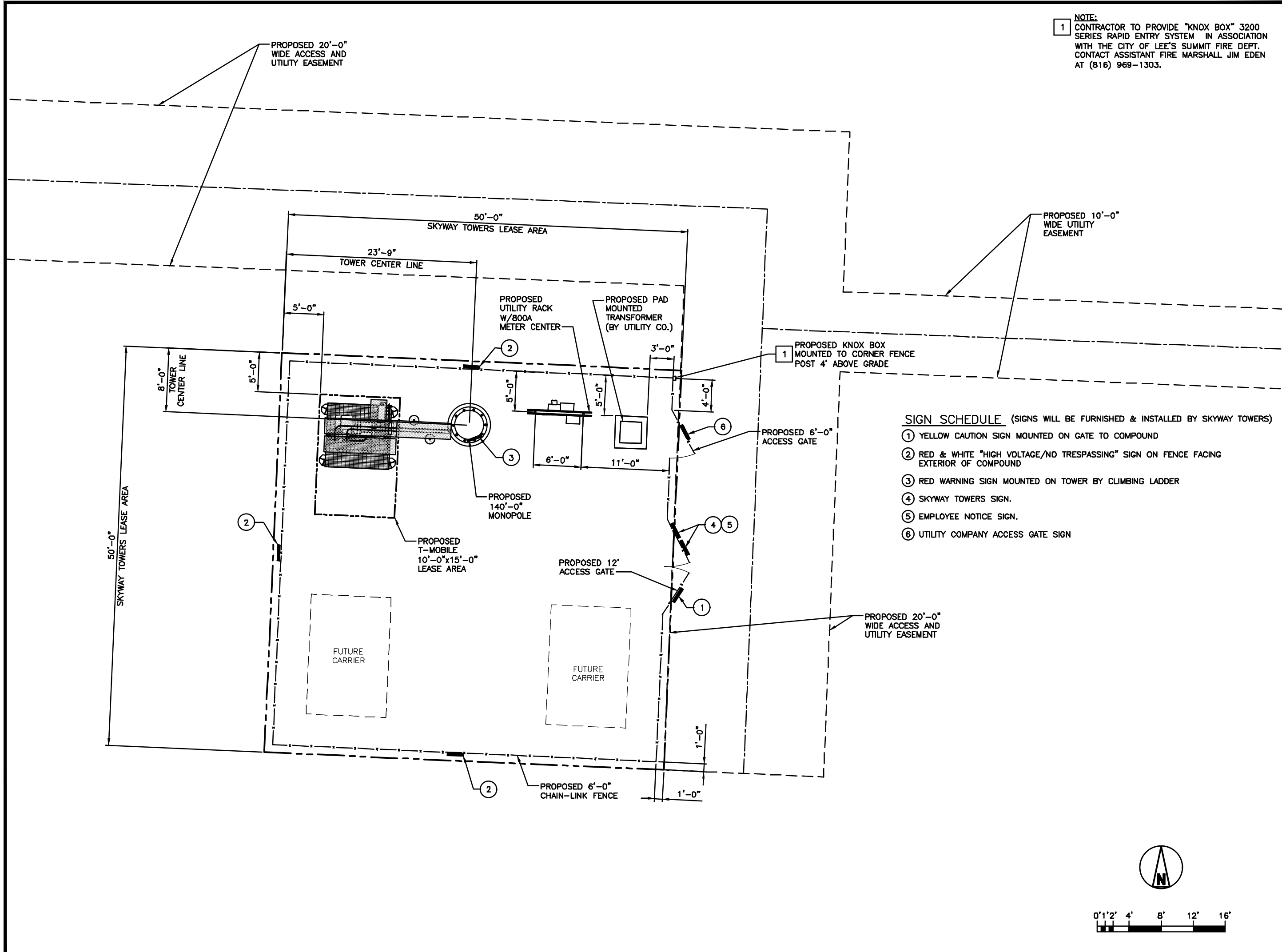
465 SE OLDHAM PKWY
 LEE'S SUMMIT, MISSOURI
 64081

SHEET DESCRIPTION:

ENLARGED SITE PLAN

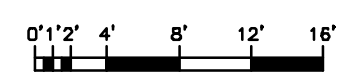
SHEET NUMBER:

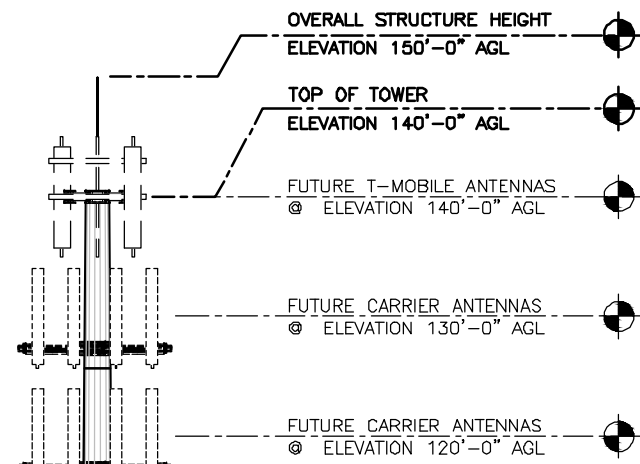
C-1.1



SIGN SCHEDULE (SIGNS WILL BE FURNISHED & INSTALLED BY SKYWAY TOWERS)

- ① YELLOW CAUTION SIGN MOUNTED ON GATE TO COMPOUND
- ② RED & WHITE "HIGH VOLTAGE/NO TRESPASSING" SIGN ON FENCE FACING EXTERIOR OF COMPOUND
- ③ RED WARNING SIGN MOUNTED ON TOWER BY CLIMBING LADDER
- ④ SKYWAY TOWERS SIGN.
- ⑤ EMPLOYEE NOTICE SIGN.
- ⑥ UTILITY COMPANY ACCESS GATE SIGN





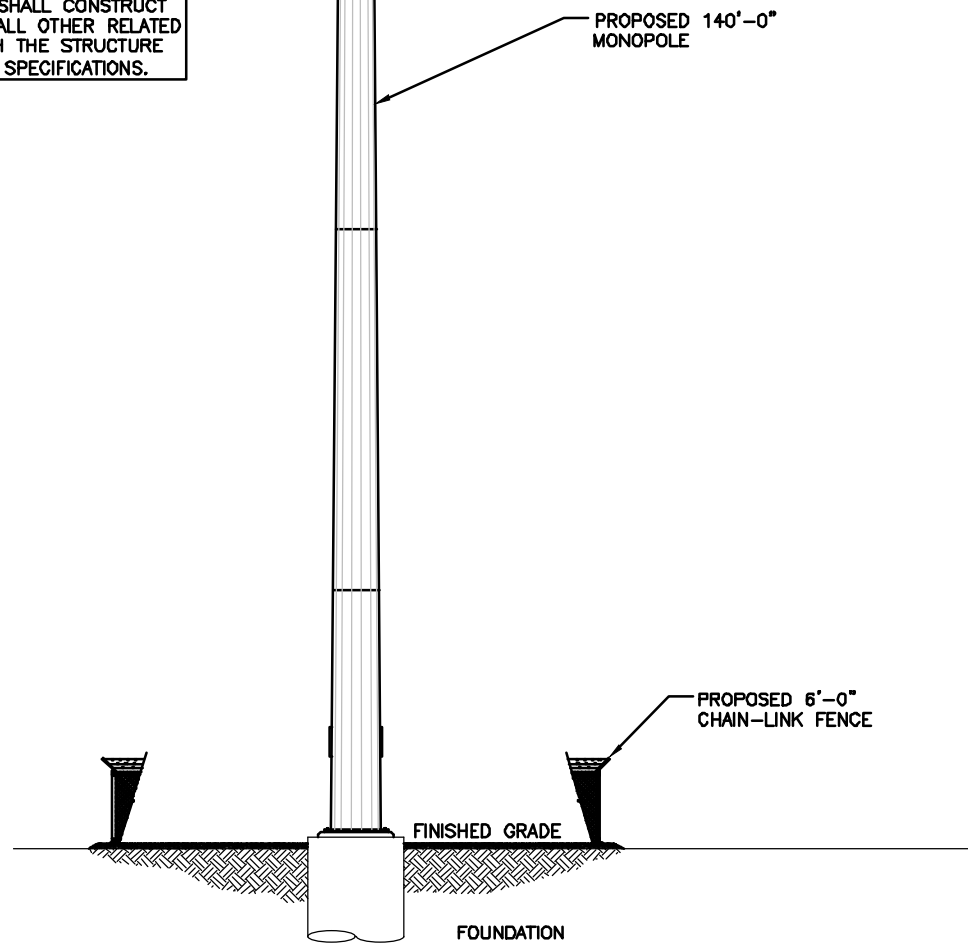
NOTE:

1. ALL TOWER INFORMATION SHOWN IS FOR ILLUSTRATION PURPOSES ONLY, AND MAY DIFFER FROM THE FINAL DESIGN PROVIDED BY THE TOWER MANUFACTURER. THE CONTRACTOR SHALL CONSTRUCT THE TOWER, GUY WIRES, FOOTINGS, AND ALL OTHER RELATED COMPONENTS IN ACCORDANCE WITH THE TOWER MANUFACTURER'S DRAWINGS AND SPECIFICATIONS.
2. THE CONTRACTOR SHALL DOCUMENT THE AS-BUILT CONDITION OF THE TOWER.

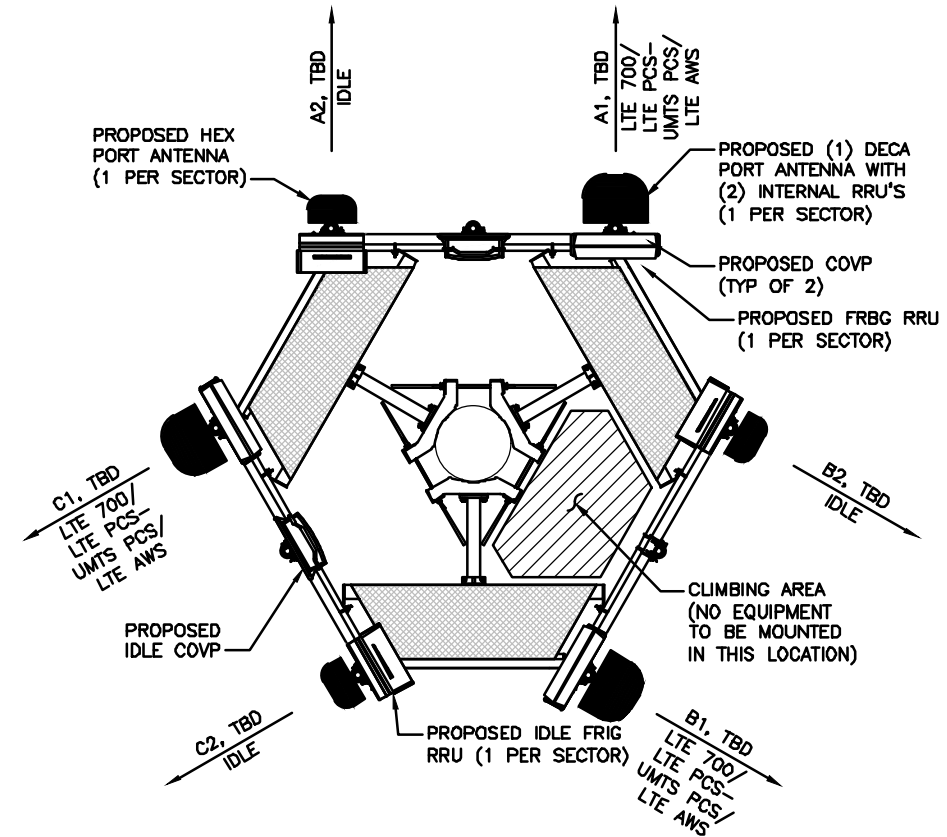
NOTE:

ALL INFORMATION ON THIS PAGE IS PROVIDED BY SKYWAY TOWERS AND/OR OTHERS AND IS SHOWN FOR ILLUSTRATIVE PURPOSES ONLY. CONTRACTOR SHALL CONTACT THE SKYWAY TOWERS CONSTRUCTION MANAGER PRIOR TO CONSTRUCTION FOR ALL DETAILED ANTENNA, MOUNT, AND COAX CABLE INFORMATION.

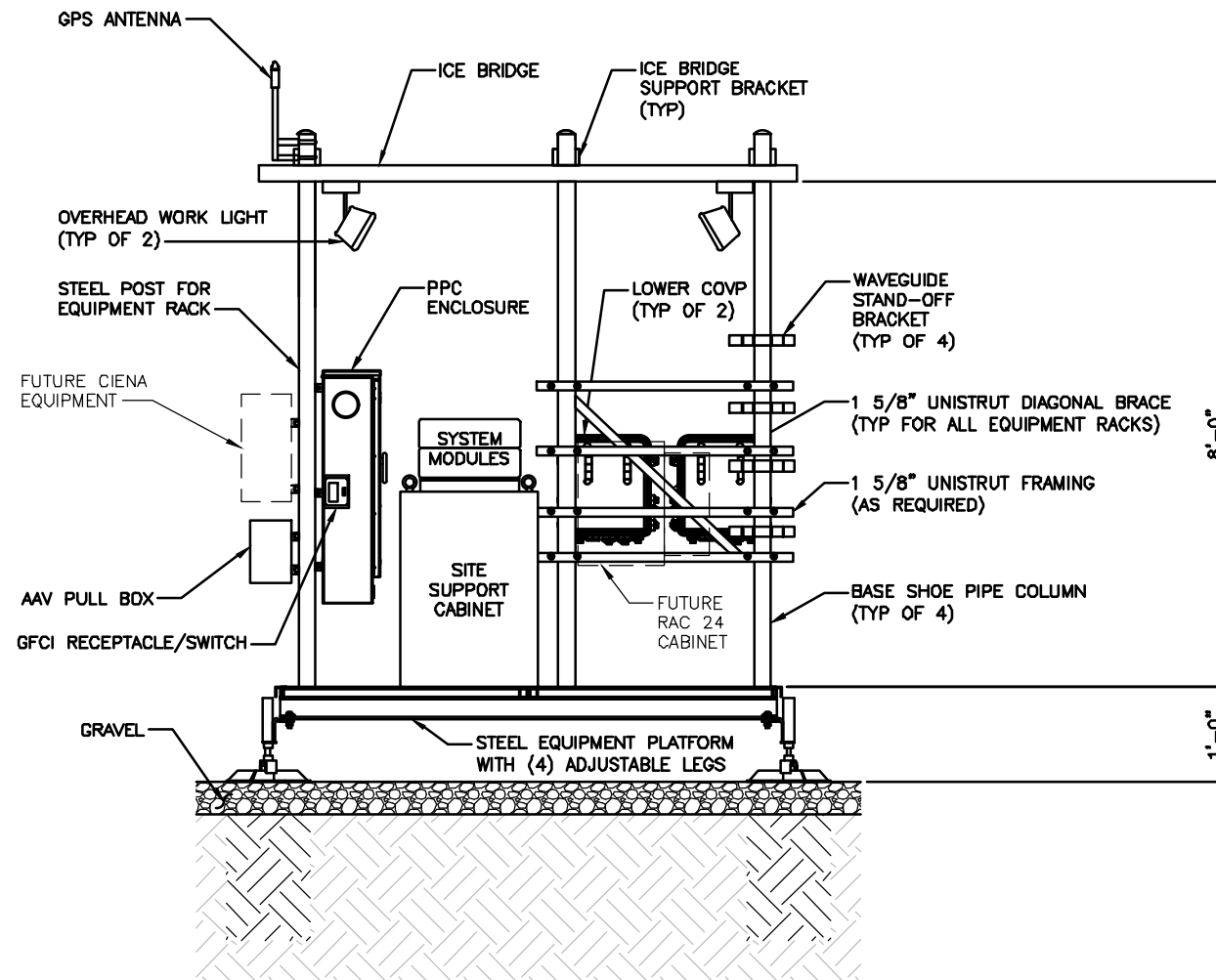
ALL STRUCTURE INFORMATION SHOWN IS FOR ILLUSTRATION PURPOSES ONLY, AND MAY DIFFER FROM THE FINAL DESIGN PROVIDED BY THE STRUCTURE MANUFACTURER. THE CONTRACTOR SHALL CONSTRUCT THE STRUCTURE, FOUNDATION, AND ALL OTHER RELATED COMPONENTS IN ACCORDANCE WITH THE STRUCTURE MANUFACTURER'S DRAWINGS AND SPECIFICATIONS.



TOWER ELEVATION



ANTENNA PLAN



EQUIPMENT PLATFORM ELEVATION



PLANS PREPARED BY:
 9900 West 109th Street, Suite 300
 Overland Park, Kansas 66210
 Phone: 913-438-7700
 Fax: 913-438-7777

ENGINEERING LICENSE:
 STATE OF MISSOURI
 STATE CERTIFICATE OF AUTHORIZATION # EE-000000000
 ENGINEER: PER:
 MLO MICHAEL L. OWENS E-22974 STRUCTURAL/CIVIL SC
 KV KEVIN VANMAELE E-22974 STRUCTURAL/CIVIL SC
 REJ ROBERT E. JENSEN E-22974 STRUCTURAL/CIVIL SC
 TMS TERRY M. SUPER E-18521 ELECTRICAL E
 SDK SHELDON D. KEISLING E-27323 ELECTRICAL E

DRAWING NOTICE
 THIS DRAWING HAS NOT BEEN PUBLISHED AND IS THE SOLE PROPERTY OF SSC, INC. AND IS LENT TO THE BORROWER FOR THEIR CONFIDENTIAL USE ONLY, AND IN CONSIDERATION OF THE LOAN OF THIS DRAWING, THE BORROWER PROMISES AND AGREES TO RETURN IT UPON REQUEST AND AGREES THAT IT WILL NOT BE REPRODUCED, COPIED, LENT OR OTHERWISE DISPOSED OF DIRECTLY OR INDIRECTLY, NOR USED FOR ANY PURPOSE OTHER THAN FOR WHICH IT IS FURNISHED.

SUBMITTALS

DESCRIPTION	DATE	BY	REV
ISSUED FOR ZONING	11/08/16	RAH	A
ISSUED FOR ZONING	08/11/17	RKT	B

MLA NAME & SITE NUMBER:
SE BLUE PKWY
MO-07000

CARRIER NAME & SITE NUMBER
SE BLUE PKWY
A5C0464A

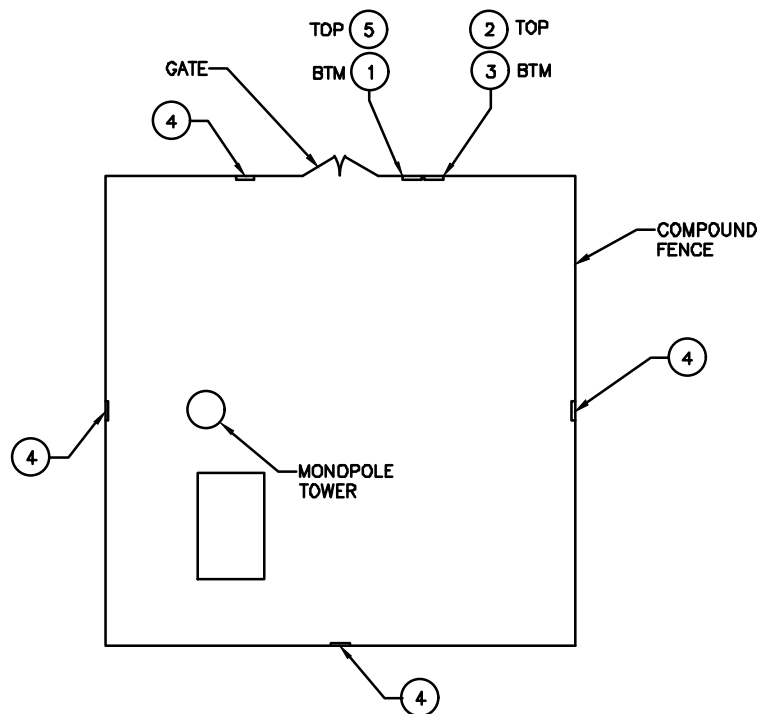
SITE ADDRESS:
 465 SE OLDHAM PKWY
 LEE'S SUMMIT, MISSOURI
 64081

SHEET DESCRIPTION:
EQUIPMENT ELEVATIONS
& ANTENNA PLAN

SHEET NUMBER:
C-2.0

PRELIMINARY ISSUE

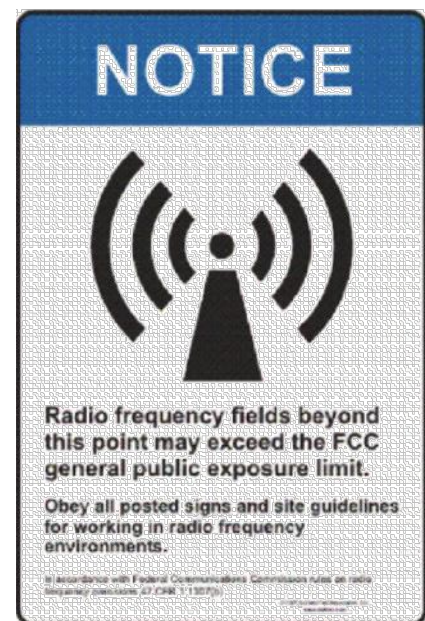
(SIGNS WILL BE FURNISHED & INSTALLED BY SKYWAY TOWERS)



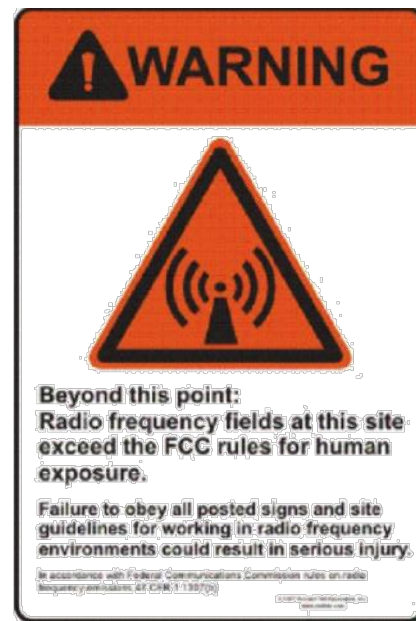
NOTE: SEE TYPICAL SIGNS AND SPECIFICATIONS DETAIL ON THIS SHEET FOR SIGN DESIGNATIONS.

OVERALL SIGN PLACEMENT

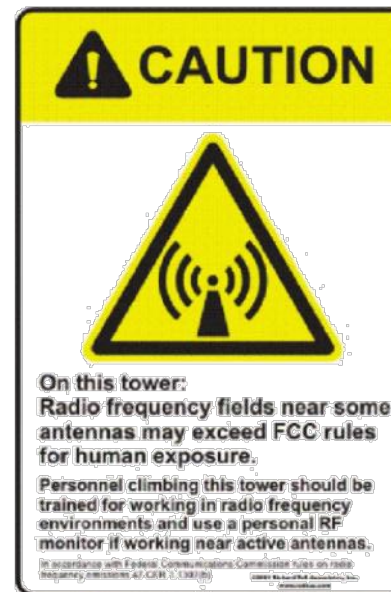
3



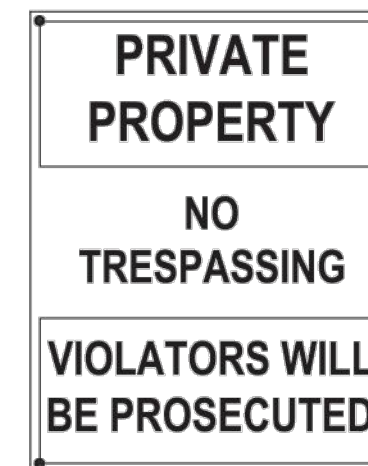
① NOTICE - RF SIGN (BLUE)
12" x 18" DIGITAL PRINT MOUNTED TO 0.40 THICK ALUMINUM (OPERATIONS PROVIDED)



② WARNING - RF SIGN
12" x 18" DIGITAL PRINT MOUNTED TO 0.40 THICK ALUMINUM (OPERATIONS PROVIDED)



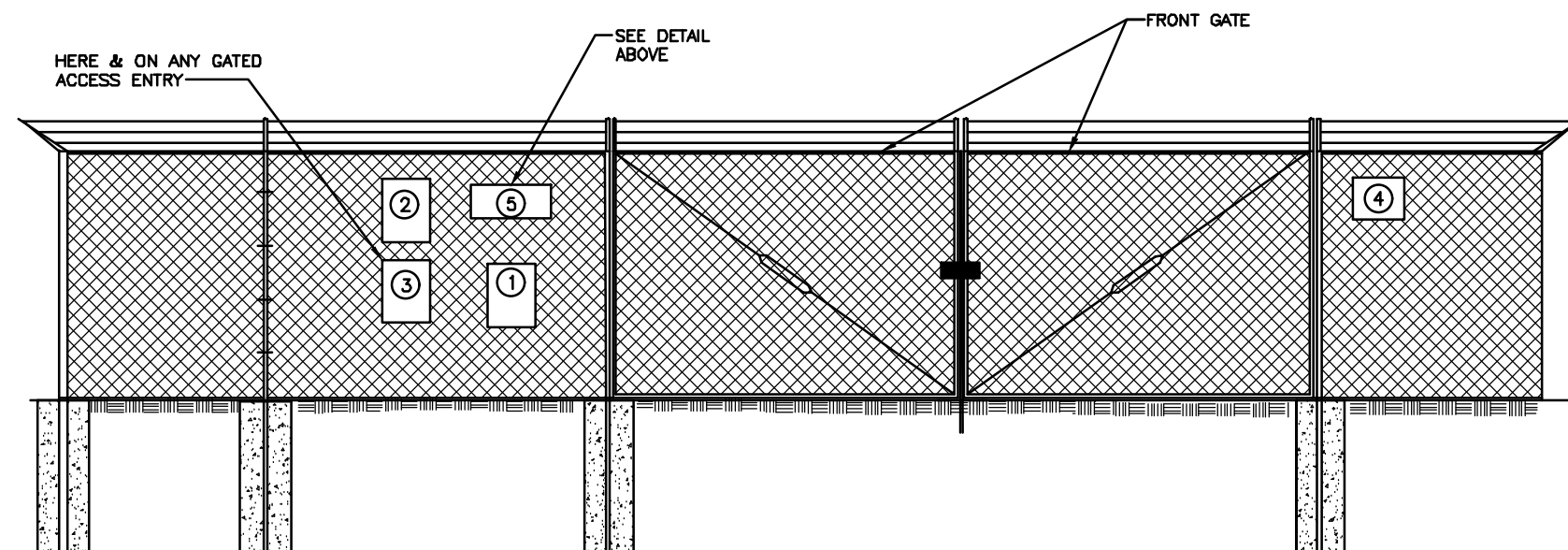
③ CAUTION - RF SIGN (YELLOW)
12" x 18" DIGITAL PRINT MOUNTED TO 0.40 THICK ALUMINUM (OPERATIONS PROVIDED)



④ NO-TRESPASSING SIGN
12" x 18" DIGITAL PRINT MOUNTED TO 0.40 THICK ALUMINUM (OPERATIONS PROVIDED)

TYPICAL SIGNS & SPECIFICATIONS

1



SIGNAGE NOTES:
1. SIGNS SHALL BE FABRICATED FROM CORROSION RESISTANT PRESSED METAL, AND PAINTED WITH LONG LASTING UV RESISTANT COATINGS.
2. SIGNS (EXCEPT WHERE NOTED OTHERWISE) SHALL BE MOUNTED TO THE TOWER, GATE, AND FENCE USING A MINIMUM OF 9 GAUGE ALUMINUM WIRE, HOG RINGS (AS UTILIZED IN FENCE INSTALLATIONS) OR BRACKETS WHERE NECESSARY. BRACKETS SHALL BE OF SIMILAR METAL AS THE STRUCTURE TO AVOID GALVANIC CORROSION.

SITE SIGNAGE FRONT GATE VIEW

2

CARRIER: **T-Mobile**

PLANS PREPARED FOR: **SKYWAY TOWERS**

PLANS PREPARED BY: **SSC**
9900 West 109th Street, Suite 300
Overland Park, Kansas 66210
Phone: 913-438-7700
Fax: 913-438-7777

ENGINEERING LICENSE:
STATE OF MISSOURI
STATE CERTIFICATE OF AUTHORIZATION # EF
ENGINEER: PER:
MLO MICHAEL L. OWENS E-27323 STRUCTURAL/CIVIL SC
KV KEVIN VANMAELE E-27323 STRUCTURAL/CIVIL SC
REJ ROBERT E. JENSEN E-27323 STRUCTURAL/CIVIL SC
TMS TERRY M. SUPER E-18521 ELECTRICAL E
SDK SHELDON D. KEISLING E-27323 ELECTRICAL E

DRAWING NOTICE
THIS DRAWING HAS NOT BEEN PUBLISHED AND IS THE SOLE PROPERTY OF SSC, INC. AND IS LENT TO THE BORROWER FOR THEIR CONFIDENTIAL USE ONLY, AND IN CONSIDERATION OF THE LOAN OF THIS DRAWING, THE BORROWER PROMISES AND AGREES TO RETURN IT UPON REQUEST AND AGREES THAT IT WILL NOT BE REPRODUCED, COPIED, LENT OR OTHERWISE DISPOSED OF DIRECTLY OR INDIRECTLY, NOR USED FOR ANY PURPOSE OTHER THAN FOR WHICH IT IS FURNISHED.

DESCRIPTION	DATE	BY	REV
ISSUED FOR ZONING	11/08/16	RAN	A
ISSUED FOR ZONING	08/11/17	RKT	B

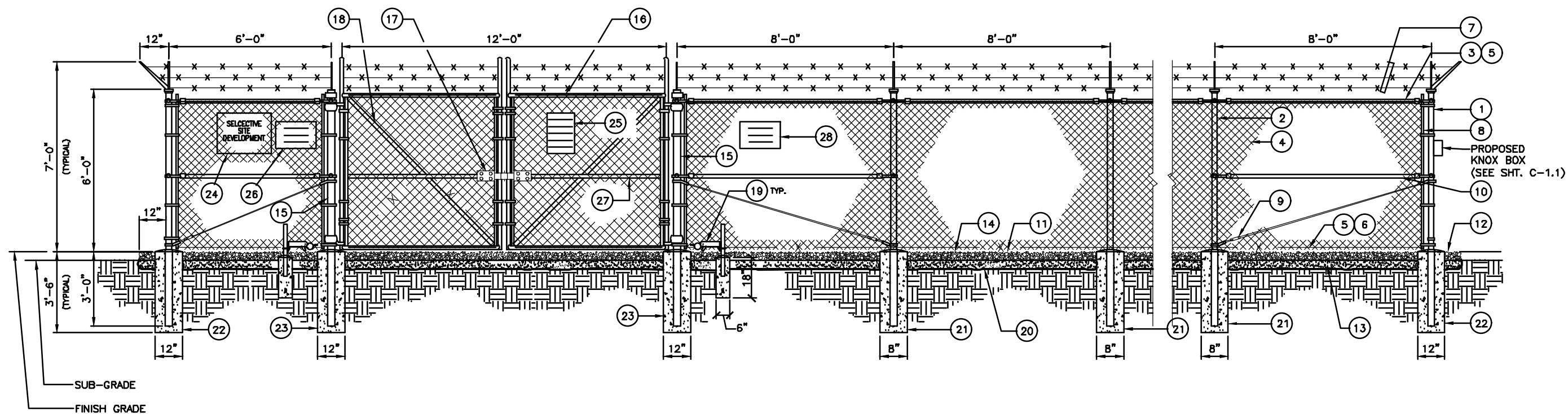
MLA NAME & SITE NUMBER:
SE BLUE PKWY MO-07000

CARRIER NAME & SITE NUMBER:
SE BLUE PKWY A5C0464A

SITE ADDRESS:
465 SE OLDHAM PKWY LEE'S SUMMIT, MISSOURI 64081

SHEET DESCRIPTION:
SITE SIGNAGE DETAILS

SHEET NUMBER:
C-2.1



REFERENCE NOTES:

- ① CORNER, END OR PULL POST: 3" NOMINAL SCHEDULE 40 PIPE.
- ② LINE POST: 2 1/2" SCHEDULE 40 PIPE, PER ASTM-F1083. LINE POSTS SHALL BE EQUALLY SPACED AT MAXIMUM 8'-0" O.C.
- ③ TOP RAIL & BRACE RAIL: 1 1/2" PIPE, PER ASTM-F1083.
- ④ FABRIC: 9 GA CORE WIRE SIZE 2" MESH, CONFORMING TO ASTM-A392.
- ⑤ TIE WIRE: MINIMUM 11 GA GALVANIZED STEEL AT POSTS AND RAILS. A SINGLE WRAP OF FABRIC TIE AND AT TENSION WIRE BY HOG RINGS SPACED MAX. 24" INTERVALS.
- ⑥ TENSION WIRE: 9 GA. GALVANIZED STEEL.
- ⑦ BARBED WIRE: DOUBLE STRAND 12-1/2" O.D. TWISTED WIRE TO MATCH WITH FABRIC 14 GA, 4 PT. BARBS SPACED ON APPROXIMATELY 5" CENTERS.
- ⑧ STRETCHER BAR.
- ⑨ 3/8" DIAGONAL ROD WITH GALVANIZED STEEL TURNBUCKLE OR DIAGONAL THREADED ROD.
- ⑩ FENCE CORNER POST BRACE: 1 5/8" DIA. EACH CORNER EACH WAY.
- ⑪ 1 1/2" MAXIMUM CLEARANCE FROM GRADE.
- ⑫ 2" FINISH A.E.G. OR AS DETERMINED BY CONSTRUCTION MANAGER DURING BID WALK.
- ⑬ 4" COMPACTED 95% # STRUCTURES, 90% ELSEWHERE, BASE MATERIAL OR AS DETERMINED BY CONSTRUCTION MANAGER DURING BID WALK.
- ⑭ FINISH GRADE SHALL BE UNIFORM AND LEVEL.

- ⑮ GATE POST: 4" SCHEDULE 40 PIPE, FOR GATE WIDTHS UP THRU 7 FEET OR 14 FEET FOR DOUBLE SWING GATE, PER ASTM-F1083.
- ⑯ GATE FRAME: 1 1/2" PIPE, PER ASTM-F1083.
- ⑰ "MTS" MULTI-LOCKING DEVICE #MT-C6477, OR EQUAL.
- ⑱ GATE DIAGONAL GALVANIZED STEEL 1 1/2" PIPE.
- ⑲ DUCK BILL OPEN GATE HOLDER. VERIFY LOCATION IN FIELD PRIOR TO INSTALLATION.
- ⑳ GEOTEXTILE FABRIC.
- ㉑ LINE POST: CONCRETE FOUNDATION (2000 PSI)
- ㉒ CORNER POST: CONCRETE FOUNDATION (2000 PSI)
- ㉓ GATE POST: CONCRETE FOUNDATION (2000 PSI)
- ㉔ 18" x 24" SELECTIVE SITE DEVELOPMENT SIGN
- ㉕ 12" x 18" YELLOW CAUTION SIGN
- ㉖ 12" x 18" EMPLOYEE NOTICE SIGN
- ㉗ GATE FRAME BRACE: 1 5/8" DIAMETER.
- ㉘ 12" x 18" DANGER HIGH VOLTAGE/NO TRESPASSING SIGN (TYPICAL ALL SIDES OF FENCED COMPOUND)

GENERAL NOTES:

1. INSTALL FENCING PER ASTM F-567
2. INSTALL SWING GATES PER ASTM F- 900
3. LOCAL ORDINANCE OF BARBED WIRE PERMIT REQUIREMENT SHALL BE COMPLIED IF REQUIRED.
4. POST & GATE PIPE SIZES ARE INDUSTRY STANDARDS. ALL PIPE TO BE 1 1/2" GALV. (HOT DIP, ASTM A120 GRADE "A" STEEL). ALL GATE FRAMES SHALL BE WELDED. ALL WELDING SHALL BE COATED WITH (3) COATS OF COLD GALV. (OR EQUAL).
5. ALL OPEN POSTS SHALL HAVE END-CAPS.
6. USE GALVANIZED HOG-RING WIRE TO MOUNT ALL SIGNS.
7. ALL SIGNS MUST BE MOUNTED ON INSIDE OF FENCE FABRIC.

CARRIER:



PLANS PREPARED FOR:



PLANS PREPARED BY:

9900 West 109th Street, Suite 300
 Overland Park, Kansas 66210
 Phone: 913-438-7700
 Fax: 913-438-7777

ENGINEERING LICENSE:
 STATE OF MISSOURI
 STATE CERTIFICATE OF AUTHORIZATION # EF
 ENGINEER: PER:
 MLO MICHAEL L. OWENS E-2274 STRUCTURAL/CIVIL SC
 KV KEVIN VANMAELE E-2274 STRUCTURAL/CIVIL SC
 REJ ROBERT E. JENSEN E-2274 STRUCTURAL/CIVIL SC
 TMS TERRY M. SUPER E-18521 ELECTRICAL E
 SDK SHELDON D. KEISLING E-27323 ELECTRICAL E

DRAWING NOTICE
 THIS DRAWING HAS NOT BEEN PUBLISHED AND IS THE SOLE PROPERTY OF SSC, INC. AND IS LENT TO THE BORROWER FOR THEIR CONFIDENTIAL USE ONLY, AND IN CONSIDERATION OF THE LOAN OF THIS DRAWING, THE BORROWER PROMISES AND AGREES TO RETURN IT UPON REQUEST AND AGREES THAT IT WILL NOT BE REPRODUCED, COPIED, LENT OR OTHERWISE DISPOSED OF DIRECTLY OR INDIRECTLY, NOR USED FOR ANY PURPOSE OTHER THAN FOR WHICH IT IS FURNISHED.

ISSUED FOR ZONING	DESCRIPTION	DATE	BY	REV
		11/08/16	RAN	A
		08/11/17	RKT	B

MLA NAME & SITE NUMBER:
**SE BLUE PKWY
 MO-07000**

CARRIER NAME & SITE NUMBER:
**SE BLUE PKWY
 A5C0464A**

SITE ADDRESS:
 465 SE OLDHAM PKWY
 LEE'S SUMMIT, MISSOURI
 64081

SHEET DESCRIPTION:
**COMPOUND FENCE
 DETAILS**

SHEET NUMBER:
C-3.0