

SIGN A	6'-0" HomeGoods Sign
Sign Type:	Individual Front Lit Channel Letters w/ self-contained Power Supplies
Illumination:	Internally Illuminated LED
Square Footage:	187.61
SIGN C	6'-0" HomeGoods Sign
Sign Type:	Individual Front Lit Channel Letters w/ self-contained Power Supplies
Illumination:	Internally Illuminated LED
Square Footage:	187.61

Sign "C"



Sign Layout Detail

Scale: 3/16" = 1'-0"

Note: All letters are to be constructed as individual pieces. There will be no connected letters. They will butt up against each other to appear as one.

Electrical Detail:

Red LEDs
 (X) 60w Power Supplies
 Total Amps: X.XX
 (1) 20 amp 120V Circuit Req.



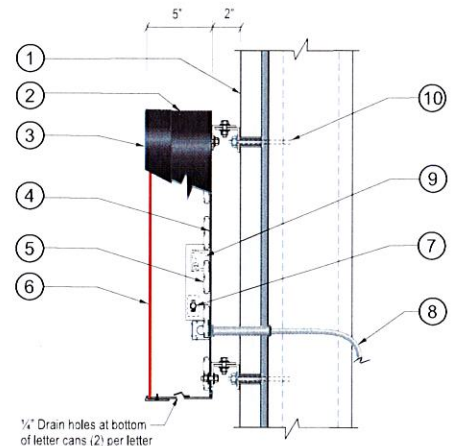
General Notes:

This sign is to be installed in accordance with the requirements of Article 600 of the National Electrical Code.

- Grounded and bonded per NEC 600.7/NEC 250
- Existing branch circuit in compliance with NEC 600.5, not to exceed 20 amps
- Sign is to be UL listed per NEC 600.3
- UL disconnect switch per NEC 600.6- required per sign component before leaving manufacturer. For multiple signs, a disconnect is permitted but not required for each section
- The location of the disconnect switch after installation shall comply with article 600.6 (A) (1) per NEC

Specifications: Channel Letters, Clip Mount, Self Contained

- Existing Facade: To be determined
- 0.063" Aluminum letter returns pre-painted Black
- 1" Jewelite trimcap (Black) bonded to face and #8 pan head screws to returns.
Note: 2" trimcaps for letters 54" and larger
- .125" ACM backs (pre-finished white) fastened to returns. Seal w/ VOC compliant 360 white latex caulk to prevent moisture penetration.
- US LED Bright Light Saver Red LED's (PSVR-3-12-RX)
- 3/16" #2793 Red Acrylic faces
- Disconnect switch UL Outdoor rated toggle type w/ neoprene boot per NEC 600-6 mounted on 2" x 1 7/8" utility box/ lid within letter
- Primary electrical feed in UL conduit
- Power Supplies within small power supply box.
- 2" x 2" x 3/16 galvanized angle mounting clips w/ hardware to suit



Section @ LED Channel Letter Front-Lit (Self-Contained) Scale: N.T.S.



Apex Sign Group is the property of Apex Sign Group, Inc. All rights reserved. No part of this document may be reproduced, stored in a retrieval system, or transmitted in any form or by any means, electronic, mechanical, photocopying, recording, or otherwise, without the express written permission of Apex Sign Group, Inc. All other rights reserved. © 2019 Apex Sign Group, Inc.

Homegoods #29533
 NEC Chipman Rd. & Ward Rd.
 Lee's Summit, MO 64086

Project ID#: 118529
 Project Mgr: Andrew Molina
 Designer: Emily Hardy
 Created on: 06/03/2019

R1	10/10/19	EH	Added rear elevation
R2	12/12/19	EH	Updated pylon to most recent build.

RECEIVED

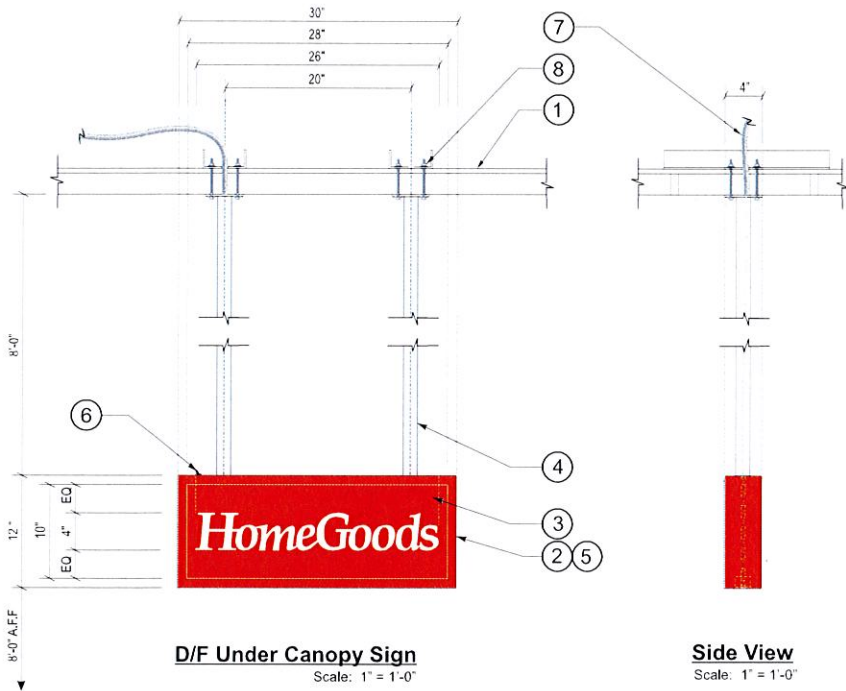
- 2020 - 033

FEB 19 2020

Development Services

Sign "D"

SIGN D	HomeGoods
Type:	D/F Under canopy sign
Illumination:	LED Illumination
Square Footage:	2.50



Electrical Detail:

- White LEDs
- (X) 60w Power Supplies
- Total Amps: X.XX
- (1) 20 amp 120V Circuit Req.

General Notes:

This sign is to be installed in accordance with the requirements of Article 600 of the National Electrical Code.

- Grounded and bonded per NEC 600.7/NEC 250
- Existing branch circuit in compliance with NEC 600.5, not to exceed 20 amps
- Sign is to be UL listed per NEC 600.3
- UL disconnect switch per NEC 600.6- required per sign component before leaving manufacturer. For multiple signs, a disconnect is permitted but not required for each section
- The location of the disconnect switch after installation shall comply with article 600.6 (A) (1) per NEC

Specifications:

1. Facade: To be determined
2. Fabricated aluminum sign cabinet with 1" retainers, 0.080" Aluminum fillers. All painted to match #3630-33 red (Satin Finish).
3. 3/16" White polycarbonate face w/ applied 3M #3630-33 Red vinyl.
4. 1 1/2" aluminum tube drop down supports and 4" x 4" x 1/4" aluminum mounting plates. All painted Matthews White (Satin Finish).
5. Sign cabinet contains Sloan V-Series Bright White LED's around perimeter and power supply
6. Waterproof disconnect switch
7. Primary electrical feed
8. Mounting hardware to suit

	<small>This drawing is the property of Apex Sign Group and is to be returned upon delivery. Sign Group and its party for which it was prepared, the responsibility shall be retained. Printed drawings are not to be used without the express written consent of Apex Sign Group. Please contact your account manager for more information.</small> apexsigngroup.com	Homegoods #29533 NEC Chipman Rd. & Ward Rd. Lee's Summit, MO 64086	Project ID#: 118529 Project Mgr: Andrew Molina Designer: Emily Hardy Created on: 06/03/2019	R1 10/10/19 EH Added rear elevation
				R2 12/12/19 EH Updated pylon to most recent build

RECEIVED
 FEB 19 2020
 Development Services
 - 2020 - 033

SIGN C	6'-0" HomeGoods Sign
Sign Type:	Individual Front Lit Channel Letters w/ self-contained Power Supplies
Illumination:	Internally Illuminated LED
Square Footage:	187.61

NOTE: DRAWING IS FOR REPRESENTATIONAL PURPOSES ONLY. EXACT DIMENSIONS (FIELD SURVEY) REQUIRED PRIOR TO FABRICATION

Sign "2"



Rear Elevation (Northeast)
Scale: 1/16" = 1'-0"

Allowable Square Footage this Elevation:	N/A
Formula:	N.T.E 6'-0" in height
Actual Square Footage this Elevation:	187.61



This rendering is the property of Apex Sign Group and is for illustrative use only. The client and the party for which it was prepared, the recipient, shall be responsible for obtaining all necessary permits, approvals, and clearances. The recipient shall be responsible for obtaining all necessary permits, approvals, and clearances. The recipient shall be responsible for obtaining all necessary permits, approvals, and clearances.

Homegoods #29533
NEC Chipman Rd. & Ward Rd.
Lee's Summit, MO 64086

Project ID#: 118529
Project Mgr: Andrew Molina
Designer: Emily Hardy
Created on: 06/03/2019

REVISIONS	R1 10/10/19 EH Added rear elevation
	R2 12/12/19 EH Updated pylon to most recent build

RECEIVED

FEB 19 2020

2020-033

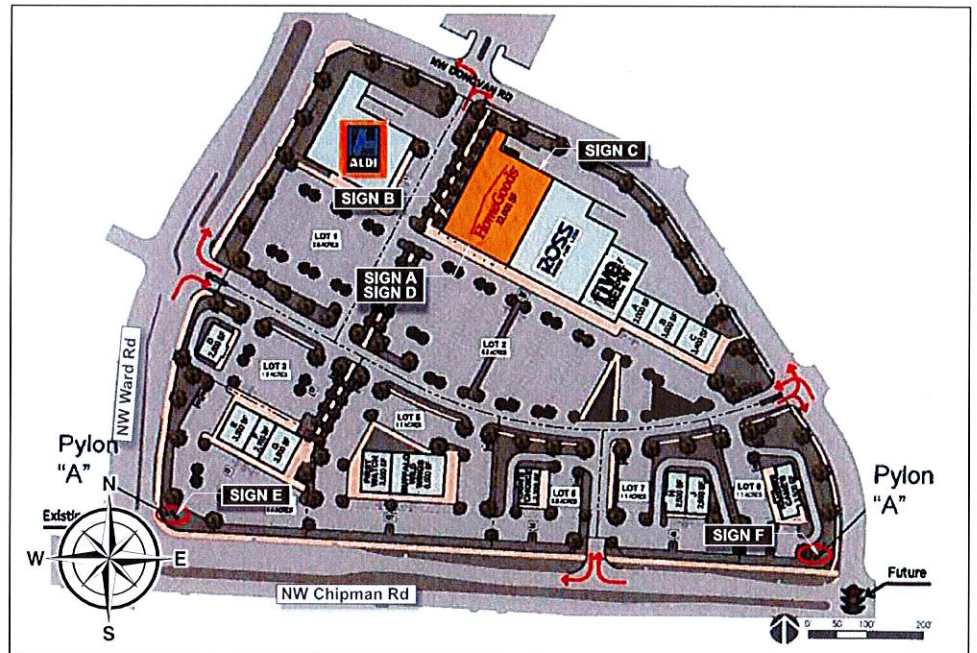
Development Services

HomeGoods

Site Plan

NEC Chipman Rd. & Ward Rd.
Lee's Summit, MO 64086

SIGN A	6'-0" HomeGoods Sign
Sign Type:	Individual Front Lit Channel Letters w/ self-contained Power Supplies
Illumination:	Internally Illuminated LED
Square Footage:	187.61
SIGN B	3'-0" HomeGoods sign
Sign Type:	Individual Front Lit Channel Letters w/ remote Power Supplies
Illumination:	Internally Illuminated LED
Square Footage:	46.90
SIGN C	6'-0" HomeGoods Sign
Sign Type:	Individual Front Lit Channel Letters w/ self-contained Power Supplies
Illumination:	Internally Illuminated LED
Square Footage:	187.61
SIGN D	HomeGoods
Type:	D/F Under canopy sign
Illumination:	LED Illumination
Square Footage:	2.50
SIGN E	HomeGoods MT panel
Sign Type:	3/16" white polycarbonate w/ first surface applied vinyl
Actual Size:	TBD
Viewable Size:	TBD
Square Footage:	TBD
SIGN F	HomeGoods MT panel
Sign Type:	3/16" white polycarbonate w/ first surface applied vinyl
Actual Size:	TBD
Viewable Size:	TBD
Square Footage:	TBD



This rendering is the property of Apex Sign Group. It is for the customer's use only. Apex Sign Group and its logo are trademarks of Apex Sign Group. All other trademarks are the property of their respective owners. Please contact Apex Sign Group for questions regarding this document.

apexsigngroup.com

Homegoods #29533
NEC Chipman Rd. & Ward Rd.
Lee's Summit, MO 64086

Project ID#: 118529
Project Mgr: Andrew Molina
Designer: Emily Hardy
Created on: 06/03/2019

R1 10/10/19 EH Added rear elevation
R2 12/12/19 EH Updated pylon to most recent build

REVISION

RECEIVED
FEB 19 2020
Development Services

-2020-033