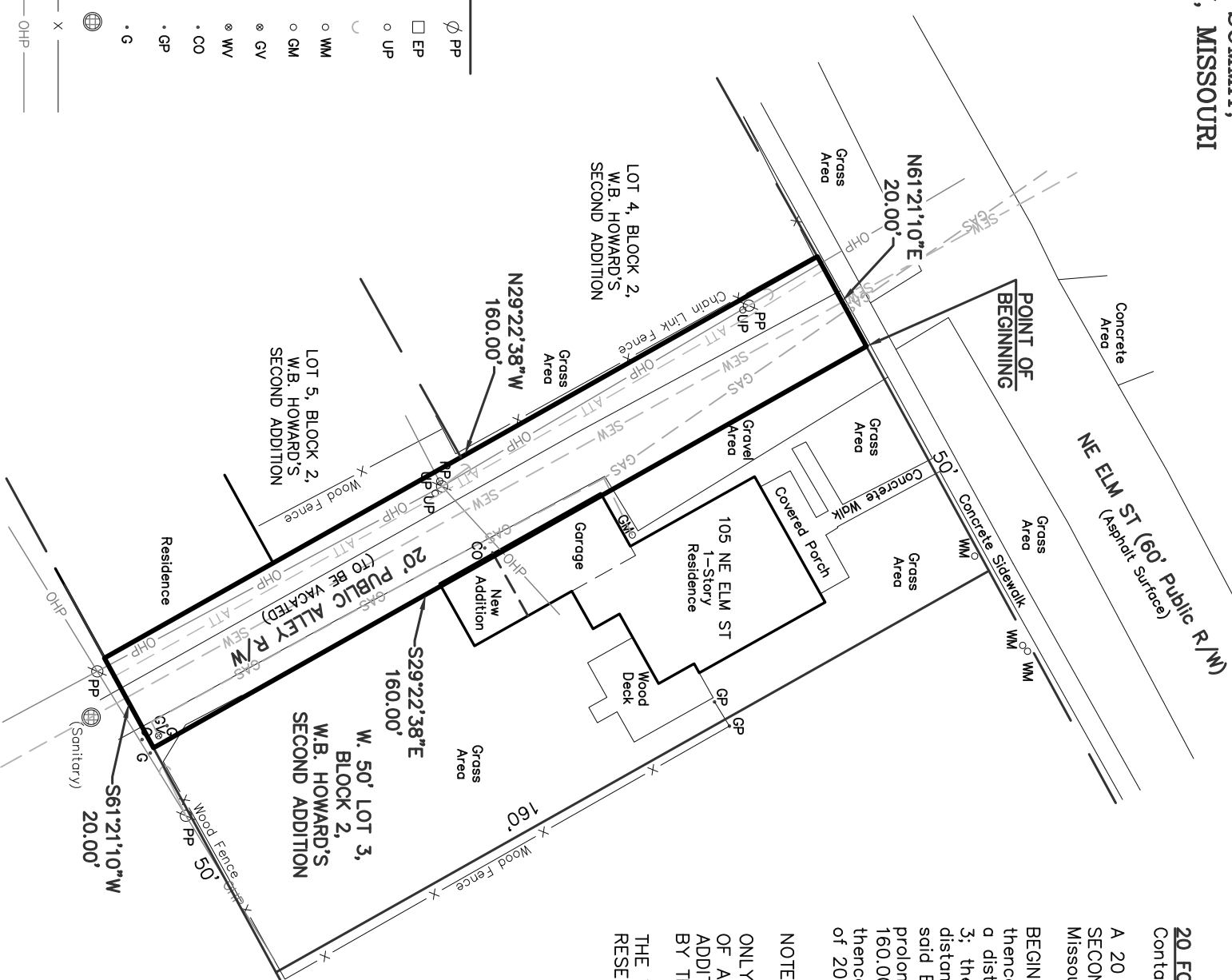


**PUBLIC ALLEY RIGHT OF WAY
VACATION EXHIBIT**
PART OF BLOCK 2, W.B. HOWARD'S SECOND
ADDITION TO THE
CITY OF LEE'S SUMMIT,
JACKSON COUNTY, MISSOURI



LEGEND

POWER POLE	∅ PP
ELECTRIC PEDESTAL	□ EP
UTILITY PEDESTAL	○ UP
ANCHOR	⌋
WATER METER	○ WM
GAS METER	○ GM
GAS VALVE	⊗ GV
WATER VALVE	⊗ WV
CLEANOUT	• CO
GATE POST	• GP
GUARD POST	• G
MANHOLE	⊕
FENCE	X
OVERHEAD POWER LINE	— OHP —
UNDERGROUND GAS LINE	— GAS —
UNDERGROUND AT&T LINE	— ATT —
UNDERGROUND SEWER LINE	— SEW —

20 FOOT PUBLIC ALLEY RIGHT OF WAY VACATION DESCRIPTION:
Containing 3,200 square feet (0.07± Acres).

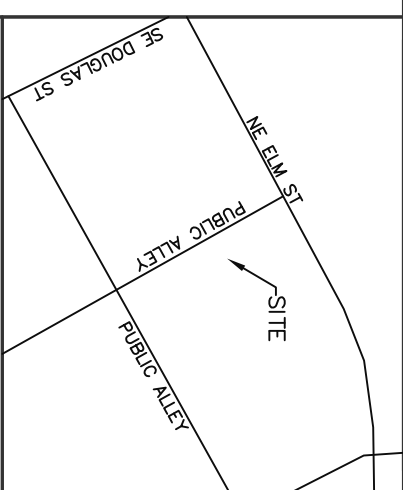
A 20 foot wide strip of land located in Block 2, W.B. HOWARD'S SECOND ADDITION, in the City of Lee's Summit, Jackson County, Missouri, more particularly described as follows:

BEGINNING at the Northwest Corner of Lot 3 of said Block 2; thence along the West line of said Lot 3, South 29°22'38" East, a distance of 160.00 feet to the Southwest Corner of said Lot 3; thence leaving said West line, South 61°21'10" West, a distance of 20.00 feet to the Southeast Corner of Lot 5 of said Block 2; thence along the East line of said Lot 5 and the prolongation thereof, North 29°22'38" West, a distance of 160.00 feet to the Northeast Corner of Lot 4 of said Block 2; thence leaving said East line, North 61°21'10" East, a distance of 20.00 feet to the POINT OF BEGINNING.

NOTES:

ONLY THE PLATTED 20 FOOT PUBLIC ALLEY RIGHT OF WAY WEST OF AND ADJACENT TO LOT 3, BLOCK 2, W.B. HOWARD'S SECOND ADDITION, SHOWN AND DESCRIBED HEREON IS TO BE VACATED BY THIS EXHIBIT.

THE VACATED ALLEY SHOWN AND DESCRIBED HEREON IS TO BE RESERVED FOR PUBLIC UTILITY EASEMENT.

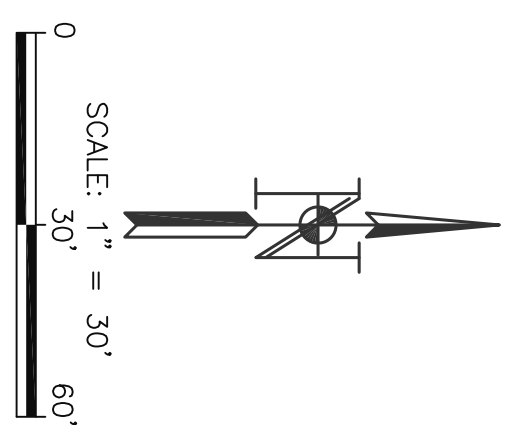


PROVIDED FOR:
CHRIS SADDLER
105 NE ELM ST,
LEE'S SUMMIT, MO
TELEPHONE: 816-674-4331

LOVELACE & ASSOCIATES
Land Surveying - Land Planning
Telecommunications Surveys
929 SE 3rd Street Lee's Summit, Missouri 64063
Phone: (816) 347-2997 Fax: (816) 347-2979

LA PROJECT NO.: 22283
DRAWN BY: A.C.T. CHECKED BY: J.B.L.
DATE: 11-29-22 FIELDWORK: 11-21-22

NOTES:
1. No subsurface investigation was performed to locate underground utilities.
2. This survey does not represent a boundary survey.
3. Utilities shown hereon are limited to and are per observed evidence only.
4. An utility locate was requested under ticket #223192224 with Missouri One Call, the markings of said locate are shown hereon.



CALL BEFORE YOU DIG - DRILL - BLAST
1-800-344-7483
(TOLL FREE)
MISSOURI ONE CALL SYSTEM, INC.