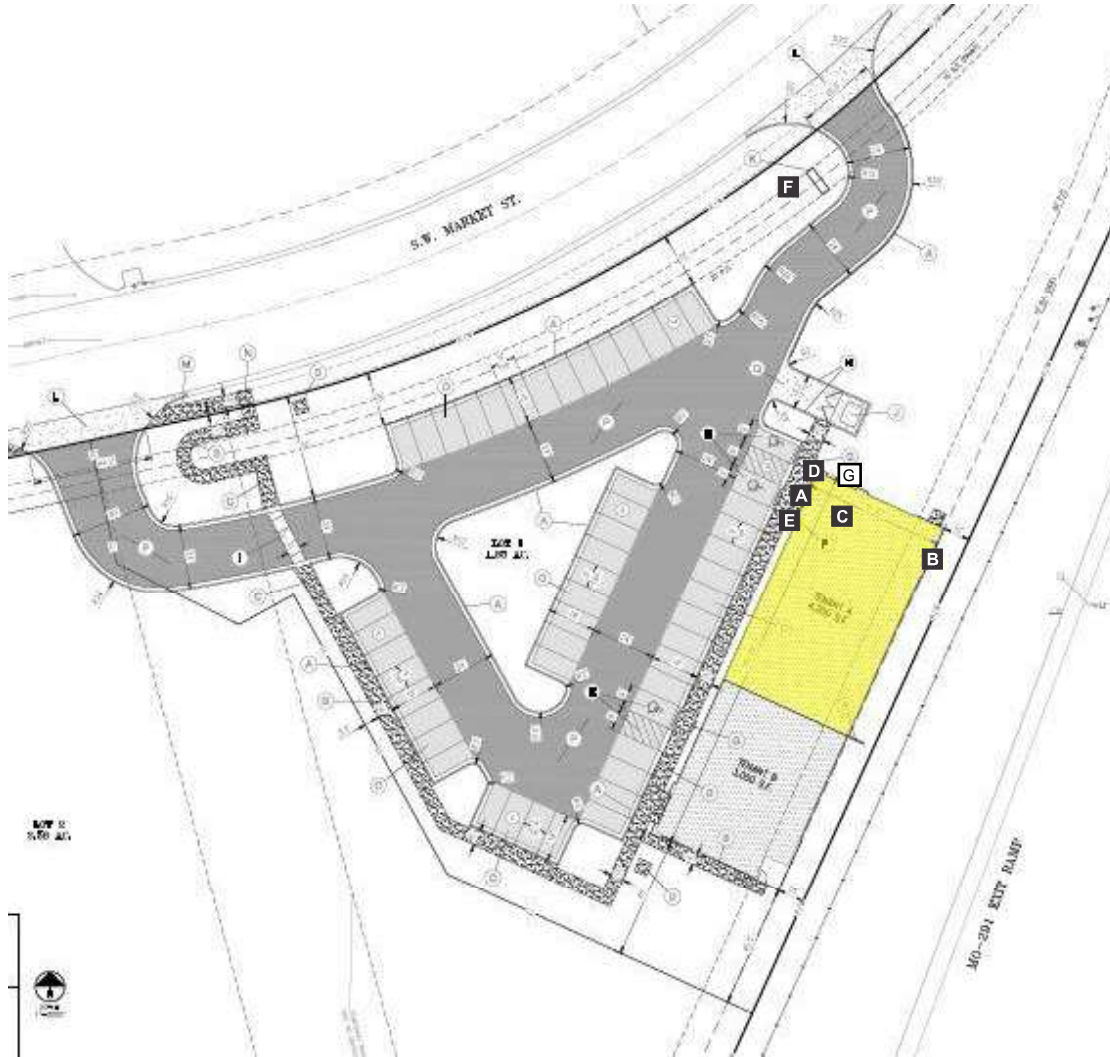


EXTERIOR SITE PLAN

- A** EXT. LETTERS
- B** EXT. LETTERS
- C** INT. LETTERS
- D** DOOR VINYL
- E** WINDOW VINYL
- F** TEMP. CONSTRUCTION SIGN
- G** EXT. LETTERS



HILTONDISPLAYS

125 HILLSIDE DRIVE • GREENVILLE SC 29607
 P 800 353 9132 • F 864 242 2204
 www.hiltondisplays.com

QID 22-63376

JOB NAME

Heartland Dental

LOCATION

3501 SW Market Street
 Lee's Summit MO 64082

CUSTOMER CONTACT

SALESMAN / PM

Christie Wheeler

DESIGNER

Brian Sowder

DWG. DATE

11-2-22

REV. DATE / REVISION

SCALE

FILE

2022/Heartland Dental/Locations/
 Lee's Summit MO/22-63376/
 HLD Lees Summit MO 22-63376

DESIGN SPECIFICATIONS ACCEPTED BY:

EST: CLIENT:

SLS/PM: LANDLORD:

THE INTENT OF THIS DRAWING IS TO SHOW A CONCEPTUAL REPRESENTATION OF THE PROPOSED SIGNAGE. DUE TO VARIATIONS IN PRINTING DEVICES AND SUBSTRATES, THE FINISHED PRODUCT MAY DIFFER SLIGHTLY FROM DRAWING.



ELEVATION(S)

- A** EXT. LETTERS
- B** EXT. LETTERS
- C** INT. LETTERS
- D** DOOR VINYL
- E** WINDOW VINYL
- F** TEMP. CONSTRUCTION SIGN



HILTONDISPLAYS

125 HILLSIDE DRIVE • GREENVILLE SC 29607
P 800 353 9132 • F 864 242 2204
www.hiltondisplays.com

QID 22-63376

JOB NAME

Heartland Dental

LOCATION

3501 SW Market Street
Lee's Summit MO 64082

CUSTOMER CONTACT

SALESMAN / PM

Christie Wheeler

DESIGNER

Brian Sowder

DWG. DATE

11-2-22

REV. DATE / REVISION

SCALE

FILE

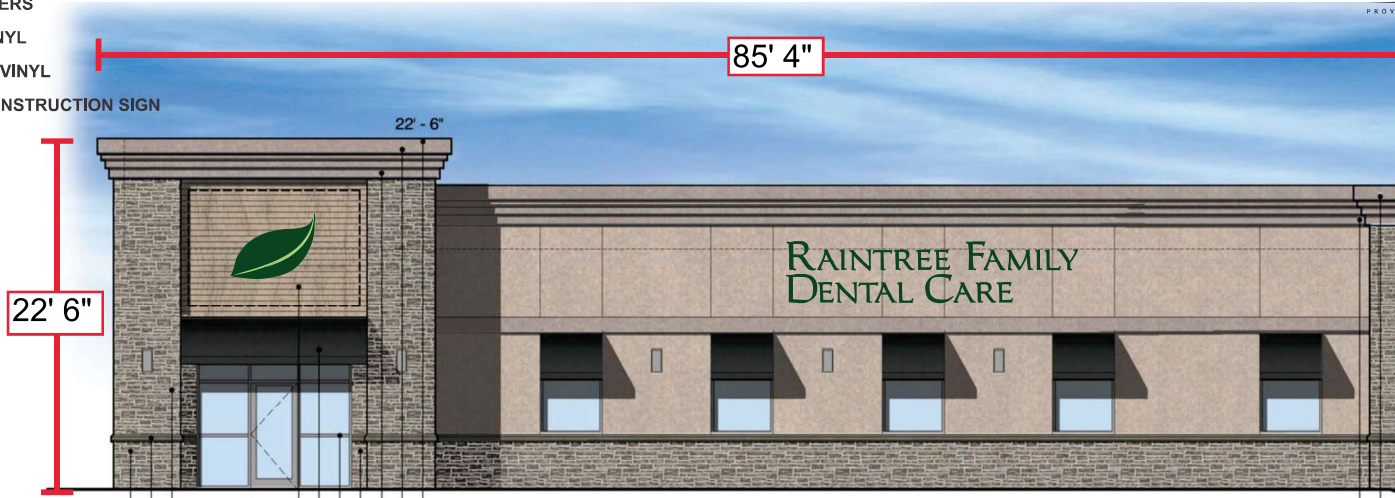
2022/Heartland Dental/Locations/
Lee's Summit MO/22-63376/
HLD Lees Summit MO 22-63376

DESIGN SPECIFICATIONS ACCEPTED BY:

EST: CLIENT:

SLS/PM: LANDLORD:

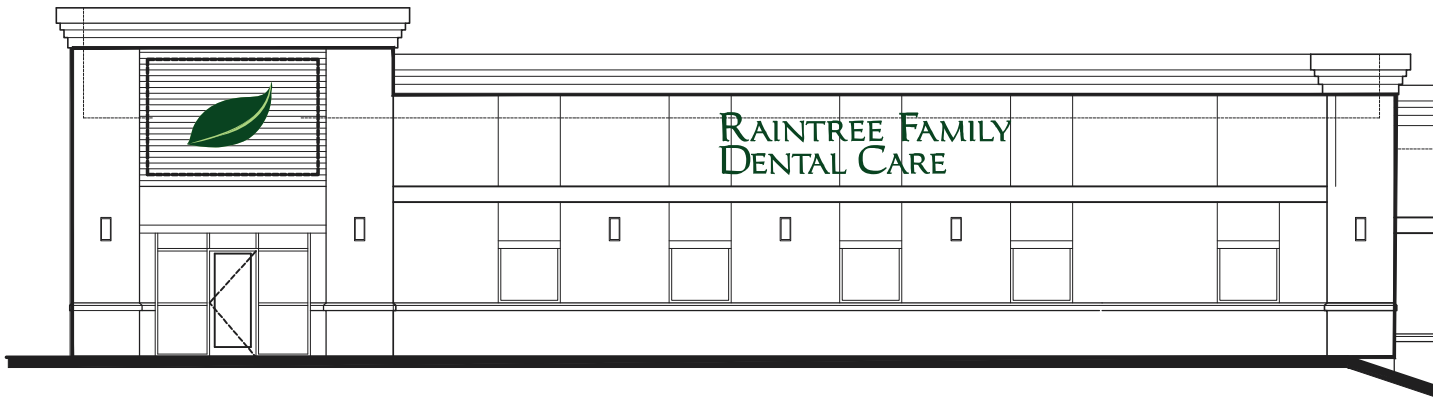
THE INTENT OF THIS DRAWING IS TO SHOW A CONCEPTUAL REPRESENTATION OF THE PROPOSED SIGNAGE. DUE TO VARIATIONS IN PRINTING DEVICES AND SUBSTRATES, THE FINISHED PRODUCT MAY DIFFER SLIGHTLY FROM DRAWING.



Front Elevation

Scale: 1/8" = 1' (11x17 Paper)

Wall Area - West Elevation: 22' 6" x 85' 5" = 1,922 sq ft

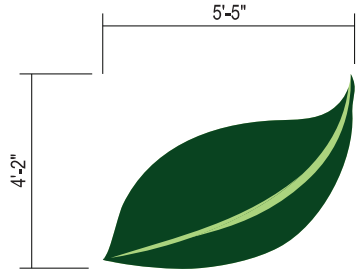


ILLUMINATED WALL SIGN

HLD-22-63376-2
Qty. 1

Sign Area:
4' 2" x 5' 5" = 22.6 sq ft

A



FRONT VIEW

Scale: 3/8" = 1' (11x17 Paper) **23 SQ. FT.**

SIDE VIEW

SPECIFICATIONS

LOGO CABINET

RETURNS: .040 pre-finished white aluminum
TRIMCAP: 1" std. white
FACES: 3/16" clear acrylic with 1st surface vinyl
 - Day/Night perf. PMS 3435 and PMS 359
ILLUMINATION: Stoan White LEDs / 120V

NOTES:

- All wiring UL approved and bare label

NIGHT VIEW

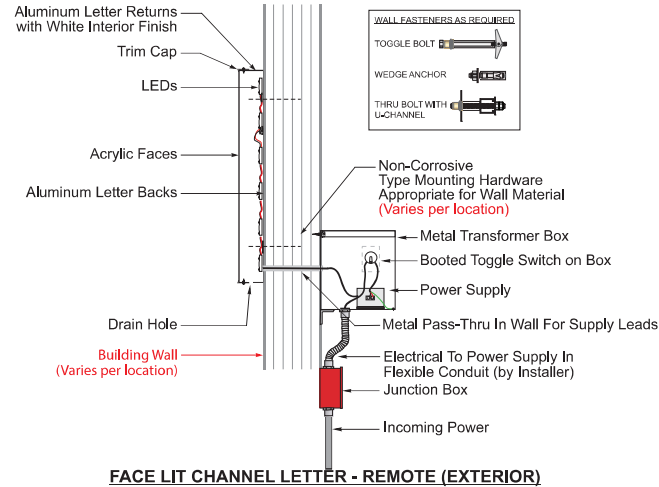


- C - 87
- M - 44
- Y - 97
- K - 53
- C - 36
- M - 0
- Y - 36
- K - 0



PMS 3435
HEX 0E4421

PMS 359
HEX ABD47F



HILTONDISPLAYS

125 HILLSIDE DRIVE • GREENVILLE SC 29607
 P 800 353 9132 • F 864 242 2204
 www.hiltondisplays.com

QID 22-63376

JOB NAME

Heartland Dental

LOCATION

3501 SW Market Street
 Lee's Summit MO 64082

CUSTOMER CONTACT

SALESMAN / PM

Christie Wheeler

DESIGNER

Brian Sowder

DWG. DATE

11-2-22

REV. DATE / REVISION

SCALE

FILE

2022/Heartland Dental/Locations/
 Lee's Summit MO/22-63376/
 HLD Lees Summit MO 22-63376

DESIGN SPECIFICATIONS ACCEPTED BY:

EST:	CLIENT:
SLS/PM:	LANDLORD:

THE INTENT OF THIS DRAWING IS TO SHOW A CONCEPTUAL REPRESENTATION OF THE PROPOSED SIGNAGE. DUE TO VARIATIONS IN PRINTING DEVICES AND SUBSTRATES, THE FINISHED PRODUCT MAY DIFFER SLIGHTLY FROM DRAWING.



ILLUMINATED WALL SIGN

HLD-22-63376-2

Qty. 1

A

Sign Area:
4' x 18' 10" = 75.3 sq ft



HILTONDISPLAYS

125 HILLSIDE DRIVE • GREENVILLE SC 29607
P 800 353 9132 • F 864 242 2204
www.hiltondisplays.com

QID 22-63376

JOB NAME

Heartland Dental

LOCATION

3501 SW Market Street
Lee's Summit MO 64082

CUSTOMER CONTACT

SALESMAN / PM

Christie Wheeler

DESIGNER

Brian Sowder

DWG. DATE

11-2-22

REV. DATE / REVISION

SCALE

FILE

2022/Heartland Dental/Locations/
Lee's Summit MO/22-63376/
HLD Lees Summit MO 22-63376

DESIGN SPECIFICATIONS ACCEPTED BY:

EST: CLIENT:

SLS/PM: LANDLORD:

THE INTENT OF THIS DRAWING IS TO SHOW A CONCEPTUAL REPRESENTATION OF THE PROPOSED SIGNAGE. DUE TO VARIATIONS IN PRINTING DEVICES AND SUBSTRATES, THE FINISHED PRODUCT MAY DIFFER SLIGHTLY FROM DRAWING.



FRONT VIEW

Scale: 3/8" = 1' (11x17 Paper)

75 SQ. FT.

SPECIFICATIONS

CHANNEL LETTERS

RETURNS: .040 pre-finished white aluminum

TRIMCAP: 1" std, white

FACES: clear acrylic with 1st surface vinyl

- Day/Night perf. PMS 3435

ILLUMINATION: Sloan White LEDs / 120V

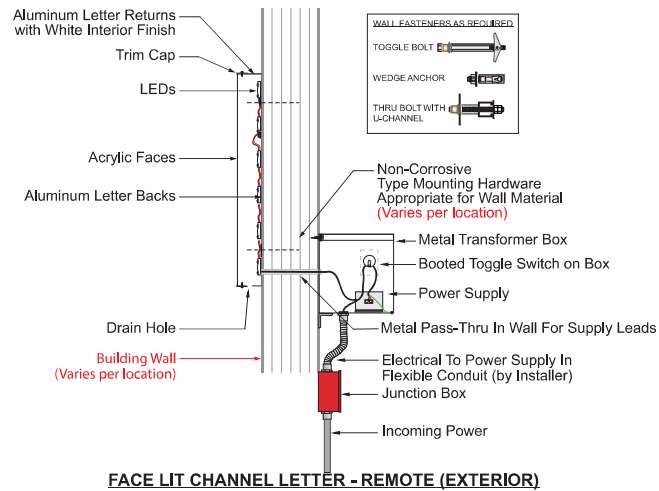
NOTES:

- All wiring UL approved and bare label

3"



SIDE VIEW



NIGHT VIEW



- C - 87
- M - 44
- Y - 97
- K - 53
- C - 36
- M - 0
- Y - 36
- K - 0



PMS 3435
HEX 0E4421



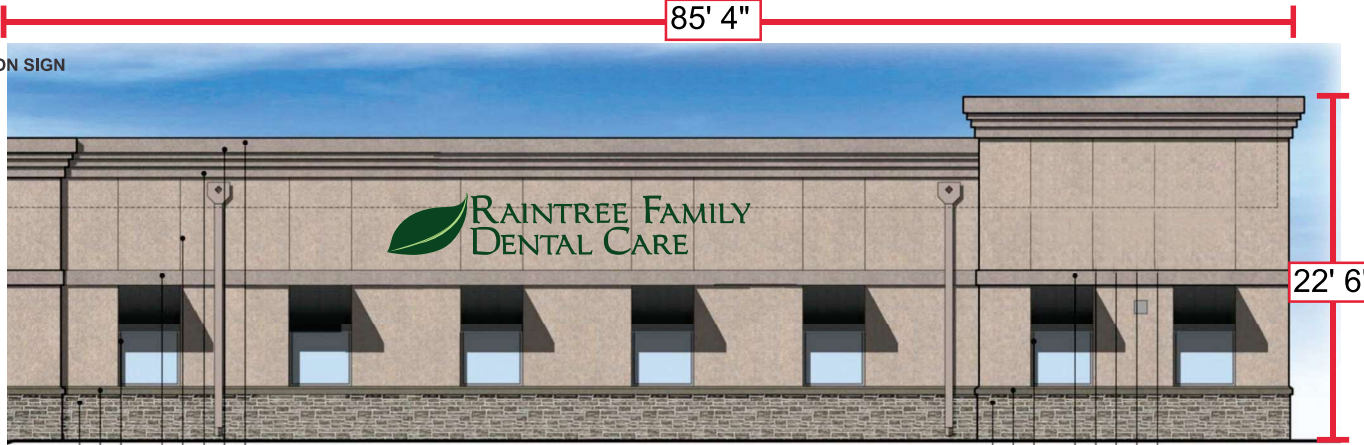
PMS 359
HEX ABD47F

ELEVATION(S)

- A** EXT. LETTERS
- B** EXT. LETTERS
- C** INT. LETTERS
- D** DOOR VINYL
- E** WINDOW VINYL
- F** TEMP. CONSTRUCTION SIGN



HILTONDISPLAYS
 125 HILLSIDE DRIVE • GREENVILLE SC 29607
 P 800 353 9132 • F 864 242 2204
 www.hiltondisplays.com



Rear Elevation

Scale: 1/8" = 1' (11x17 Paper)

Wall Area - East Elevation: 22' 6" x 85' 5" = 1,922 sq ft



QID 22-63376

JOB NAME

Heartland Dental

LOCATION

3501 SW Market Street
 Lee's Summit MO 64082

CUSTOMER CONTACT

SALESMAN / PM

Christie Wheeler

DESIGNER

Brian Sowder

DWG. DATE

11-2-22

REV. DATE / REVISION

SCALE

FILE

2022/Heartland Dental/Locations/
 Lee's Summit MO/22-63376/
 HLD Lees Summit MO 22-63376

DESIGN SPECIFICATIONS ACCEPTED BY:

EST: CLIENT:

SLS/PM: LANDLORD:

THE INTENT OF THIS DRAWING IS TO SHOW A CONCEPTUAL REPRESENTATION OF THE PROPOSED SIGNAGE. DUE TO VARIATIONS IN PRINTING DEVICES AND SUBSTRATES, THE FINISHED PRODUCT MAY DIFFER SLIGHTLY FROM DRAWING.



ILLUMINATED WALL SIGN

HLD-22-63376-2

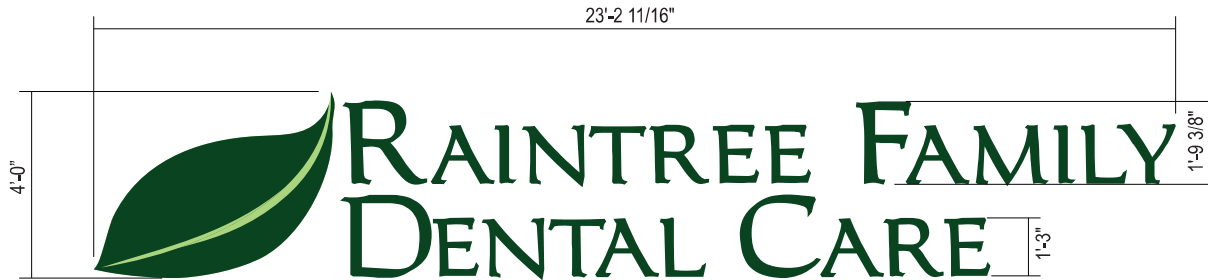
Qty. 1

B



HILTONDISPLAYS

125 HILLSIDE DRIVE • GREENVILLE SC 29607
P 800 353 9132 • F 864 242 2204
www.hiltondisplays.com



FRONT VIEW

Scale: 3/8" = 1' (11x17 Paper)

Sign Area: 4' x 23' 3" = 93 sq ft

SIDE VIEW

SPECIFICATIONS

CHANNEL LETTERS

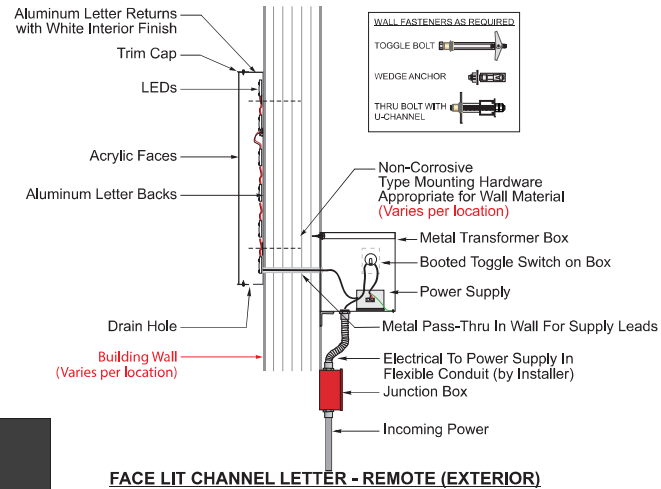
RETURNS: .040 pre-finished white aluminum
TRIMCAP: 1" std. white
FACES: clear acrylic with 1st surface vinyl
- Day/Night perf. PMS 3435
ILLUMINATION: Sloan White LEDs / 120V

LOGO CABINET

RETURNS: .040 pre-finished white aluminum
TRIMCAP: 1" std. white
FACES: 3/16" clear acrylic with 1st surface vinyl
- Day/Night perf. PMS 3435 and PMS 359
ILLUMINATION: Sloan White LEDs / 120V

NOTES:

- All wiring UL approved and bare label



FACE LIT CHANNEL LETTER - REMOTE (EXTERIOR)

NIGHT VIEW



- C - 87
- M - 44
- Y - 97
- K - 53
- C - 36
- M - 0
- Y - 36
- K - 0



PMS 3435 HEX 0E4421
PMS 359 HEX ABD47F

QID 22-63376

JOB NAME	Heartland Dental
LOCATION	3501 SW Market Street Lee's Summit MO 64082
CUSTOMER CONTACT	

SALESMAN / PM	Christie Wheeler
DESIGNER	Brian Sowder
DWG. DATE	11-2-22
REV. DATE / REVISION	

SCALE	
FILE	2022/Heartland Dental/Locations/ Lee's Summit MO/22-63376/ HLD Lees Summit MO 22-63376

DESIGN SPECIFICATIONS ACCEPTED BY:	
EST:	CLIENT:
SLS/PM:	LANDLORD:

THE INTENT OF THIS DRAWING IS TO SHOW A CONCEPTUAL REPRESENTATION OF THE PROPOSED SIGNAGE. DUE TO VARIATIONS IN PRINTING DEVICES AND SUBSTRATES, THE FINISHED PRODUCT MAY DIFFER SLIGHTLY FROM DRAWING.



VARIANCE ARTWORK FOR THIRD LETTERSET

HLD-22-63376-11

Qty 1

A



HILTONDISPLAYS

125 HILLSIDE DRIVE • GREENVILLE SC 29607
P 800 353 9132 • F 864 242 2204
www.hiltondisplays.com



Side Elevation

Scale: 1/8" = 1' (11x17 Paper)

SQ. FT. PROPOSED 43



QID 22-63376

JOB NAME

Heartland Dental

LOCATION

3501 SW Market Street
Lee's Summit MO 64082

CUSTOMER CONTACT

SALESMAN / PM

Christie Wheeler

DESIGNER

Brian Sowder

DWG. DATE

11-2-22

REV. DATE / REVISION

SCALE

FILE

2022/Heartland Dental/Locations/
Lee's Summit MO/22-63376/
HLD Lees Summit MO 22-63376

DESIGN SPECIFICATIONS ACCEPTED BY:

EST: CLIENT:

SLS/PM: LANDLORD:

THE INTENT OF THIS DRAWING IS TO SHOW A CONCEPTUAL REPRESENTATION OF THE PROPOSED SIGNAGE. DUE TO VARIATIONS IN PRINTING DEVICES AND SUBSTRATES, THE FINISHED PRODUCT MAY DIFFER SLIGHTLY FROM DRAWING.



ILLUMINATED WALL SIGN

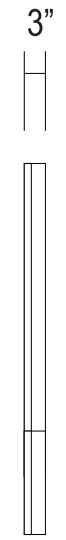
HLD-22-63376-11

Qty. 1

A



HILTONDISPLAYS
 125 HILLSIDE DRIVE • GREENVILLE SC 29607
 P 800 353 9132 • F 864 242 2204
 www.hiltondisplays.com



FRONT VIEW

Scale: 1/2" = 1' (11x17 Paper)

43 SQ. FT.

SPECIFICATIONS

CHANNEL LETTERS

RETURNS: .040 pre-finished white aluminum

TRIMCAP: 1" std. white

FACES: clear acrylic with 1st surface vinyl
 - Day/Night perf. PMS 3435

ILLUMINATION: Sloan White LEDs / 120V

LOGO CABINET

RETURNS: .040 pre-finished white aluminum

TRIMCAP: 1" std. white

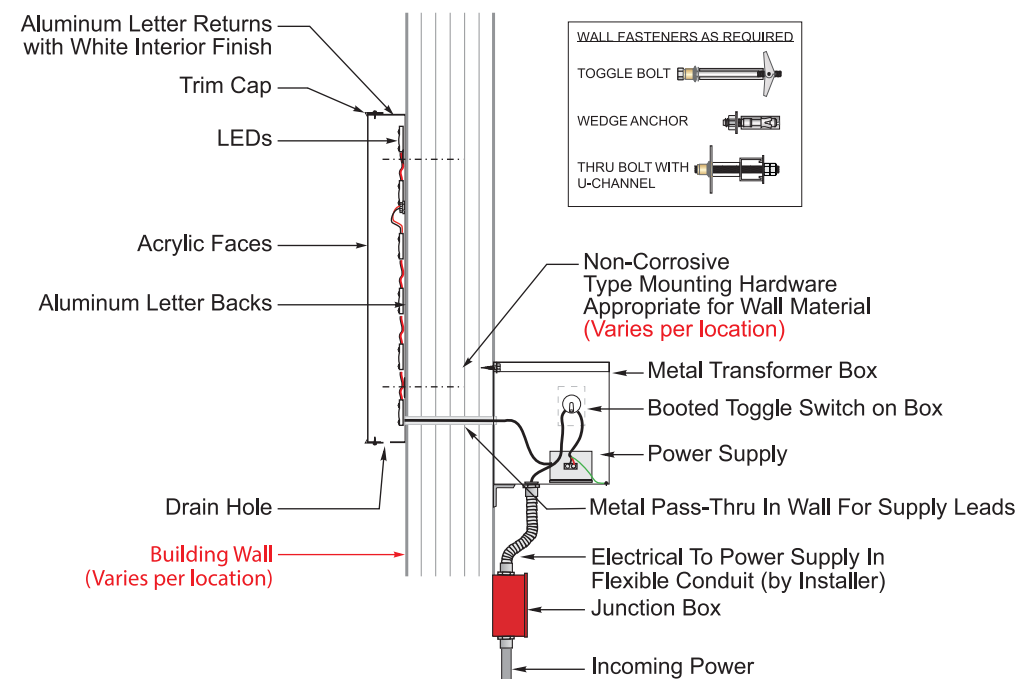
FACES: 3/16" clear acrylic with 1st surface vinyl
 - Day/Night perf. PMS 3435

ILLUMINATION: Sloan White LEDs / 120V

NOTES:

- All wiring UL approved and bare label

SIDE VIEW



FACE LIT CHANNEL LETTER - REMOTE (EXTERIOR)

NIGHT VIEW



C - 87	C - 36
M - 44	M - 0
Y - 97	Y - 36
K - 53	K - 0

PMS 3435
HEX 0E4421

PMS 359
HEX ABD47F

QID 22-63376

JOB NAME

Heartland Dental

LOCATION

3501 SW Market Street
Lee's Summit MO 64082

CUSTOMER CONTACT

SALESMAN / PM

Christie Wheeler

DESIGNER

Brian Sowder

DWG. DATE

11-2-22

REV. DATE / REVISION

SCALE

FILE

2022/Heartland Dental/Locations/
Lee's Summit MO/22-63376/
HLD Lees Summit MO 22-63376

DESIGN SPECIFICATIONS ACCEPTED BY:

EST:	CLIENT:
SLS/PM:	LANDLORD:

THE INTENT OF THIS DRAWING IS TO SHOW A CONCEPTUAL REPRESENTATION OF THE PROPOSED SIGNAGE. DUE TO VARIATIONS IN PRINTING DEVICES AND SUBSTRATES, THE FINISHED PRODUCT MAY DIFFER SLIGHTLY FROM DRAWING.

