



1 SOUTH SIDE PERSPECTIVE  
1/16"=1'-0"



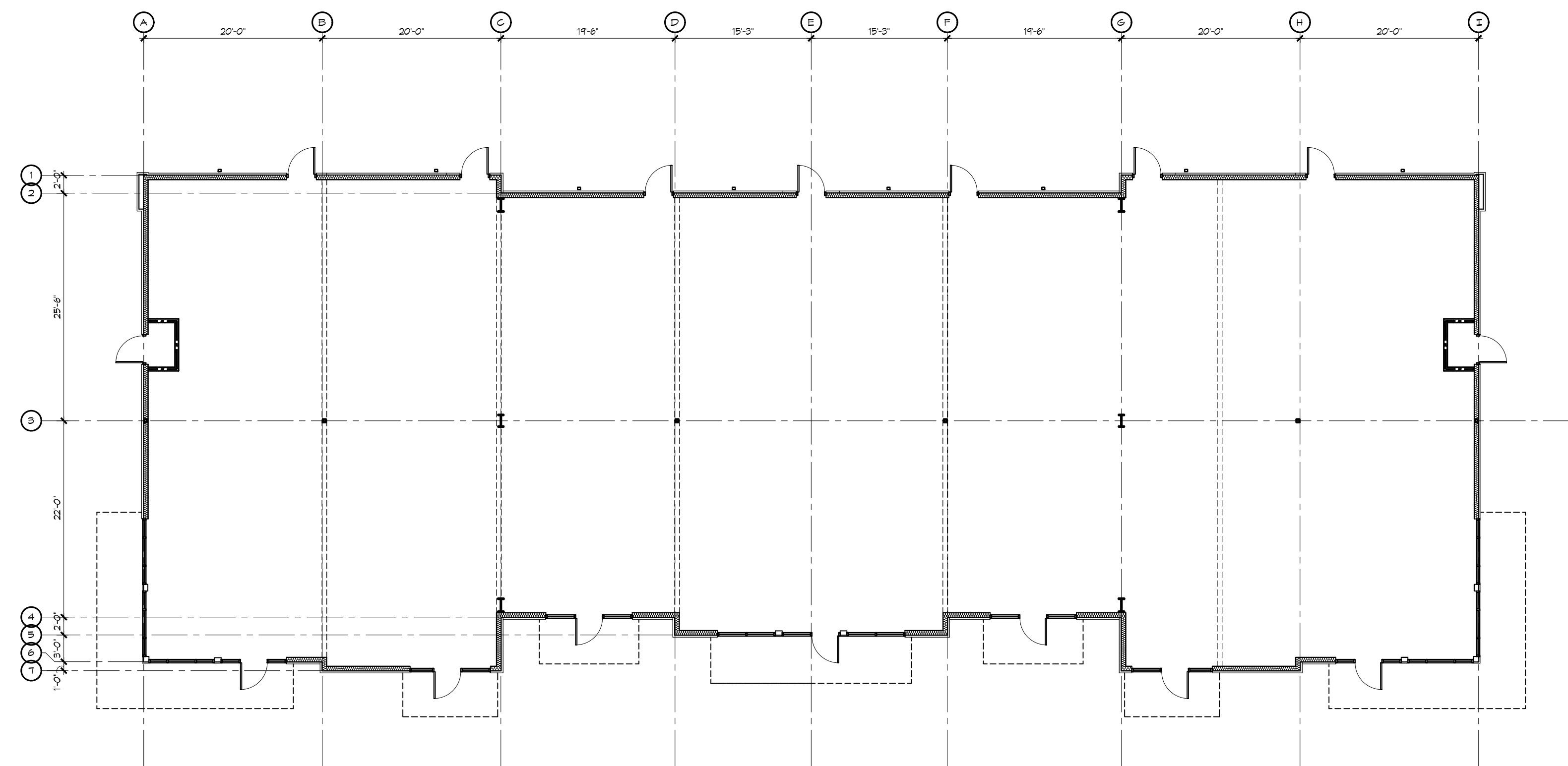
3 EAST SIDE PERSPECTIVE  
1/16"=1'-0"



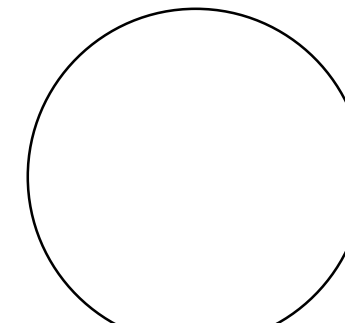
4 NORTHWEST PERSPECTIVE  
1/16"=1'-0"



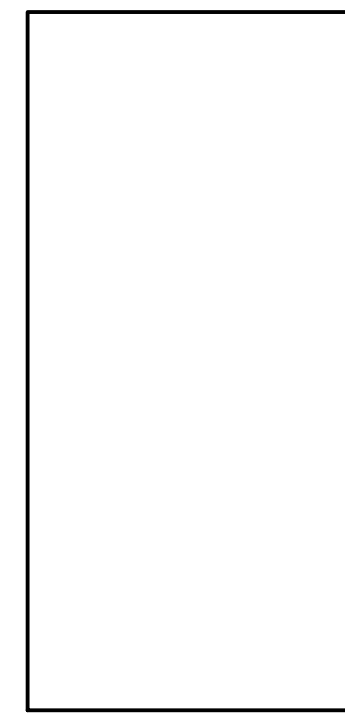
2 WEST SIDE PERSPECTIVE  
1/16"=1'-0"



5 FIRST FLOOR PLAN  
3/32"=1'-0"



**GUY GRONBERG  
ARCHITECTS, P.C.**  
113 S. 21st St.  
Lee's Summit, MO 64063  
Phone: 816.524.0870  
Fax: 816.524.8570

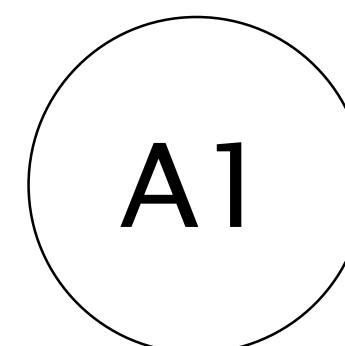


**DOUGLAS  
| CORNER |**  
LOT 1B, LEE'S SUMMIT, MISSOURI 64086

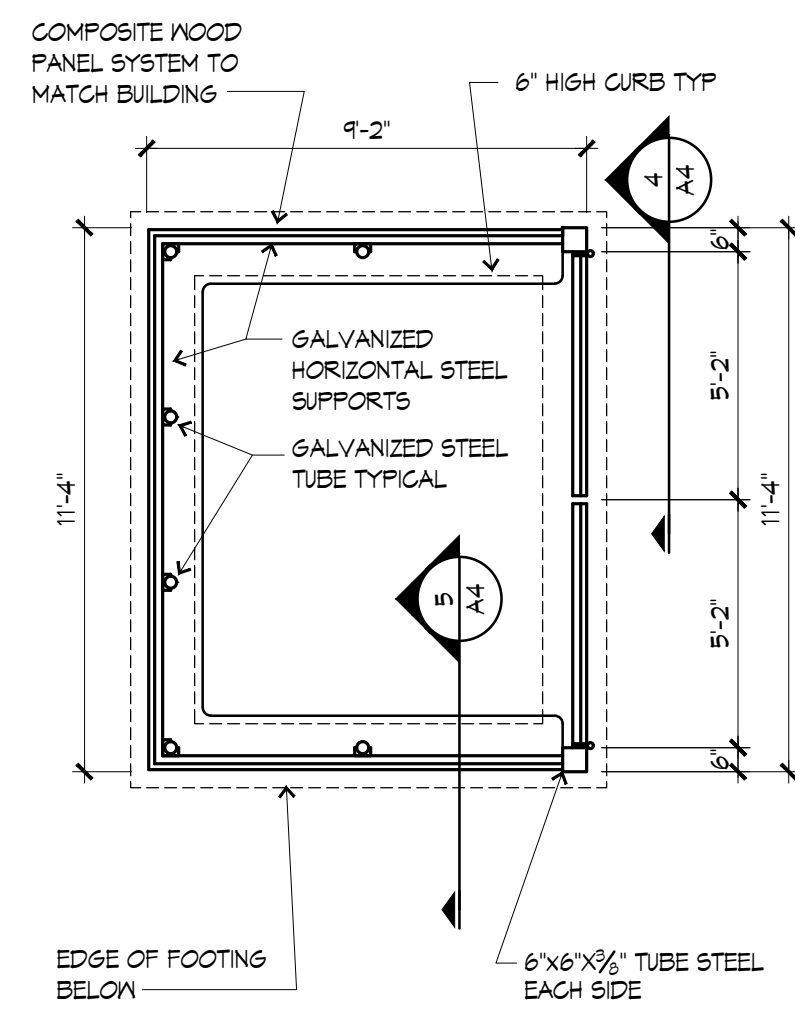
This drawing has been prepared as an instrument of service by the architect or engineer and is not to be used for any other purpose without the written consent of the architect or engineer. The architect or engineer does not assume any liability for the accuracy or completeness of the information provided in this drawing. The architect or engineer is not responsible for the accuracy or completeness of the information provided in this drawing. The architect or engineer is not responsible for the accuracy or completeness of the information provided in this drawing. The architect or engineer is not responsible for the accuracy or completeness of the information provided in this drawing.

REV#	DATE	DESCRIPTION
01	08-12-23	CITY COMMENTS

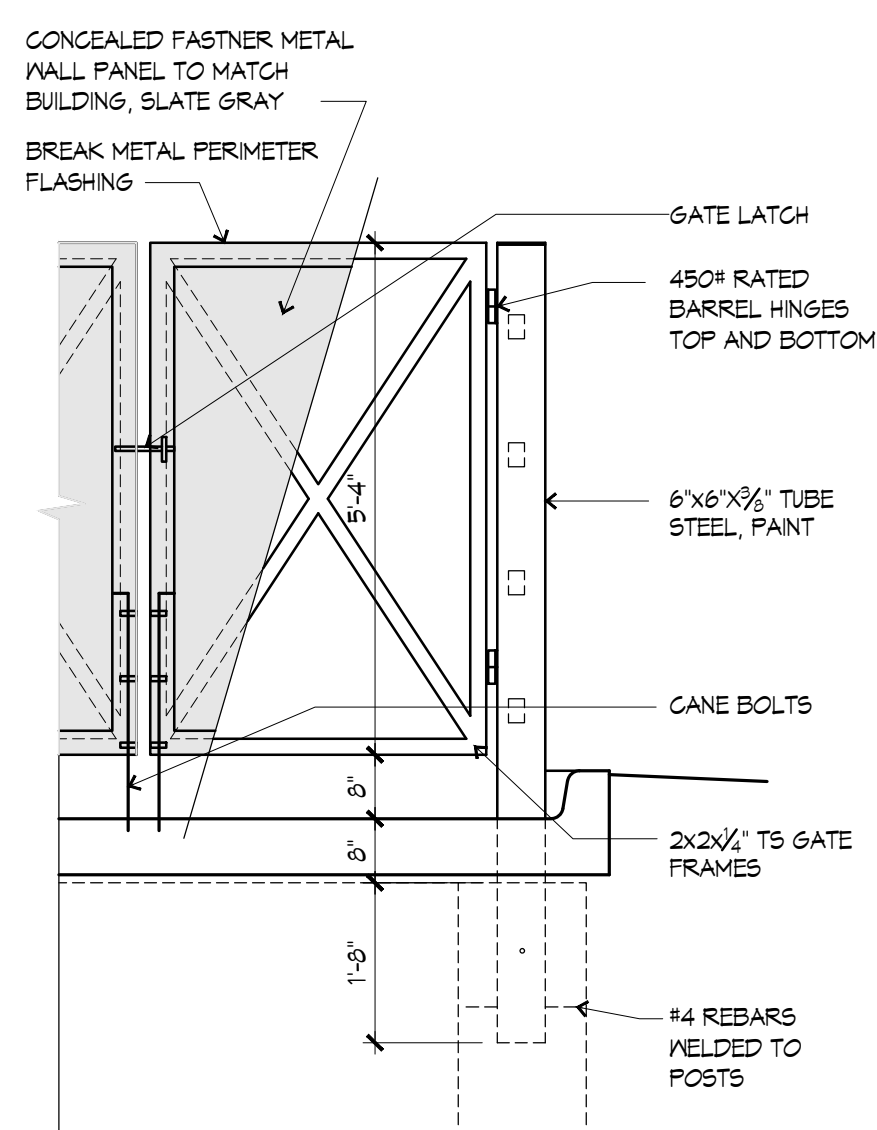
DATE: 05-12-2023  
PROJECT# 23012



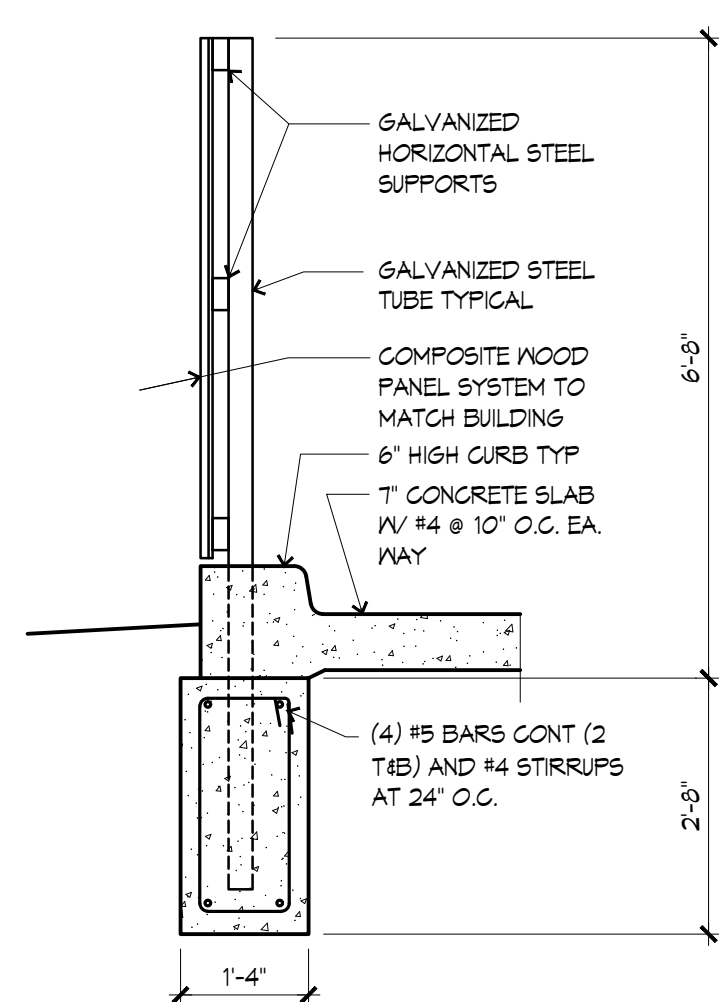




**3 TRASH ENCLOSURE**  
1/4"=1'-0"



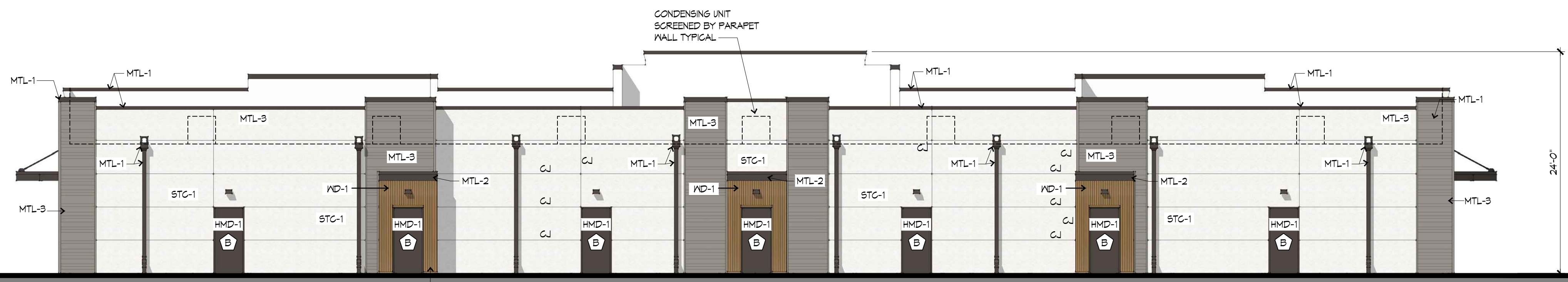
**4 GATE ELEVATION**  
1/2"=1'-0"



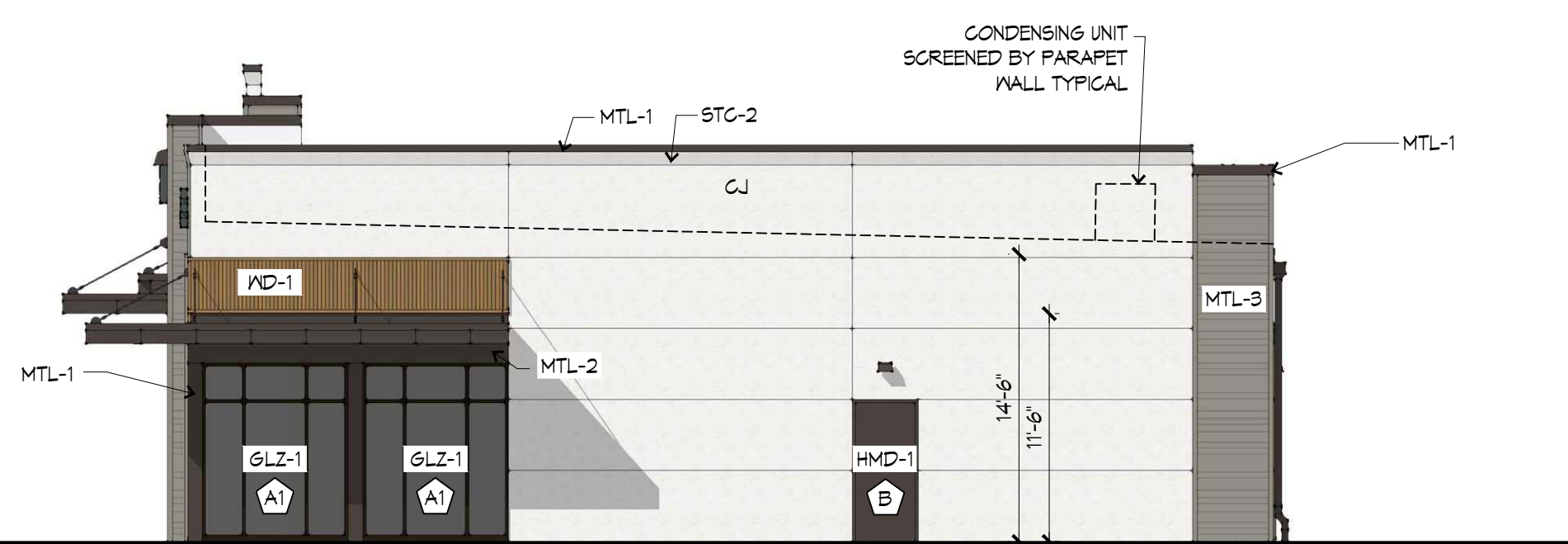
**5 TRASH SECTION**  
1/2"=1'-0"



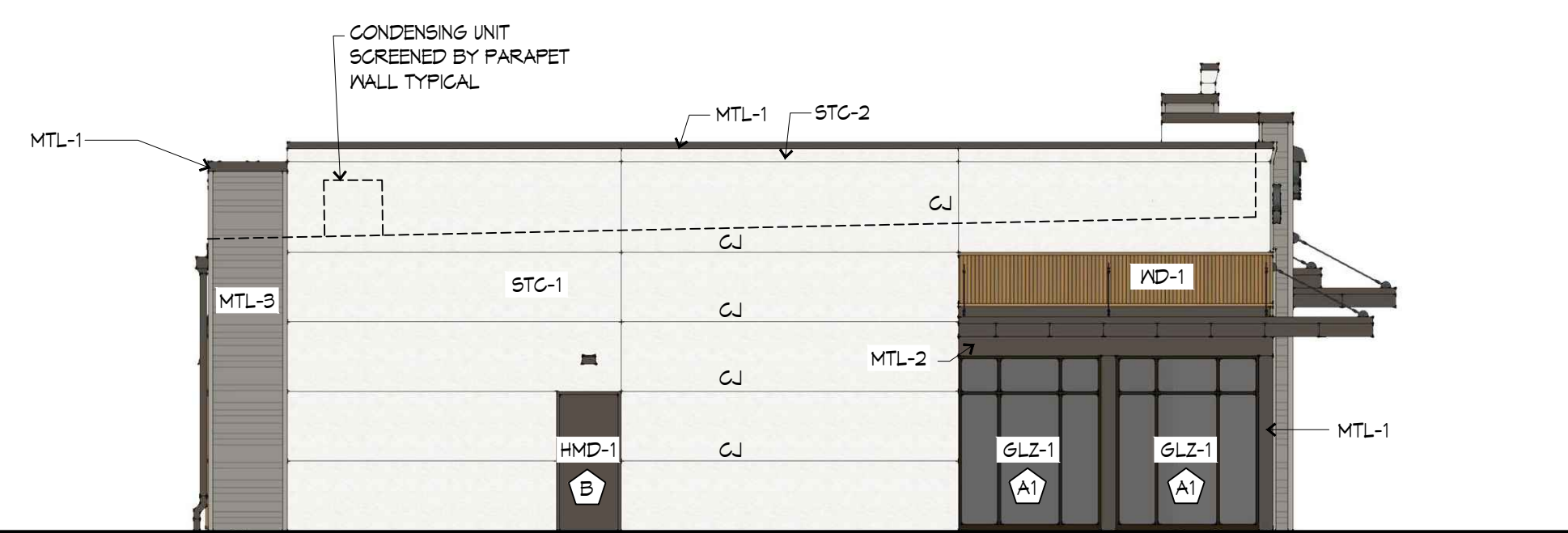
**1 WEST ELEVATION**  
1/8"=1'-0"



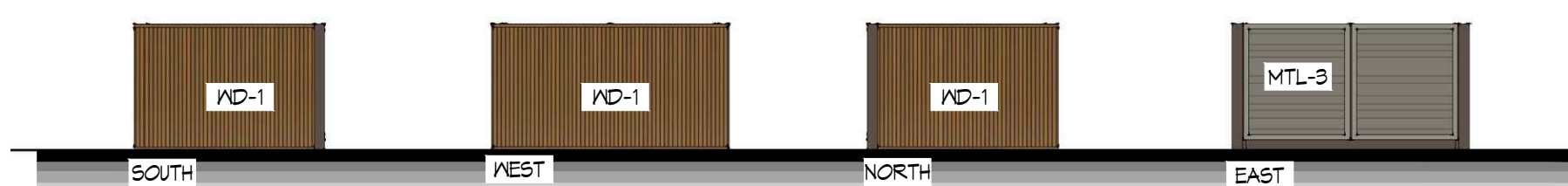
**2 EAST ELEVATION**  
1/8"=1'-0"



**6 SOUTH ELEVATION**  
1/8"=1'-0"



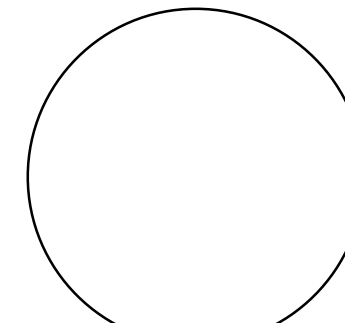
**7 NORTH ELEVATION**  
1/8"=1'-0"



**8 TRASH ENCLOSURE ELEVATIONS**  
1/8"=1'-0"

**EXTERIOR MATERIAL LEGEND**

- STC-1 CEMENTITIOUS STUCCO SYSTEM (COLOR = OFF WHITE)
- STC-2 CEMENTITIOUS STUCCO SYSTEM WITH PROJECTED FOAM SHAPE (COLOR = OFF WHITE)
- CJ STUCCO CONTROL JOINT.
- MTL-1 BREAK METAL FLASHINGS, SCUPPER HEADS AND DOWNSPOUTS (COLOR = DARK BRONZE)
- MTL-2 FLUSH CONCEALED FASTNER METAL WALL PANEL (COLOR = DARK BROWN)
- MTL-3 ARCHITECTURAL METAL PANEL - FIRESTONE DELTA CFF- 12 (50%), CFF-12B(25%), AND CFF-12T(25%) INSTALLED IN A RANDOM MANNER TO PROVIDED VARIEGATED SPACING. (COLOR = SLATE GRAY)
- AVN-1 BREAK METAL FACED CANOPY (COLOR = DARK BRONZE)
- GLZ-1 ALUMINUM STOREFRONT AND ENTRY SYSTEM (COLOR = BLACK ANODIZED) WITH DOUBLE PANE INSULATED GLASS (COLOR = GRAY TINT)
- GLZ-2 WOOD CASEMENT WINDOW WITH EXTERIOR ALUMINUM GLAZING AND 1" GRILLS. (COLOR = BLACK) WITH DOUBLE PANE INSULATED GLASS (COLOR = GRAY TINT)
- HMD-1 HOLLOW METAL DOOR AND FRAME. PAINT (COLOR = DARK BRONZE TO MATCH MTL-1)
- VD-1 COMPOSITE WOOD PANEL SYSTEM. NEWTECHWOOD EUROPEAN STYLE SIDING UH55 BELGIAN BOARD (COLOR = PERUVIAN TEAK)
- SGN-1 WALL SIGN. TO BE SUBMITTED UNDER SEPERATE SIGN PERMIT



**GUY GRONBERG ARCHITECTS, P.C.**  
113 SE 17th St.  
Lees Summit, MO 64063  
Phone: 816.524.0870  
Fax: 816.524.9570

**DOUGLAS CORNER**  
LOT 1B, LEES SUMMIT, MISSOURI 64086

This drawing has been prepared as an instrument of service by the architect or engineer and is to be used only for the project and site identified on the title block. It is not to be used for any other project, site, or purpose without the written consent of the architect or engineer. The architect or engineer does not assume any liability for the accuracy or completeness of the information provided herein. © 2023, GUY GRONBERG ARCHITECTS, P.C.

REV#	DATE	DESCRIPTION
01	6-12-23	CITY COMMENTS
02	6-26-23	TRASH ENCLOSURE

DATE: 05-12-2023  
PROJECT# 23012

