

PRELIMINARY DEVELOPMENT PLANS

FOR LOT 12 OF WEST PRYOR LEE'S SUMMIT

UTILITIES
Electric Service
EVERGY
Nathan Michael
913-347-4310
Nathan.michael@kcpl.com

Gas Service
Spire
Katie Darnell
816-969-2247
Katie.darnell@spireenergy.com

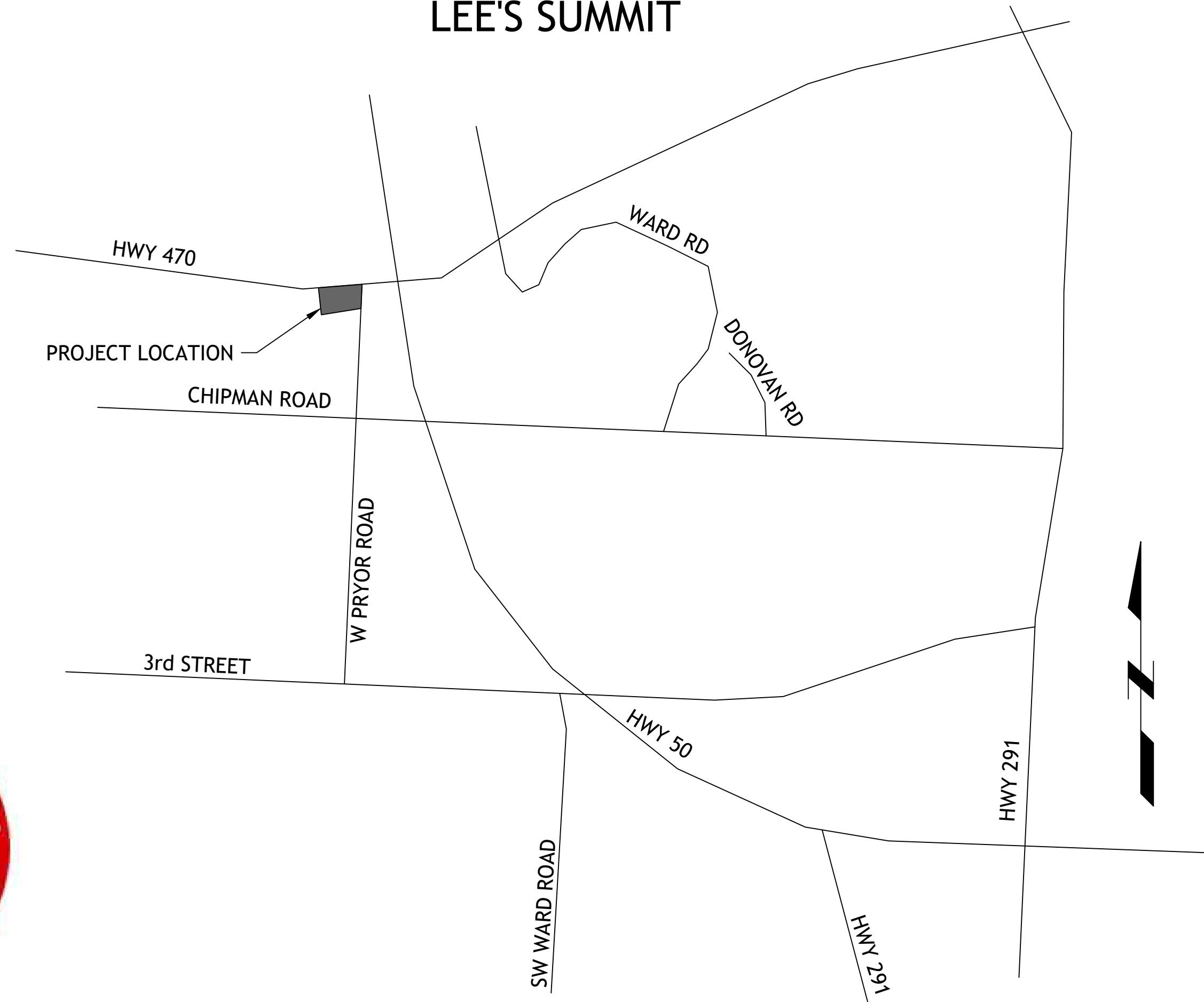
Water/Sanitary Sewer
Water Utilities Department
1200 SE Hamblen Road
Lee's Summit, Mo 64081
Jeff Thorn
816-969-1900
jeff.thorn@cityofls.net

Communication Service
AT&T Carrie Cilke
816-703-4386
cc3527@att.com

Time Warner Cable
Steve Baxter
913-643-1928
steve.baxter@charter.com

Comcast
Ryan Alkire
816-795-2218
ryan.alkire@cable.comcast.com

Google Fiber
Becky Davis
913-725-8745
rebeccadavis@google.com



LOCATION MAP

INDEX OF SHEETS

- C-1 COVER SHEET
- C-2 EXISTING CONDITIONS
- C-3 SITE PLAN
- C-4 UTILITY PLAN
- C-5 GRADING PLAN
- C-6 DETAILS
- C-7 LANDSCAPE PLAN

SM Engineering
SME
5507 High Meadow Circle
Manhattan Kansas, 66503
smcivilengr@gmail.com
785.341.9747

Drawings and/or Specifications are original proprietary work and property of the Engineer and intended specifically for this project. Use of items contained herein without consent of the Engineer is prohibited. Drawings illustrate best information available to the Engineer. Field verification of actual elements, conditions, and dimensions is required.

Revisions
7-11-22 CITY COMMENTS

UTILITY STATEMENT:

THE UNDERGROUND UTILITIES SHOWN HEREON ARE FROM FIELD SURVEY INFORMATION OF ONE-CALL LOCATED UTILITIES, FIELD SURVEY INFORMATION OF ABOVE GROUND OBSERVABLE EVIDENCE, AND/OR THE SCALING AND PLOTTING OF EXISTING UTILITY MAPS AND DRAWINGS AVAILABLE TO THE SURVEYOR AT THE TIME OF SURVEY. THE SURVEYOR MAKES NO GUARANTEE THAT THE UNDERGROUND UTILITIES SHOWN COMPRISE ALL SUCH UTILITIES IN THE AREA, EITHER IN SERVICE OR ABANDONED. FURTHERMORE, THE SURVEYOR DOES NOT WARRANT THAT THE UNDERGROUND UTILITIES SHOWN ARE IN THE EXACT LOCATION INDICATED ALTHOUGH HE DOES CERTIFY THAT THEY ARE LOCATED AS ACCURATELY AS POSSIBLE FROM INFORMATION AVAILABLE. THE SURVEYOR HAS NOT PHYSICALLY LOCATED THE UNDERGROUND UTILITIES BY EXCAVATION UNLESS OTHERWISE NOTED ON THIS SURVEY.

SAFETY NOTICE TO CONTRACTOR

IN ACCORDANCE WITH GENERALLY ACCEPTED CONSTRUCTION PRACTICE, THE CONTRACTOR WILL BE SOLELY AND COMPLETELY RESPONSIBLE FOR CONDITIONS OF THE JOB SITE, INCLUDING SAFETY OF ALL PERSONS AND PROPERTY DURING PERFORMANCE OF THE WORK. THIS REQUIREMENT WILL APPLY CONTINUOUSLY AND NOT BE LIMITED TO NORMAL WORKING HOURS.

WARRANTY/DISCLAIMER

THE DESIGNS REPRESENTED IN THESE PLANS ARE IN ACCORDANCE WITH ESTABLISHED PRACTICES OF CIVIL ENGINEERING FOR THE DESIGN FUNCTIONS AND USES INTENDED BY THE OWNER AT THIS TIME. HOWEVER, NEITHER SM ENGINEERING NOR ITS PERSONNEL CAN OR DO WARRANT THESE DESIGNS OR PLANS AS CONSTRUCTED, EXCEPT IN THE SPECIFIC CASES WHERE SM ENGINEERING PERSONNEL INSPECT AND CONTROL THE PHYSICAL CONSTRUCTION ON A CONTEMPORARY BASIS AT THE SITE.

CAUTION- NOTICE TO CONTRACTOR

THE CONTRACTOR IS SPECIFICALLY CAUTIONED THAT THE LOCATION AND/OR ELEVATION OF EXISTING UTILITIES AS SHOWN ON THESE PLANS IS BASED ON RECORDS OF THE VARIOUS UTILITY COMPANIES AND, WHERE POSSIBLE, MEASUREMENTS TAKEN IN THE FIELD. THE INFORMATION IS NOT TO BE RELIED ON AS BEING EXACT OR COMPLETE. THE CONTRACTOR MUST CALL THE APPROPRIATE UTILITY COMPANY AT LEAST 72 HOURS BEFORE ANY EXCAVATION TO REQUEST EXACT FIELD LOCATION OF UTILITIES. IT SHALL BE THE RESPONSIBILITY OF THE CONTRACTOR TO RELOCATE ALL EXISTING UTILITIES WHICH CONFLICT WITH PROPOSED IMPROVEMENTS SHOWN ON THE PLANS. THE CONTRACTOR SHALL EXPOSE EXISTING UTILITIES AT LOCATIONS OF POSSIBLE CONFLICTS PRIOR TO ANY CONSTRUCTION.

LEGAL DESCRIPTION:

LOT 12, STREETS OF WEST PRYOR, LEE'S SUMMIT, JACKSON COUNTY MISSOURI

ALL EXISTING TOPOGRAPHIC DATA AND INFRASTRUCTURE IMPROVEMENTS SHOWN BASED ON INFORMATION BY KAW VALLEY ENGINEERING

BENCHMARKS:

#1 CHISELED "SQUARE" ON TOP OF CURB POINT OF INTERSECTION OF WEST PARK PARKING LOT AT EAST DRIVE ENTRANCE
ELEVATION 985.05

#2 CHISELED "SQUARE" ON NORTHWEST CORNER AREA INLET, 25' EAST OF CURB LINE AND ON-LINE WITH SOUTH CURB OF LOWENSTEIN DRIVE AT 90° BEND IN ROAD
ELEVATION 971.06

NOTE

1. ALL CONSTRUCTION SHALL FOLLOW THE CITY OF LEE'S SUMMIT DESIGN AND CONSTRUCTION MANUAL AS ADOPTED BY ORDINANCE 5813. WHERE DISCREPANCIES EXIST BETWEEN THESE PLANS AND THE DESIGN AND CONSTRUCTION MANUAL, THE MORE STRINGENT SHALL PREVAIL.
2. THERE ARE NO GAS/OIL WELLS PER MDNR DATABASE OF OIL & GAS PERMITS
3. FLOOD ZONE CLASSIFICATION - SITE LOCATED OUTSIDE THE 100YR FLOOD PLAIN PER PANEL 20209C0152D, DATED SEPTEMBER 2, 2011

DEVELOPER

STREETS OF WEST PRYOR, LLC
DAVID N. OLSON
7200 W 133rd ST, SUITE 150
CELL: OVERLAND PARK, KS 66213
314-413-3598

ENGINEER

SM ENGINEERING
5507 High Meadow Circle
Manhattan Kansas, 66503
smcivilengr@gmail.com
785.341.9747

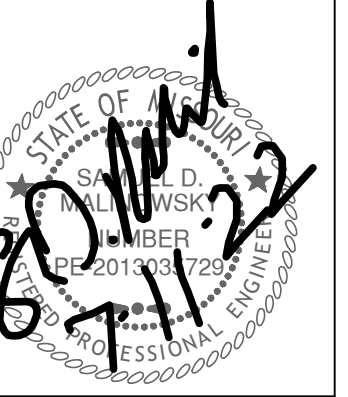


SAMUEL D. MALINOWSKY
PROFESSIONAL ENGINEER

LOT 12 OF WEST PRYOR
LEE'S SUMMIT, MISSOURI

s h e e t
C1.0
Civil
COVER SHEET
permit
23 JUNE 2022

Drawings and/or Specifications are original proprietary work and property of the Engineer and intended specifically for this project. Use of items contained herein without consent of the Engineer is prohibited. Drawings illustrate best information available to the Engineer. Field verification of actual elements, conditions, and dimensions is required.

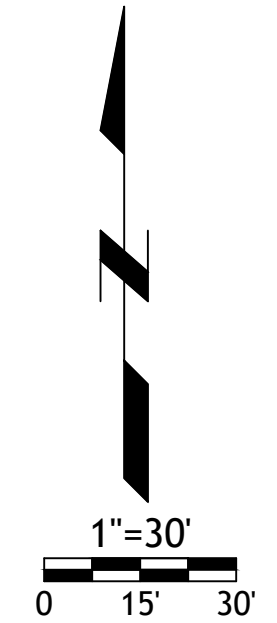


Revisions
7-11-22 CITY COMMENTS

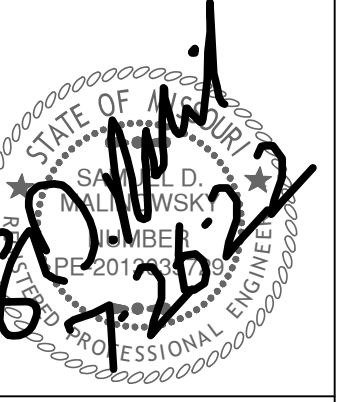
LOT 12 OF WEST PRYOR

LEES SUMMIT, MISSOURI

sheet
C2.0
Civil
EXISTING CONDITIONS
permit
23 JUNE 2022



Drawings and/or Specifications are original proprietary work and property of the Engineer and intended specifically for this project. Use of items contained herein without consent of the Engineer is prohibited. Drawings illustrate best information available to the Engineer. Field verification of actual elements, conditions, and dimensions is required.



Revisions
7-11-22 CITY COMMENTS

LOT 12 OF WEST PRYOR
LEES SUMMIT, MISSOURI

SITE DATA

LOT 12	2.49ac (108,275sf)
TOTAL SITE PAVEMENT AREA	60,372sf
TOTAL BUILDING	7,000sf
OPEN SPACE	40,903sf (37.7%)
TOTAL PARKING	117 (16.71 STALLS / 1000sf)

CONSTRUCTION NOTES:

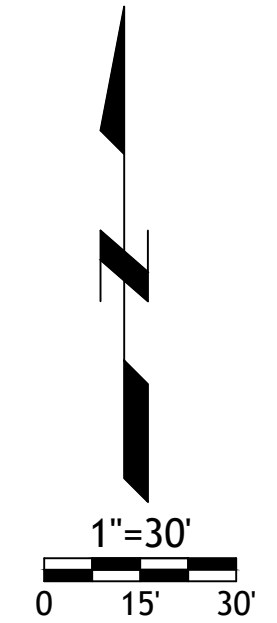
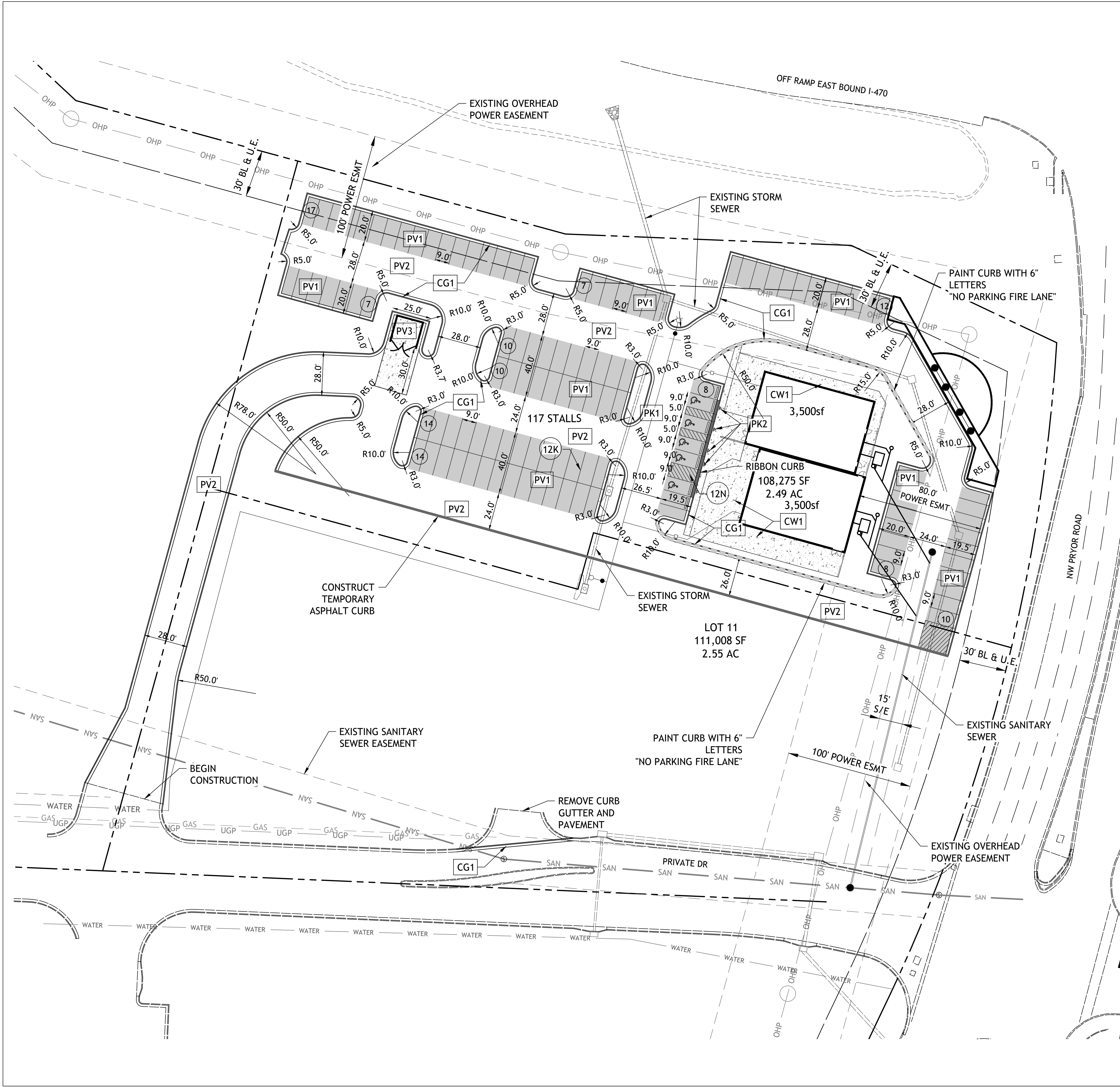
- COORDINATE START-UP AND ALL CONSTRUCTION ACTIVITIES WITH OWNER.
- CONSTRUCTION METHODS AND MATERIALS NOT SPECIFIED IN THESE PLANS ARE TO MEET OR EXCEED THE STANDARD SPECIFICATIONS.
- ALL CONSTRUCTION WORK AND UTILITY WORK OUTSIDE OF PROPERTY BOUNDARIES SHALL BE PERFORMED IN COOPERATION WITH AND IN ACCORDANCE WITH REGULATIONS OF THE AUTHORITIES CONCERNED.
- PUBLIC CONVENIENCE AND SAFETY: THE CONTRACTOR SHALL CONDUCT THE WORK IN A MANNER THAT WILL INSURE, AS FAR AS PRACTICABLE, THE LEAST OBSTRUCTION TO TRAFFIC, AND SHALL PROVIDE FOR TI-1E CONVENIENCE AND SAFETY OF THE GENERAL PUBLIC AND RESIDENTS ALONG AND ADJACENT TO STREETS IN THE CONSTRUCTION AREA.
- ALL DIMENSIONS SHOWN ARE TO THE BACK OF CURB UNLESS OTHERWISE NOTED.
- ACCESSIBLE STALLS SHOWN WITH A "VAN" SHALL BE 16'-0" MIN. AND SHALL HAVE A SIGN DESIGNATING "VAN-ACCESSIBLE". SEE DETAIL102.

NOTE:

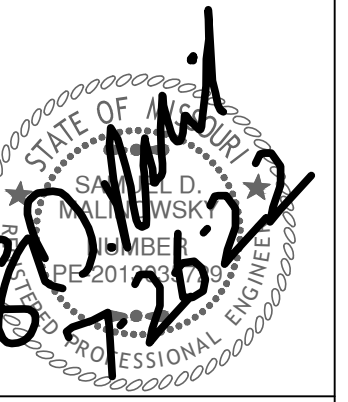
- CONTRACTOR SHALL REFER TO ARCHITECTURAL PLANS FOR EXACT LOCATIONS AND DIMENSIONS OF ENTRANCE. SLOPED PAVING, EXIT PORCHES AND RAMPS, PRECISE BUILDING DIMENSIONS AND EXACT BUILDING UTILITY ENTRANCE LOCATIONS.
- THESE PLANS HAVE NOT BEEN VERIFIED WITH FINAL ARCHITECTURAL CONTRACT DRAWINGS. CONTRACTOR SHALL VERIFY AND NOTIFY THE ENGINEER OF ANY DISCREPANCIES. CONTRACTOR IS FULLY RESPONSIBLE FOR REVIEW AND COORDINATION OF ALL DRAWINGS AND CONTRACTOR DOCUMENTS.
- ALL DIMENSIONS ARE PERPENDICULAR TO PROPERTY LINE.
- ACTUAL SIGN LOCATIONS TO BE COORDINATED WITH CONSTRUCTION MANAGER.

- SEE DETAIL SHEET FOR THE FOLLOWING DETAILS:
- PK-1 96" ACCESSIBLE & VAN ACCESSIBLE SPACE STRIPING
 - PK-2 ACCESSIBLE SIGN
 - SG-1 BOLLARD DETAIL
 - CG-1 TYPE B CURB AND GUTTER
 - CW1 CURB WALK AT BUILDING
 - PV1 REGULAR DUTY PAVEMENT
 - PV2 HEAVY DUTY ASPHALT PAVEMENT
 - PV3 HEAVY DUTY CONCRETE PAVEMENT
 - CW2 SIDEWALK

- NOTES:
- 8A DOOR (SEE ARCH. PLANS)
 - 12K YELLOW PARKING LOT STRIPING (SHERWIN-WILLIAMS TM 2160 LEAD FREE OR APPROVED EQUAL)
 - 12N 4" YELLOW STRIPES 3'-0" O.C.
 - 510 CLEAN-OUT (SEE GRADING PLAN)
 - 11 PAINT CURB RED

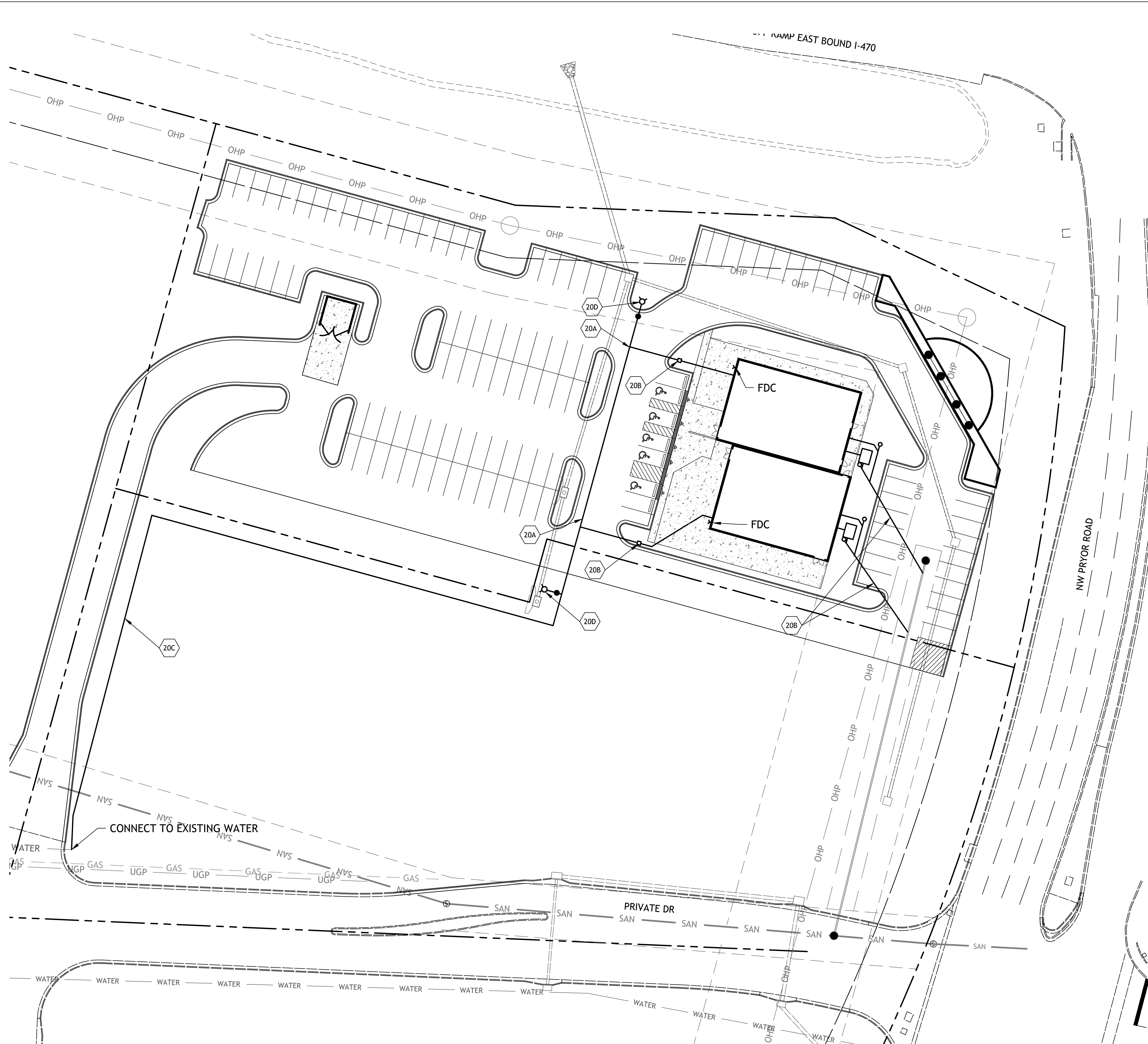


Drawings and/or Specifications are original proprietary work and property of the Engineer and intended specifically for this project. Use of items contained herein without consent of the Engineer is prohibited. Drawings illustrate best information available to the Engineer. Field verification of actual elements, conditions, and dimensions is required.



Revisions
7-11-22 CITY COMMENTS

LOT 12 OF WEST PRYOR
LEE'S SUMMIT, MISSOURI



UTILITY NOTES:

1. ALL UTILITY AND STORM SEWER TRENCHES CONSTRUCTED UNDER AREAS THAT RECEIVE PAVING SHALL BE BACKFILLED TO 18 INCHES ABOVE THE TOP OF THE PIPE WITH SELECT GRANULAR MATERIAL PLACED ON EIGHT-INCH LIFTS, AND COMPACTED TO 95% MODIFIED PROCTOR DENSITY.
2. CONTRACTOR SHALL NOT OPEN, TURN OFF, INTERFERE WITH, OR ATTACH ANY PIPE OR HOSE TO OR TAP ANY WATER MAIN BELONGING TO THE CITY UNLESS DULY AUTHORIZED TO DO SO BY THE CITY. ANY ADVERSE CONSEQUENCE OF ANY SCHEDULED OR UNSCHEDULED DISRUPTIONS OF SERVICE TO THE PUBLIC ARE TO BE THE LIABILITY OF THE CONTRACTOR. SM ENGINEERING AND OWNER ARE TO BE HELD HARMLESS.
3. ALL WATER AND SANITARY SEWER SYSTEMS THAT ARE TO BE PUBLIC LINES SHALL BE CONSTRUCTED IN ACCORDANCE WITH SPECIFICATIONS PREVIOUSLY APPROVED BY THE CITY OF LEE'S SUMMIT AND THE STATE OF MISSOURI AND SHALL BE INSPECTED BY THE CITY. IT IS THE CONTRACTOR'S RESPONSIBILITY TO ASSURE THAT THIS INSPECTION OCCURS.
4. LOCATIONS SHOWN FOR PROPOSED WATER LINES ARE APPROXIMATE. VARIATIONS MAY BE MADE, WITH APPROVAL OF THE ENGINEER, TO AVOID CONFLICTS.
5. CONTRACTOR TO INSTALL TRACING TAPE ALONG ALL NON-METALLIC WATER MAINS AND SERVICE LINES PER SPECIFICATIONS.
6. CONTRACTOR SHALL EXPOSE EXISTING UTILITIES AT LOCATIONS OF POSSIBLE CONFLICT AND POINTS OF CONNECTION PRIOR TO ANY CONSTRUCTION OF NEW UTILITIES.
7. WATER LINES SHALL HAVE A MINIMUM COVER OF 42 INCHES. ALL VALVES ON MAINS AND FIRE HYDRANT LEADS SHALL BE WITH VALVE BOX ASSEMBLIES. THE SIZE OF VALVE BOX ASSEMBLY TO BE INSTALLED IS DETERMINED BY THE TYPE AND SIZE OF VALVE. VALVE BOX CAPS SHALL HAVE THE WORD "WATER".
8. A MINIMUM HORIZONTAL DISTANCE OF 10 FEET SHALL BE MAINTAINED BETWEEN PARALLEL WATER AND SANITARY SEWER LINES. WHEN IT IS NECESSARY FOR ANY WATER LINE TO CROSS A SANITARY SEWER LINE, THE SEWER LINE SHALL BE CONSTRUCTED OF DUCTILE IRON PIPE AT LEAST 10 FEET EITHER SIDE OF THE WATER LINE UNLESS THE WATER LINE IS AT LEAST 2 FEET CLEAR DISTANCE ABOVE THE SANITARY SEWER LINE.
9. INSTALL 2" TYPE "K" COPPER FROM THE MAIN TO THE METER AND EITHER TYPE "K" OR POLYETHYLENE PLASTIC TUBING (PE 3608) FROM METER TO STOP AND WASTE VALVE INSIDE BUILDING.
10. CONTRACTOR RESPONSIBLE FOR PROVIDING CASEMENT FOR ELECTRICAL SERVICE PER KCP&L
11. SANITARY SEWER SERVICE CONNECTIONS WILL BE MADE WITH A CUT IN WYE

DETAILS

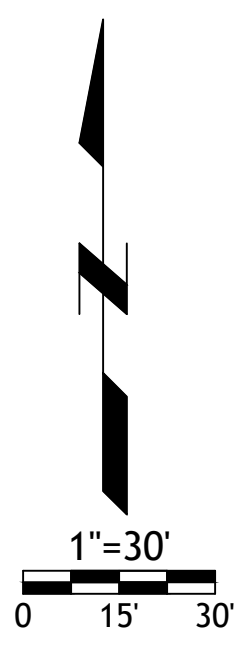
- MS1 TRENCH AND BEDDING DETAILS
- SS2 2-WAY CLEAN-OUT
- WAT-11 WATER SERVICE CONNECTION
- WAT-7 FIRE HYDRANT
- CO CLEANOUT

NOTES

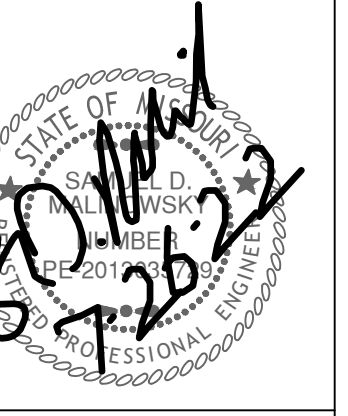
- 20A POINT OF CONNECTION - WATER SERVICE
- 20B 2" TAP AND METER WITH 2" SERVICE LINE
- 20C 8" C-900 WATERLINE
- 20D FIRE HYDRANT ASSEMBLY
- 59 4" SANITARY SEWER SERVICE LINE-SDR-26 PVC

UTILITY STATEMENT:

THE UNDERGROUND UTILITIES SHOWN HEREON ARE FROM FIELD SURVEY INFORMATION OF ONE-CALL LOCATED UTILITIES, FIELD SURVEY INFORMATION OF ABOVE GROUND OBSERVABLE EVIDENCE, AND/OR THE SCALING AND PLOTTING OF EXISTING UTILITY MAPS AND DRAWINGS AVAILABLE TO THE SURVEYOR AT THE TIME OF SURVEY. THE SURVEYOR MAKES NO GUARANTEE THAT THE UNDERGROUND UTILITIES SHOWN COMPRISE ALL SUCH UTILITIES IN THE AREA, EITHER IN SERVICE OR ABANDONED. FURTHERMORE, THE SURVEYOR DOES NOT WARRANT THAT THE UNDERGROUND UTILITIES SHOWN ARE IN THE EXACT LOCATION INDICATED ALTHOUGH HE DOES CERTIFY THAT THEY ARE LOCATED AS ACCURATELY AS POSSIBLE FROM INFORMATION AVAILABLE. THE SURVEYOR HAS NOT PHYSICALLY LOCATED THE UNDERGROUND UTILITIES BY EXCAVATION UNLESS OTHERWISE NOTED ON THIS SURVEY.

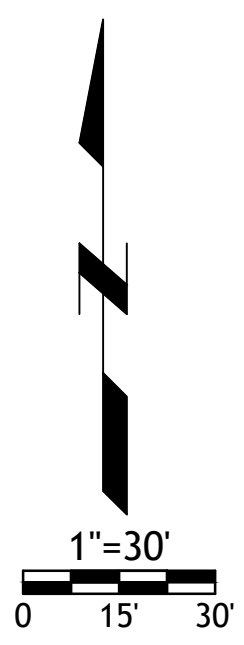
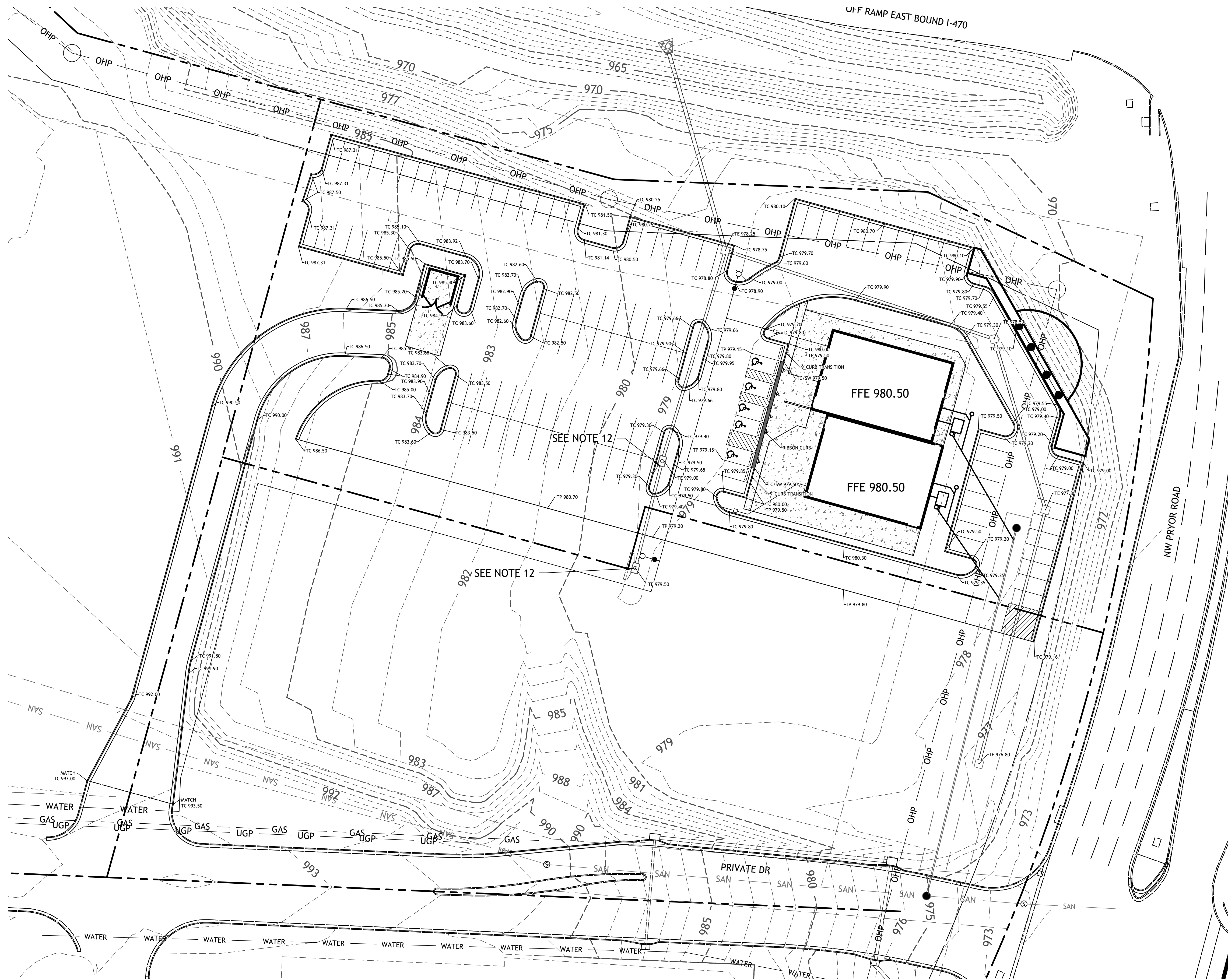


Drawings and/or Specifications are original proprietary work and property of the Engineer and intended specifically for this project. Use of items contained herein without consent of the Engineer is prohibited. Drawings illustrate best information available to the Engineer. Field verification of actual elements, conditions, and dimensions is required.



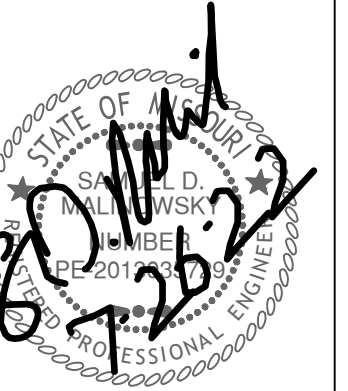
Revisions
7-11-22 CITY COMMENTS

- GRADING NOTES:**
1. EARTHWORK UNDER THE BUILDING SHALL COMPLY WITH THE PROJECT ARCHITECTURAL PLANS. OTHER FILL MATERIAL SHALL BE MADE IN LIFTS NOT TO EXCEED EIGHT INCHES DEPTH COMPACTED TO 95% STANDARD PROCTOR DENSITY. FILL MATERIAL MAY INCLUDE ROCK FROM ON-SITE EXCAVATION IF CAREFULLY PLACED SO THAT LARGE STONES ARE WELL DISTRIBUTED AND VOIDS ARE COMPLETELY FILLED WITH SMALLER STONES, EARTH, SAND OR GRAVEL TO FURNISH A SOLID EMBANKMENT. NO ROCK LARGER THAN THREE INCHES IN ANY DIMENSION NOR ANY SHALE SHALL BE PLACED IN THE TOP 12 INCHES OF EMBANKMENT.
 2. AREAS THAT ARE TO BE CUT TO SUBGRADE LEVELS SHALL BE PROOF ROLLED WITH A MODERATELY HEAVY LOADED DUMP TRUCK OR SIMILAR APPROVED CONSTRUCTION EQUIPMENT TO DETECT UNSUITABLE SOIL CONDITIONS.
 3. IN ALL AREAS OF EXCAVATION, IF UNSUITABLE SOIL CONDITIONS ARE ENCOUNTERED, A QUALIFIED GEOTECHNICAL ENGINEER SHALL RECOMMEND TO THE OWNER THE METHODS OF UNDERCUTTING AND REPLACEMENT OF PROPERLY COMPACTED, APPROVED FILL MATERIAL. ALL PROOF ROLLING AND UNDERCUTTING SHOULD BE PERFORMED DURING A PERIOD OF DRY WEATHER.
 4. CONTRACTOR SHALL USE SILT FENCE OR OTHER MEANS OF CONTROLLING EROSION ALONG THE EDGE OF THE PROPERTY OR OTHER BOTTOM OF SLOPE LOCATIONS.
 5. CONTRACTOR IS TO REMOVE AND DISPOSE OF ALL DEBRIS, RUBBISH AND OTHER MATERIALS RESULTING FROM PREVIOUS AND CURRENT DEMOLITION OPERATIONS.
 6. THE CONTRACTOR SHALL TAKE ALL PRECAUTIONS NECESSARY TO AVOID PROPERTY DAMAGE TO ADJACENT PROPERTIES DURING THE CONSTRUCTION PHASES OF THIS PROJECT. THE CONTRACTOR WILL BE HELD SOLELY RESPONSIBLE FOR ANY DAMAGES TO THE ADJACENT PROPERTIES OCCURRING DURING THE CONSTRUCTION PHASES OF THIS PROJECT.
 7. IT IS NOT THE DUTY OF THE ENGINEER OR THE OWNER TO REVIEW THE ADEQUACY OF THE CONTRACTOR'S SAFETY MEASURES, IN, ON OR NEAR THE CONSTRUCTION SITE AT ANY TIME DURING CONSTRUCTION.
 8. PIPE LENGTHS ARE CENTER TO CENTER OF STRUCTURE OR TO END OF END SECTIONS.
 9. HANDICAP STALLS SHALL MEET ADA REQUIREMENTS AND SHALL NOT EXCEED 2% SLOPE IN ANY DIRECTION AT THE BUILDING ENTRY AND ACCESSIBLE PARKING STALLS. SLOPES EXCEEDING 2.0% WILL BE REPLACED AT THE CONTRACTOR'S EXPENSE.
 10. ALL CONSTRUCTION TRAFFIC, TEMPORARY TRAFFIC CONTROL DEVICES AND PAVEMENT MARKINGS SHALL CONFORM TO REQUIREMENTS OF THE LATEST MANUAL OF UNIFORM TRAFFIC CONTROL DEVICES.
 11. CONTRACTOR TO PLACE 8" LOW PERMEABILITY LVC FOR BUILDING PAD
 12. CONTRACTOR TO CONSTRUCT THROATS TO CURB INLETS.



LOT 12 OF WEST PRYOR
LEE'S SUMMIT, MISSOURI

Drawings and/or Specifications are original proprietary work and property of the Engineer and intended specifically for this project. Use of items contained herein without consent of the Engineer is prohibited. Drawings illustrate best information available to the Engineer. Field verification of actual elements, conditions, and dimensions is required.



Revisions
7-11-22 CITY COMMENTS

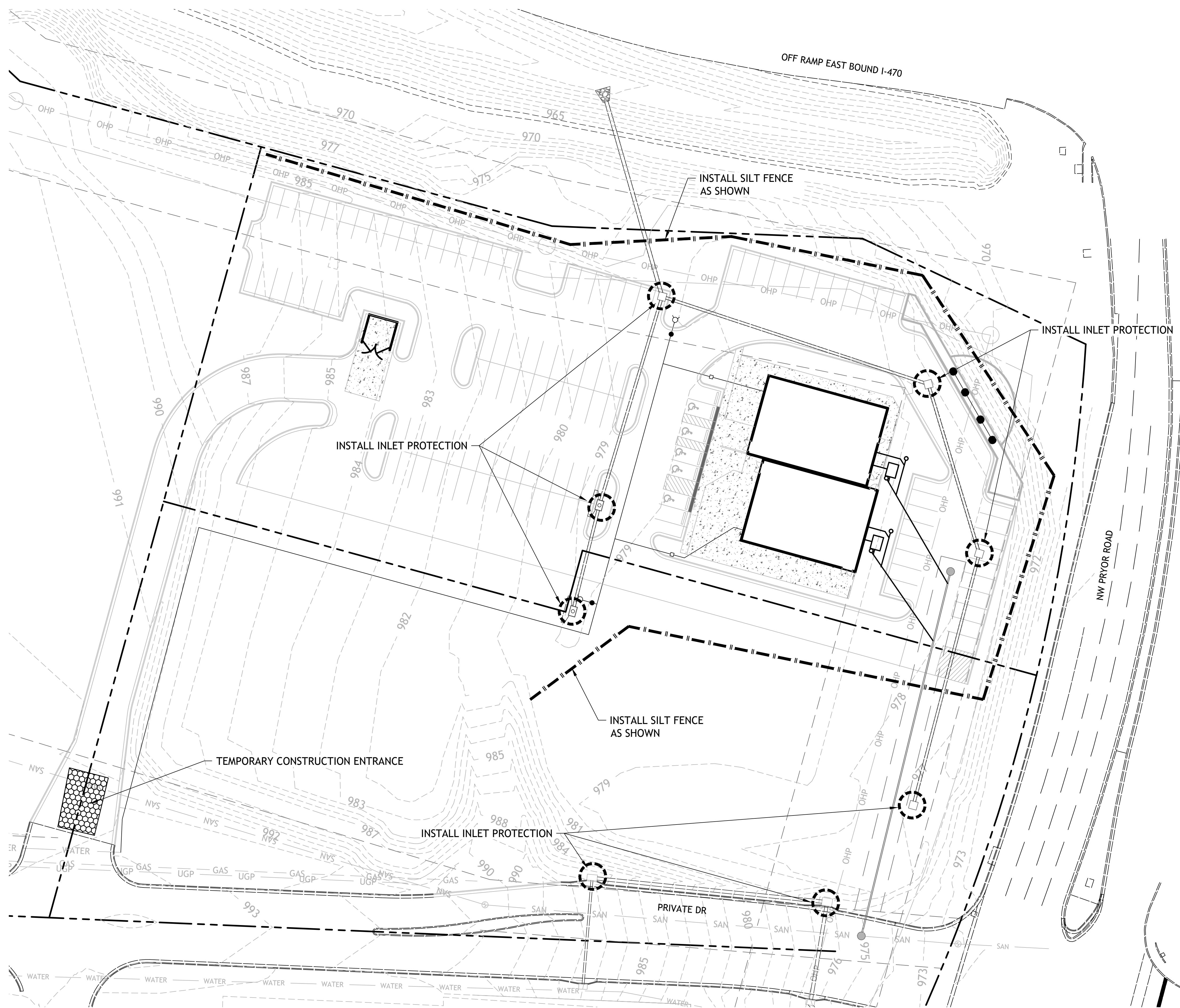
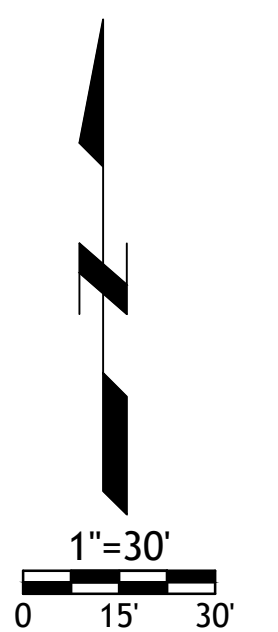
LOT 12 OF WEST PRYOR
LEES SUMMIT, MISSOURI

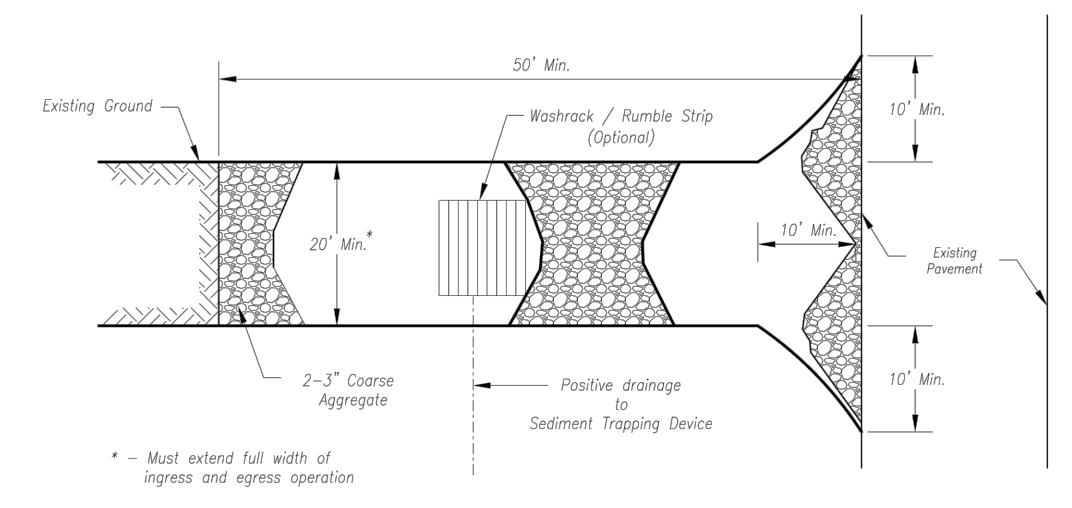
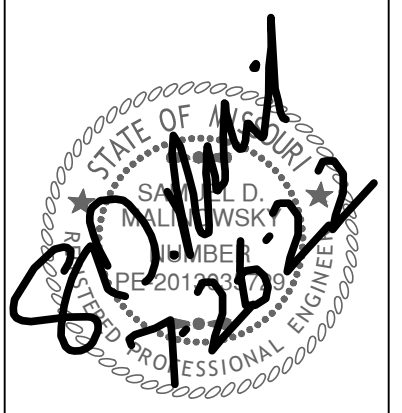
sheet
C6.0
Civil
EROSION CONTROL
PLAN
PERMIT
23 JUNE 2022

- NOTES:
- Prior to Land Disturbance activities, the following shall occur:
 - Identify the limits of construction on the ground with easily recognizable indications such as construction staking, construction fencing and placement of physical barriers or other means acceptable to the City Inspector and in conformance with the erosion and pollution control plan;
 - Construct a stabilized entrance/parking/staging area;
 - Install perimeter controls and protect any existing stormwater inlets;
 - Request an initial inspection of the installed Phase I pollution control measures designated on the approved erosion and pollution control plan. Land disturbance work shall not proceed until there is a passed inspection.
 - The site shall comply with all requirements of the MoDNR general requirements
 - Immediate initiation of temporary stabilization BMPs on disturbed areas where construction activities have temporarily ceased on that portion of the project site if construction activities will not resume for a period exceeding 14 calendar days. Temporary stabilization may include establishment of vegetation, geotextiles, mulches or other techniques to reduce or eliminate erosion until either final stabilization can be achieved or until further construction activities take place to re-disturb the area. This stabilization must be completed within 14 calendar days;
 - Inspection of erosion and sediment control measures shall be performed to meet or exceed the minimum inspection frequency in the MoDNR General Permit. At a minimum, inspections shall be performed during all phases of construction at least once every 14 days and within 24 hours of each precipitation event.
 - An inspection log shall be maintained and shall be available for review by the regulatory authority;
 - The erosion and pollution control plan shall be routinely updated to show all modifications and amendments to the original plan. A copy of the erosion and pollution control plan shall be kept on site and made available for review by the regulatory authority.
 - Temporary seeding shall only be used for periods not to exceed 12 months. For final stabilization, temporary seeding shall only be used to establish vegetation outside the permanent seeding or sodding dates as specified in the Standard Specifications. Final stabilization requires a uniform perennial vegetative cover with a density of 70% over 100% of disturbed area.
 - Erosion and pollution control shall be provided for the duration of a project. All installed erosion and pollution control BMPs shall be maintained in a manner that preserves their effectiveness. If the City determines that the BMPs in place do not provide adequate erosion and pollution control at any time during the project, additional or alternate measures that provide effective control shall be required.
 - Concrete wash or rinse water from concrete mixing equipment. Tools and/or ready-mix trucks, etc. may not be discharged into or be allowed to run to any existing water body or portion of the storm water system. One or more locations for concrete washout will be designated on site, such that discharges during concrete washout will be contained in a small area where waste concrete can solidify in place. Proper signage will be installed to direct users to the concrete washout. Concrete washouts must be handled prior to pouring any concrete.
 - Silt fences and sediment control BMPs which are shown along the back of curb must be installed within two weeks of curb backfill and prior to placement of base asphalt. Exact locations of these erosion control methods may be field adjusted to minimize conflicts with utility construction. However, anticipated disturbance by utility construction shall not delay installation.
 - Required sediment basins and traps shall be installed as early as possible during mass grading. Sediment basins and traps shall be cleaned out when the sediment capacity has been reduced by 20% of its original design volume.
 - All manufactured BMPs such as erosion control blankets, TRMs, biodegradable logs, filter socks, synthetic sediment barriers and hydraulic erosion control shall be installed as directed by the manufacturer.
 - The above requirements are the responsibility of the permittee for the site. Responsibility may be transferred to another party by the permittee, but the permittee shall remain liable by the City of Lee's Summit if any of the above conditions are not met.

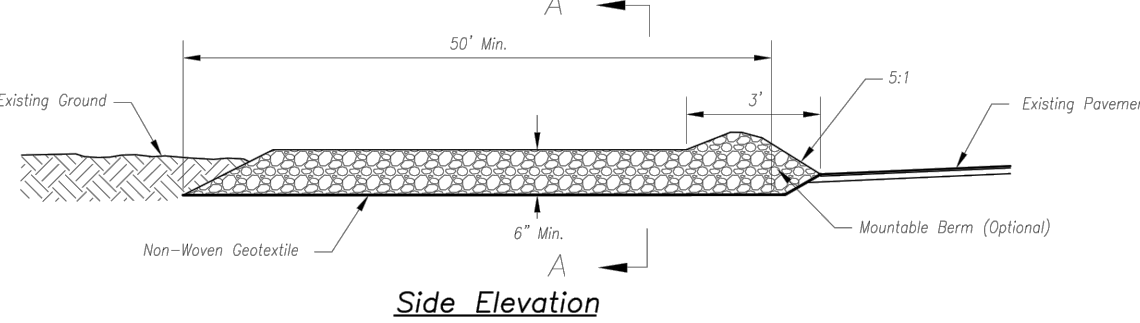
LEGEND

- SILT FENCE
- INLET PROTECTION
- TEMPORARY CONSTRUCTION ENTRANCE

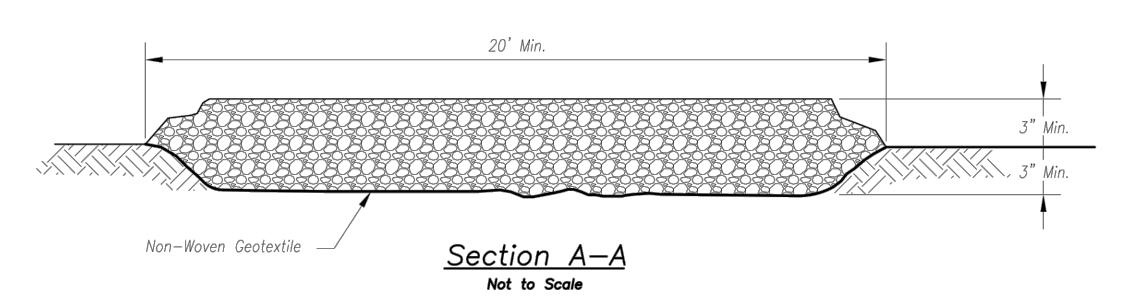




Plan View
 Not to Scale



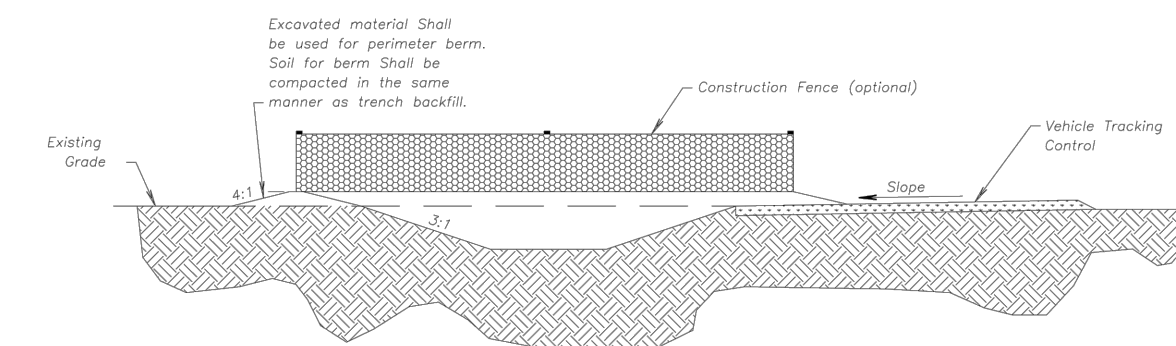
Side Elevation
 Not to Scale



Section A-A
 Not to Scale

- Notes for Concrete Washout:**
1. Concrete washout areas shall be installed prior to any concrete placement on site.
 2. Concrete washout areas shall include a flat substrate pit sized relative to the amount of concrete to be placed on site. The slope leading out of the substrate pit shall be 5:1. The vehicle tracking pad shall be sloped towards the concrete washout area.
 3. Vehicle tracking control is required at the access point to all concrete washout areas.
 4. Signs shall be placed at the construction site entrance, washout area and elsewhere as necessary to clearly indicate the location(s) of the concrete washout area(s) to operators of concrete trucks and pump rigs.
 5. A one-way impervious liner may be required along the bottom and sides of the substrate pit in sandy or gravelly soils.

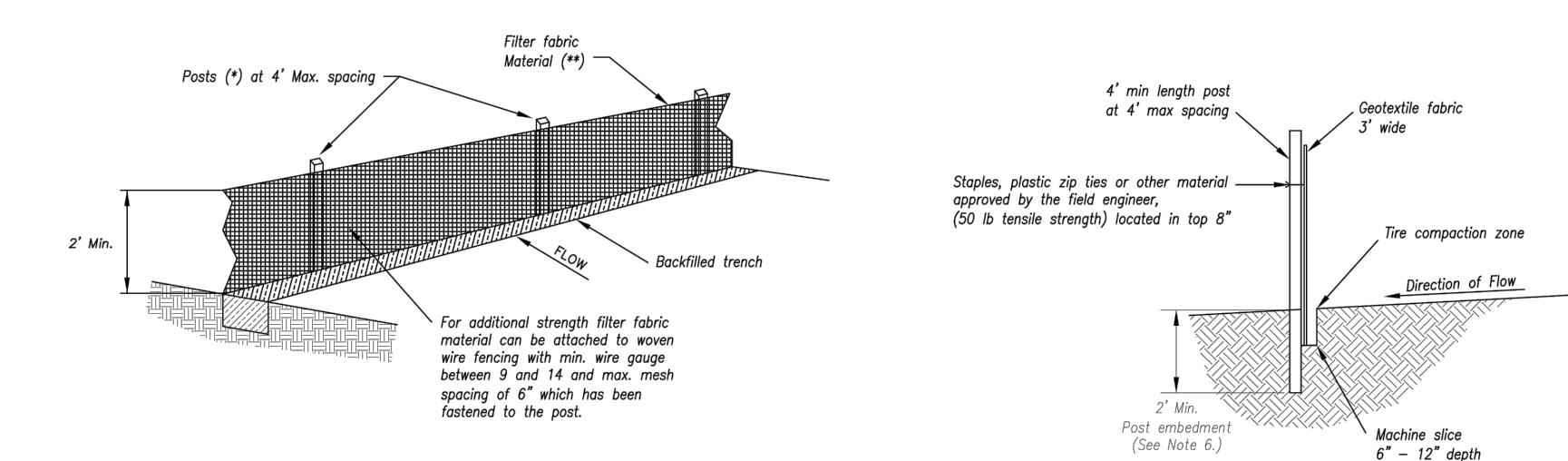
- Maintenance for Concrete Washout:**
1. Concrete washout materials shall be removed once the materials have filled the washout to approximately 75% full.
 2. Concrete washout areas shall be enlarged as necessary to maintain capacity for washed concrete.
 3. Concrete washout water, washed pieces of concrete and all other debris in the substrate pit shall be transported from the job site in a water-tight container and disposed of properly.
 4. Concrete washout areas shall remain in place until all concrete for the project is placed.
 5. When concrete washout areas are removed, excavations shall be filled with suitable compacted backfill and basins, any disturbed areas associated with the installation, maintenance, and/or removal of the concrete washout areas shall be stabilized.



CONCRETE WASHOUT

AMERICAN PUBLIC WORKS ASSOCIATION	
KANSAS CITY METRO CHAPTER	
CONSTRUCTION ENTRANCE AND CONCRETE WASHOUT	STANDARD DRAWING NUMBER ESC-01 ADOPTED: 10/24/2016

Construction Entrance modified from 2015 Overland Park Standard Details for Erosion and Sediment Control; Concrete Washout modified from 2009 City of Great Bend Standard Drawings.



- (*) EODIS
 - MIN. LENGTH 4'
 - HARDWOOD 1 3/4\"/>

(**) - Geotextile Fabric shall meet the requirements of ASTM D 4833

SILT FENCE DETAILS
 Not to Scale

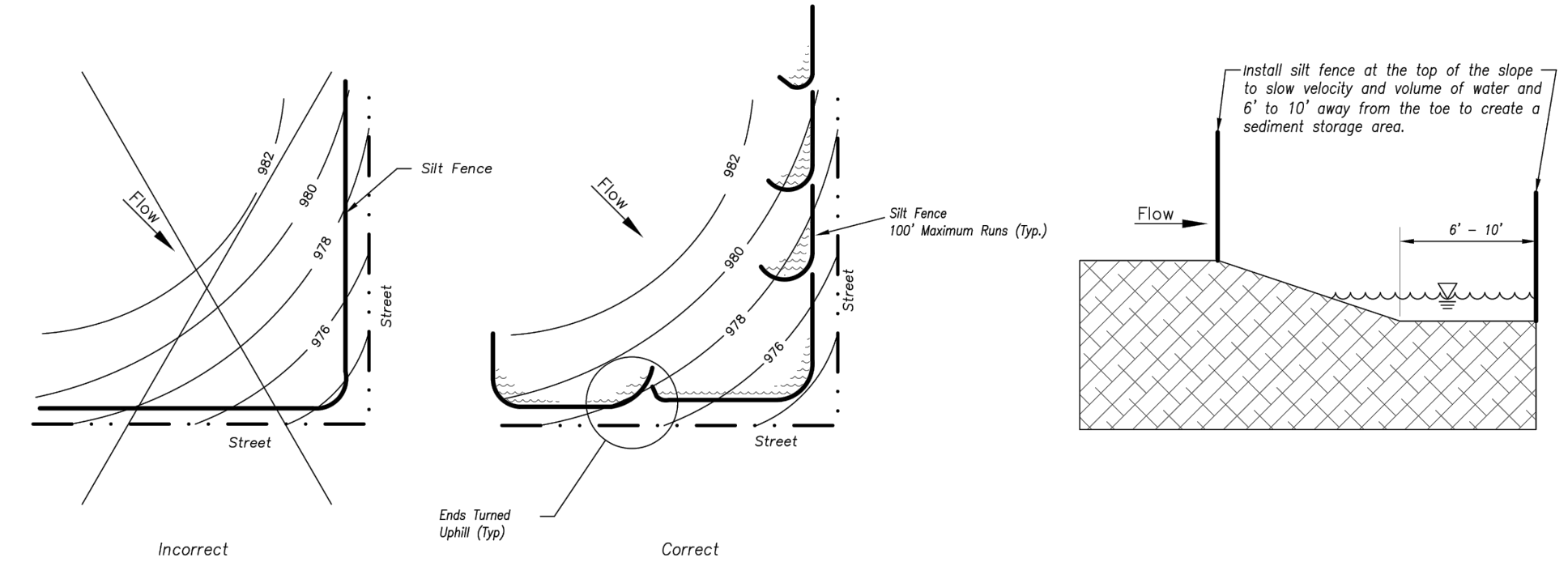
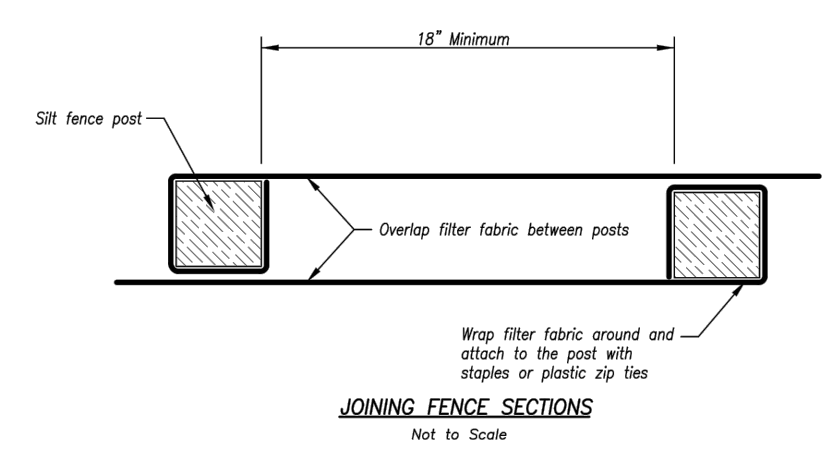


Figure A

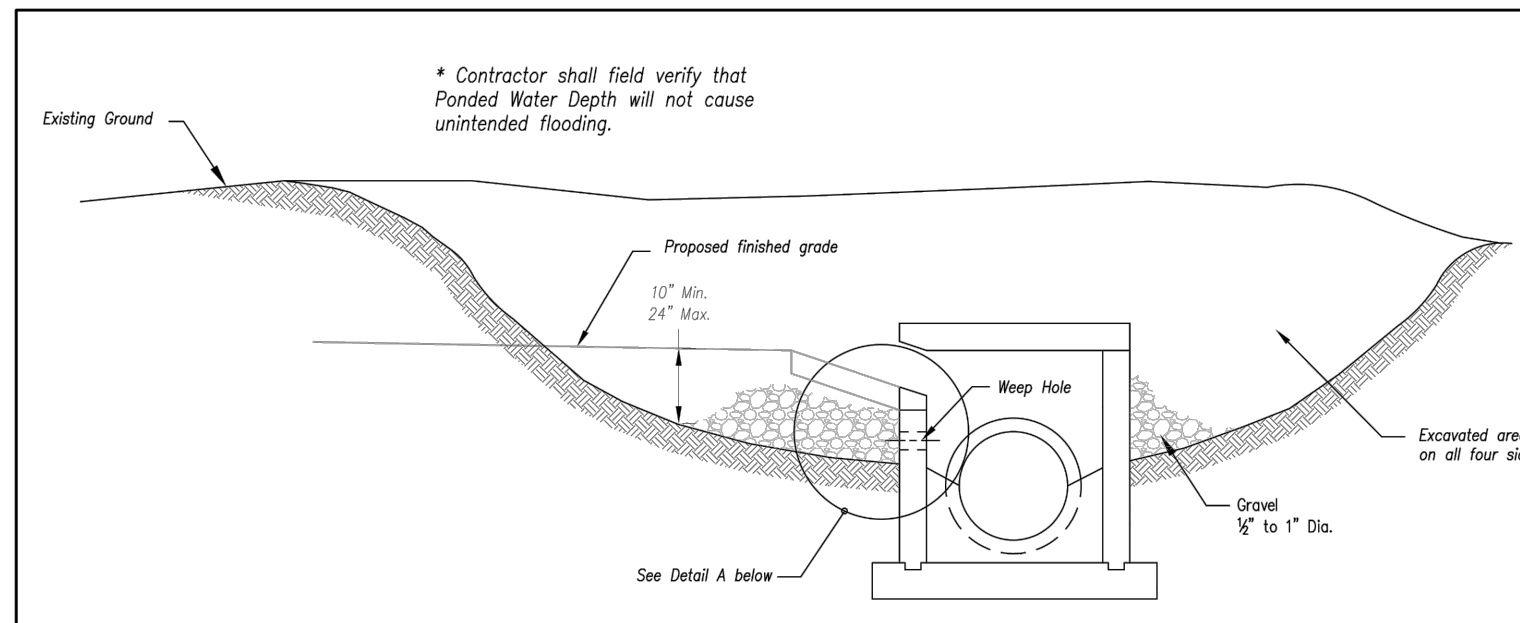
SILT FENCE LAYOUT
 Not to Scale



JOINING FENCE SECTIONS
 Not to Scale

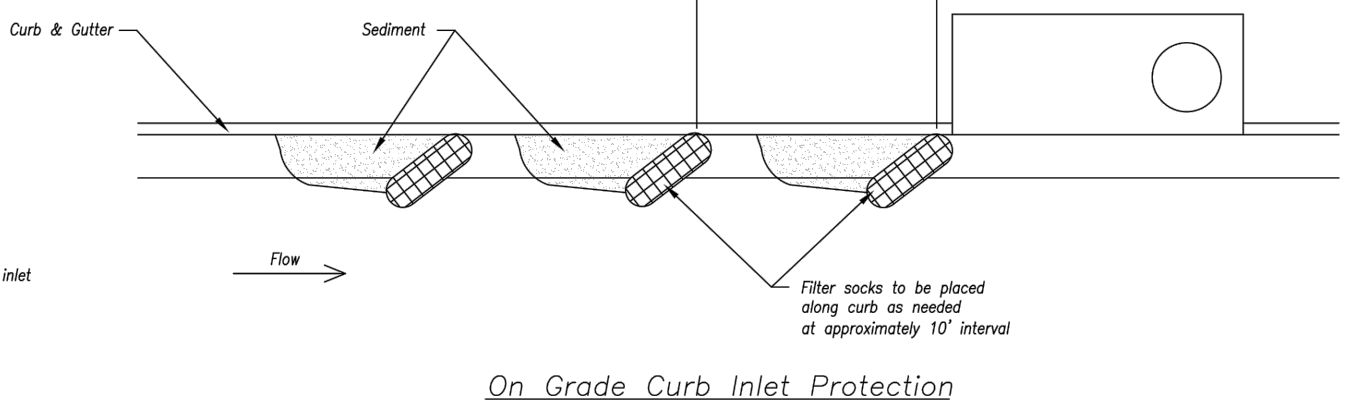
AMERICAN PUBLIC WORKS ASSOCIATION	
KANSAS CITY METRO CHAPTER	
SILT FENCE	STANDARD DRAWING NUMBER ESC-03 ADOPTED: 10/24/2016

Modified from 2015 Overland Park Standard Details for Erosion and Sediment Control.

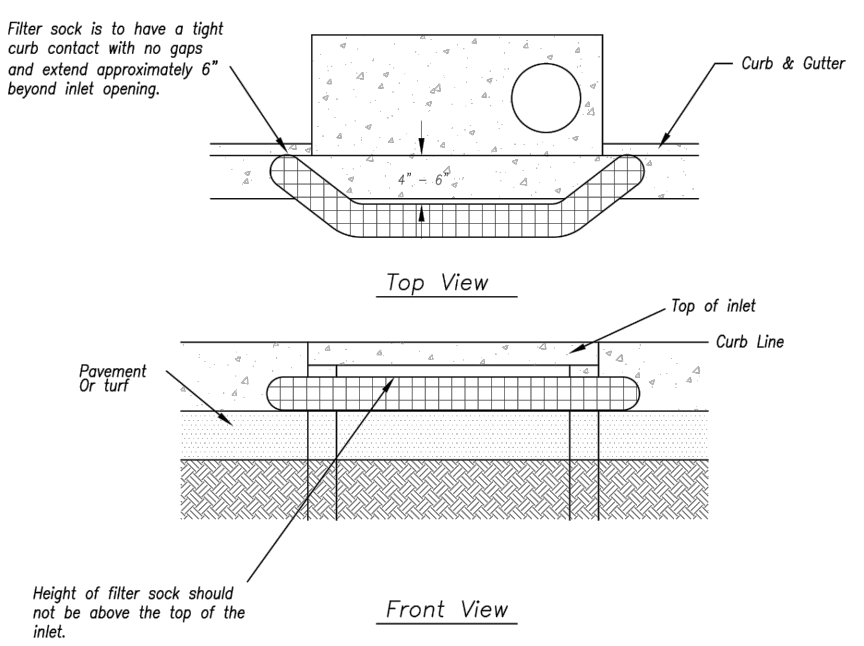


Detail A

EARLY STAGE CURB INLET
 (Open Box and Prior to Pouring Curb and Inlet Throat)



On Grade Curb Inlet Protection



Sump Inlet Sediment Filter

LATE STAGE CURB INLET
 (After Pouring Curb and Inlet Throat)

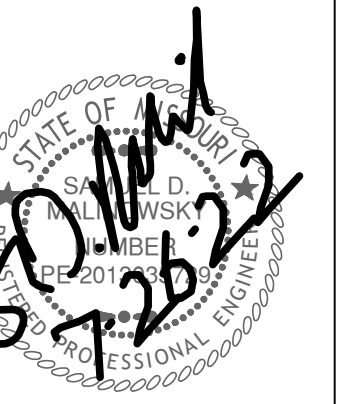
- Notes:**
1. Immediately following inlet construction and prior to construction of curb and inlet throat, protect inlet opening by installing 2\"/>

- Maintenance:**
1. Remove deposited sediment from excavated storage areas when available storage has been reduced by 50%.
 2. Remove deposited sediment from filter socks or similar when any accumulation of sediment is visible.
 3. Repair or replace as necessary to maintain function and integrity of installation.

AMERICAN PUBLIC WORKS ASSOCIATION	
KANSAS CITY METRO CHAPTER	
CURB INLET PROTECTION	STANDARD DRAWING NUMBER ESC-06 ADOPTED: 10/24/2016

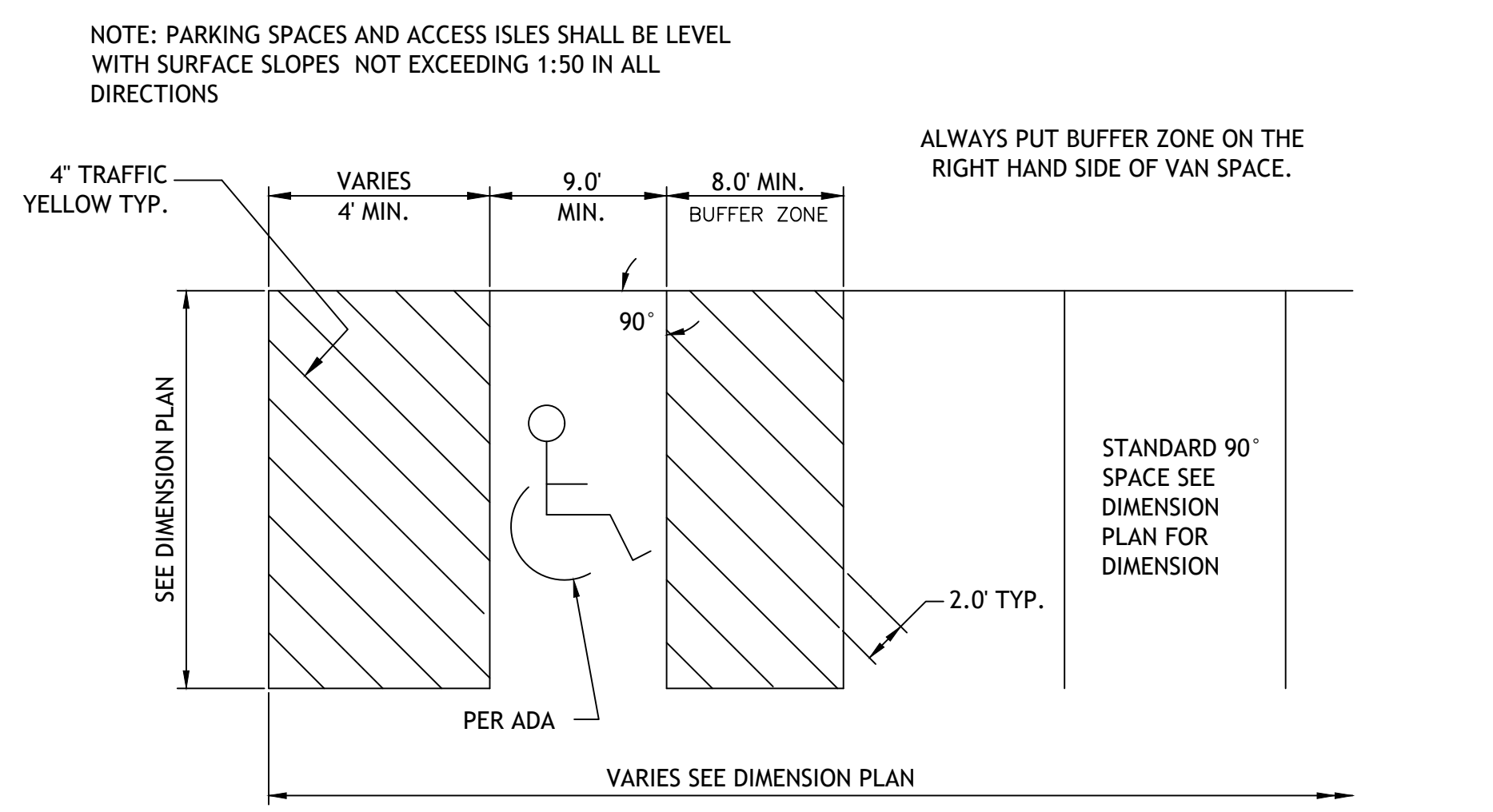
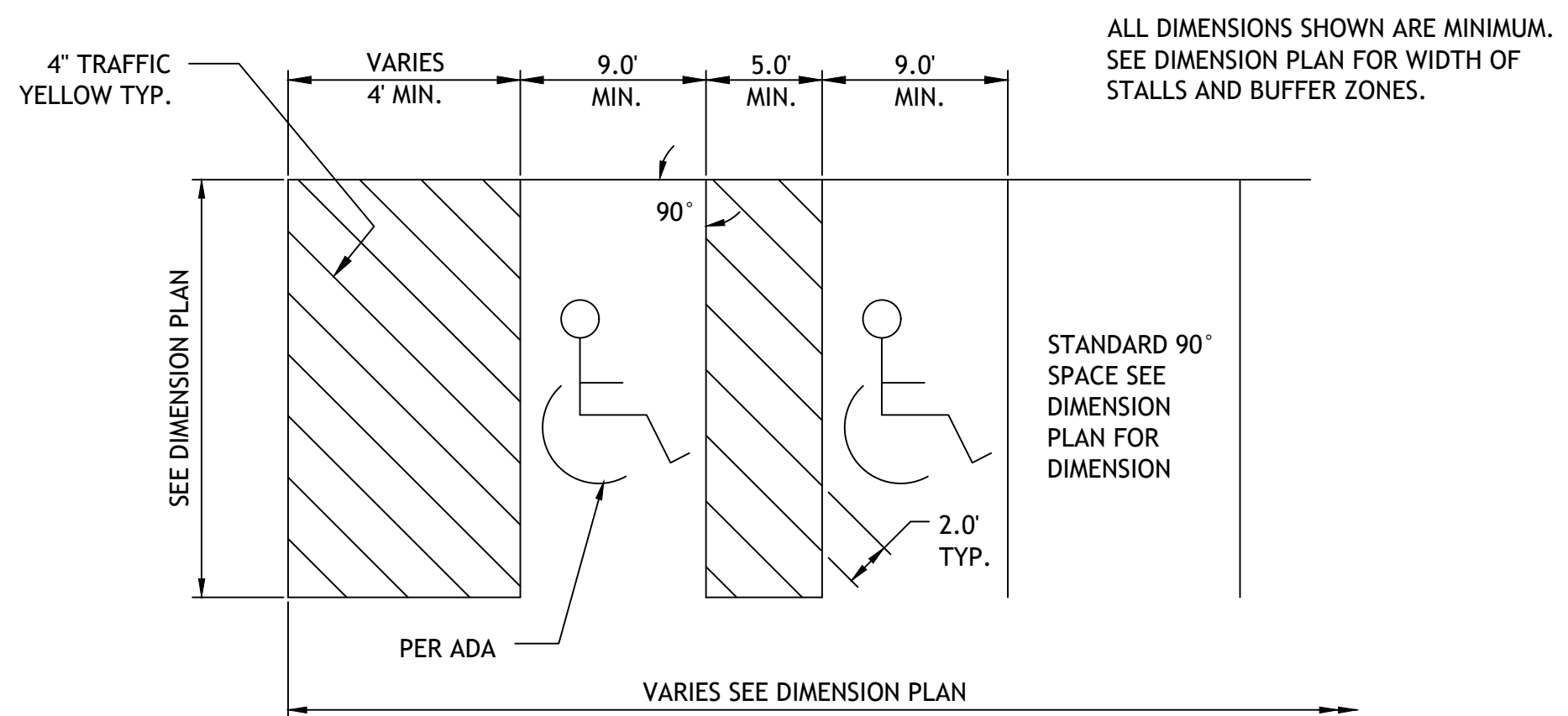
Modified from 2015 Overland Park Standard Details for Erosion and Sediment Control.

Drawings and/or Specifications are original proprietary work and property of the Engineer and intended specifically for this project. Use of items contained herein without consent of the Engineer is prohibited. Drawings illustrate best information available to the Engineer. Field verification of actual elements, conditions, and dimensions is required.

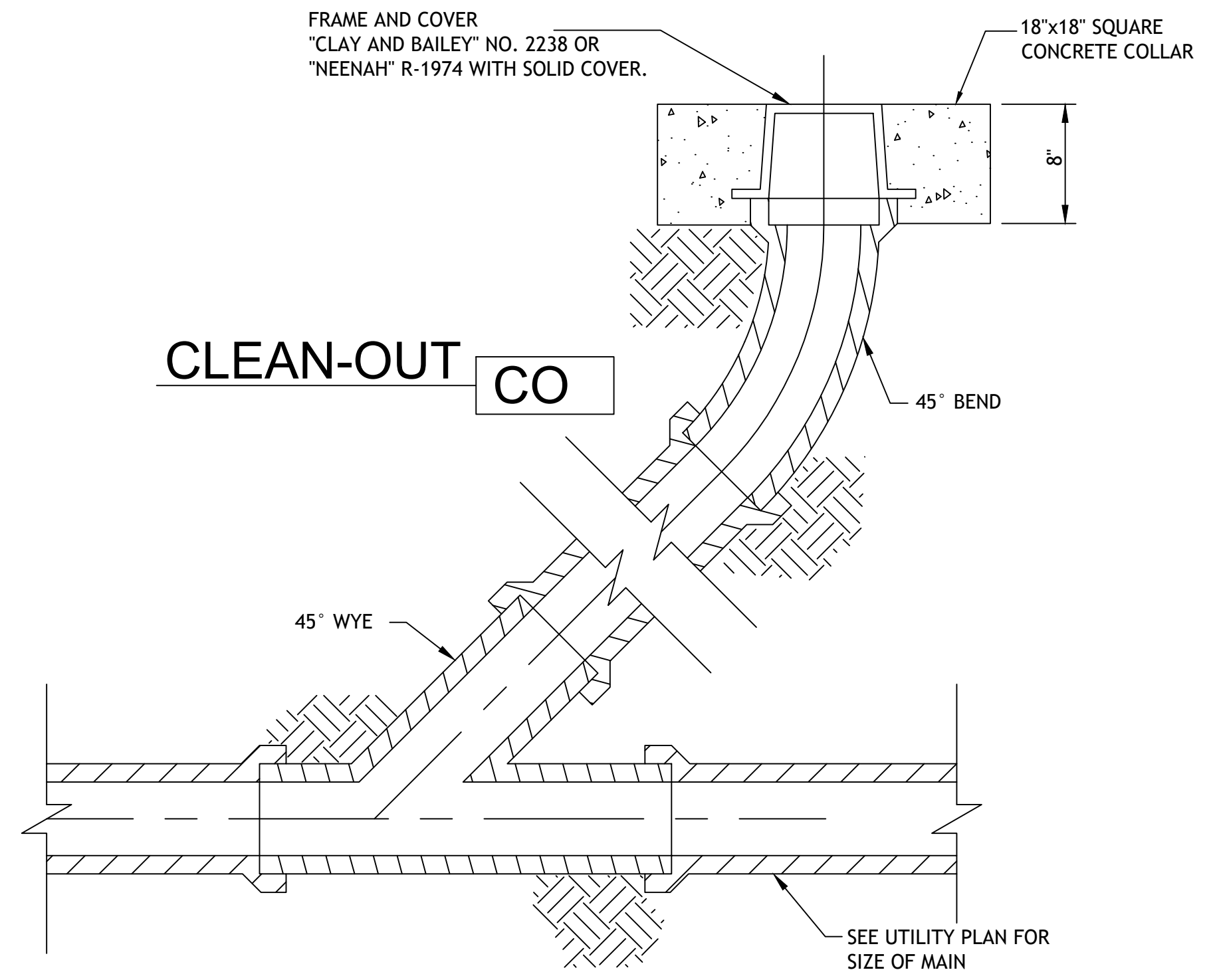
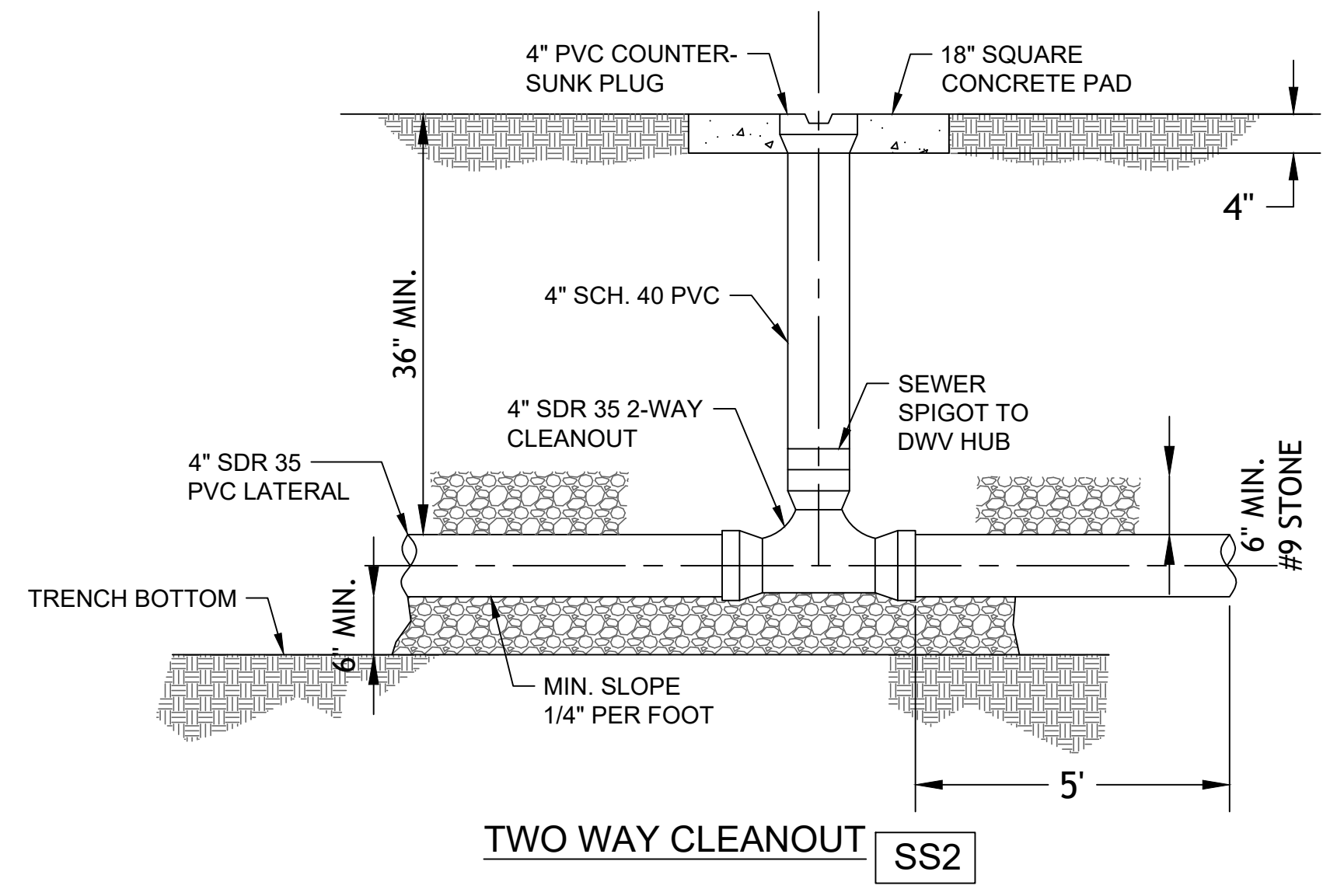
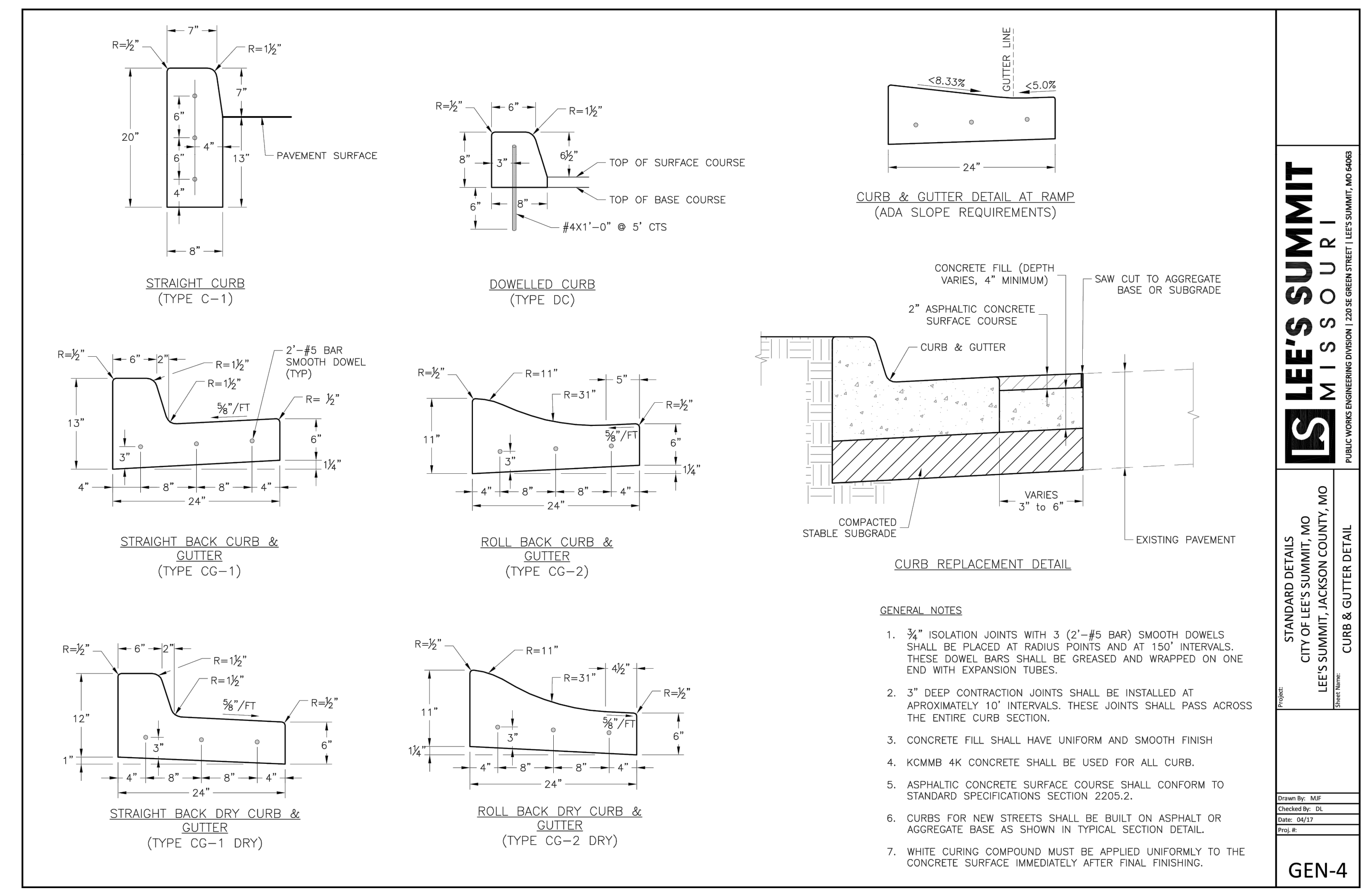
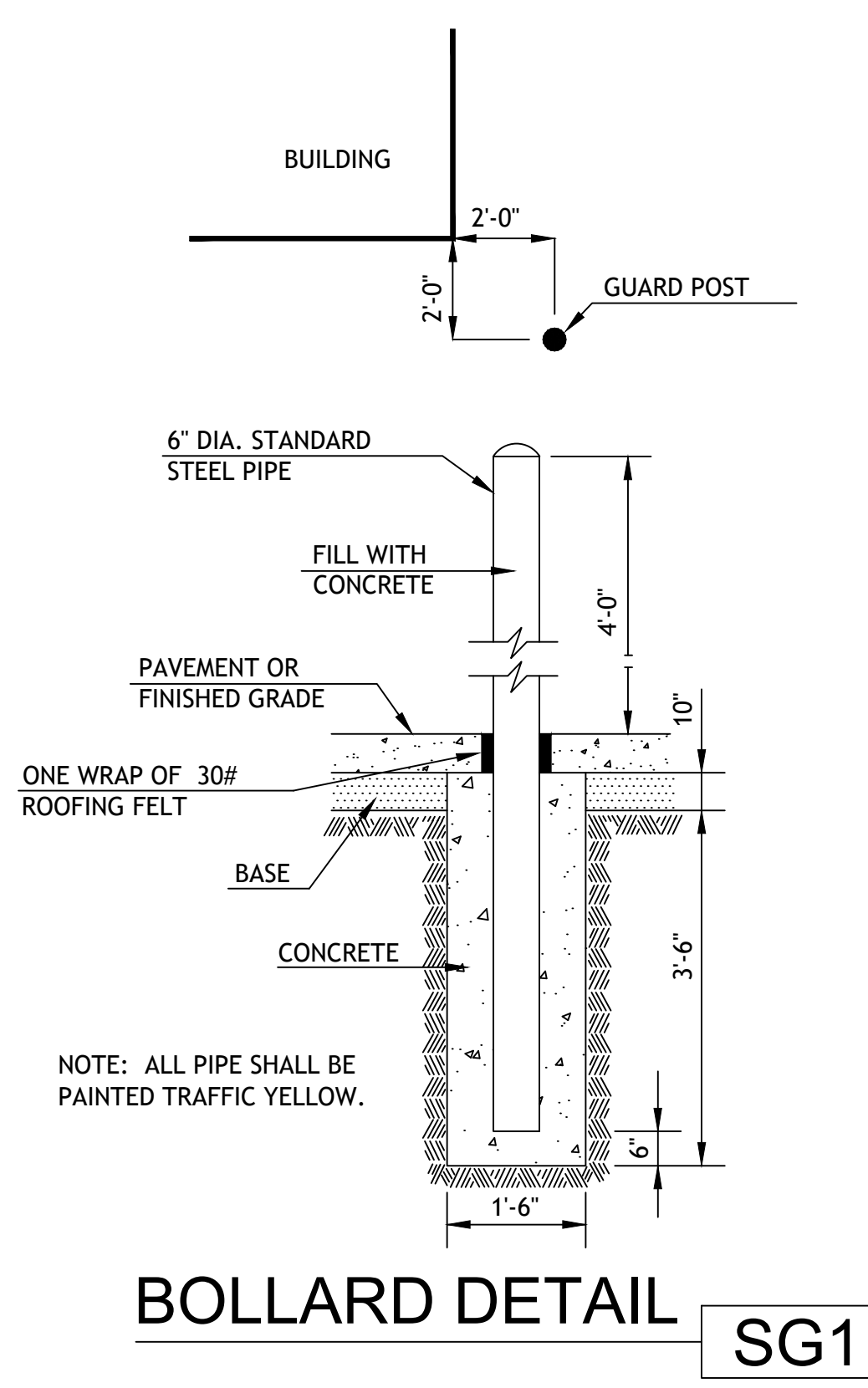


Revisions
7-11-22 CITY COMMENTS

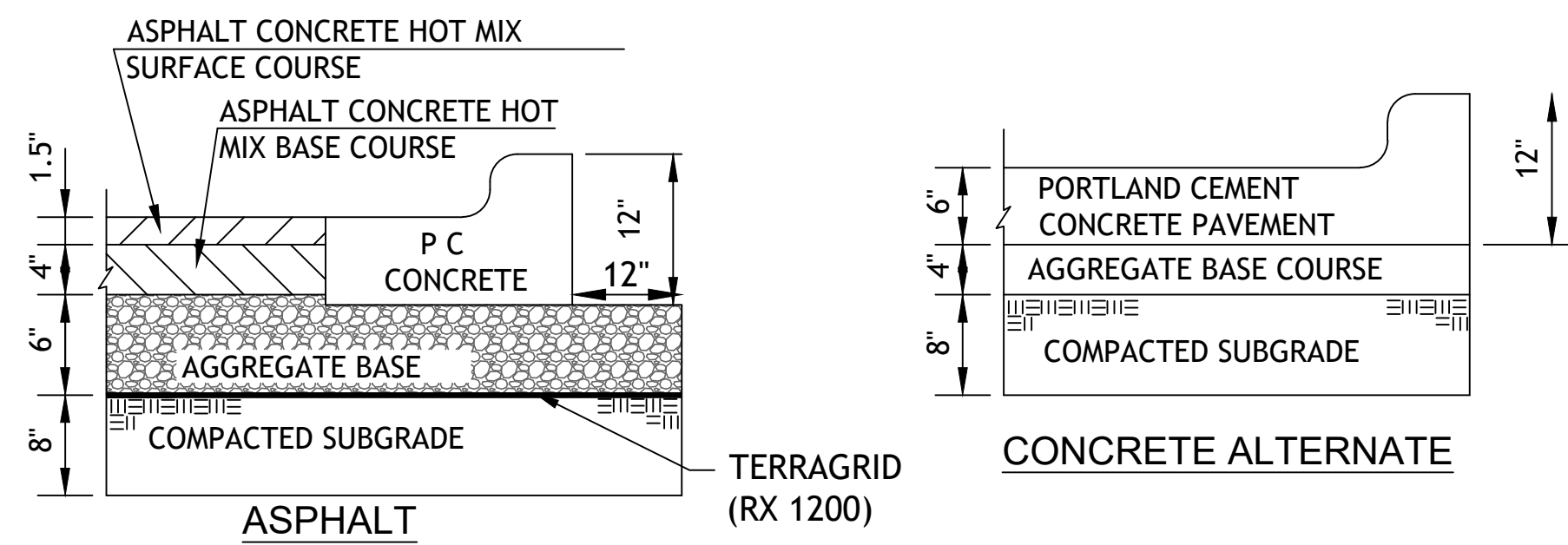
LOT 12 OF WEST PRYOR
LEES SUMMIT, MISSOURI



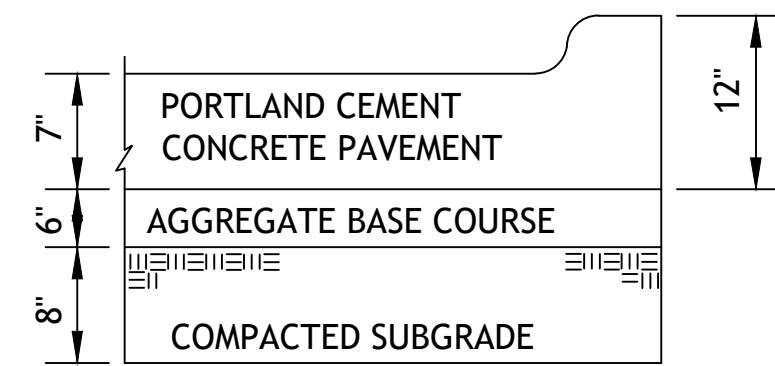
90° ACCESSIBLE & VAN ACCESSIBLE SPACE STRIPING PK1



STANDARD DETAILS
CITY OF LEES SUMMIT, MO
LEES SUMMIT, JACKSON COUNTY, MO
GEN-4



REGULAR DUTY PAVING PV1

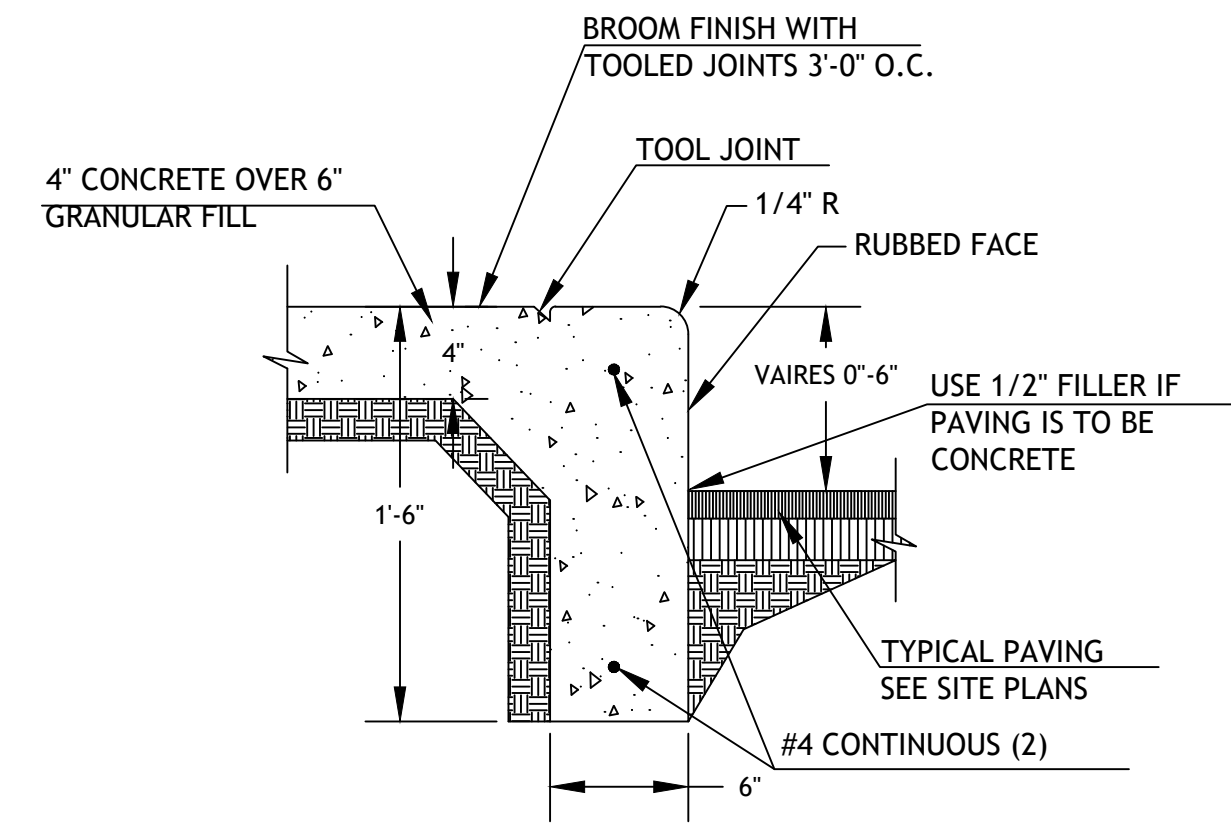


HEAVY DUTY CONCRETE PV3

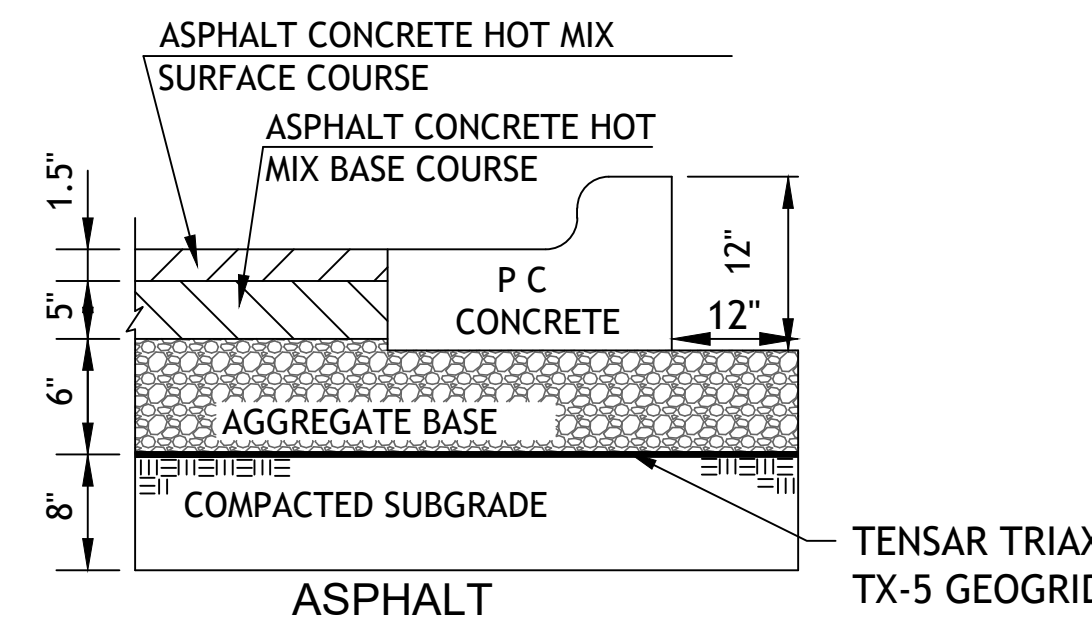
1. FLEXIBLE PAVEMENT SHALL BE IN ACCORDANCE WITH THE LATEST EDITION OF THE MISSOURI DEPARTMENT OF TRANSPORTATION STANDARD SPECIFICATIONS.

ASPHALT SURFACE COURSE - APWA TYPE 3-01
 ASPHALT BASE COURSE - APWA TYPE 2-01
 AGGREGATE BASE MODOT TYPE 5 OR EQUIVALENT

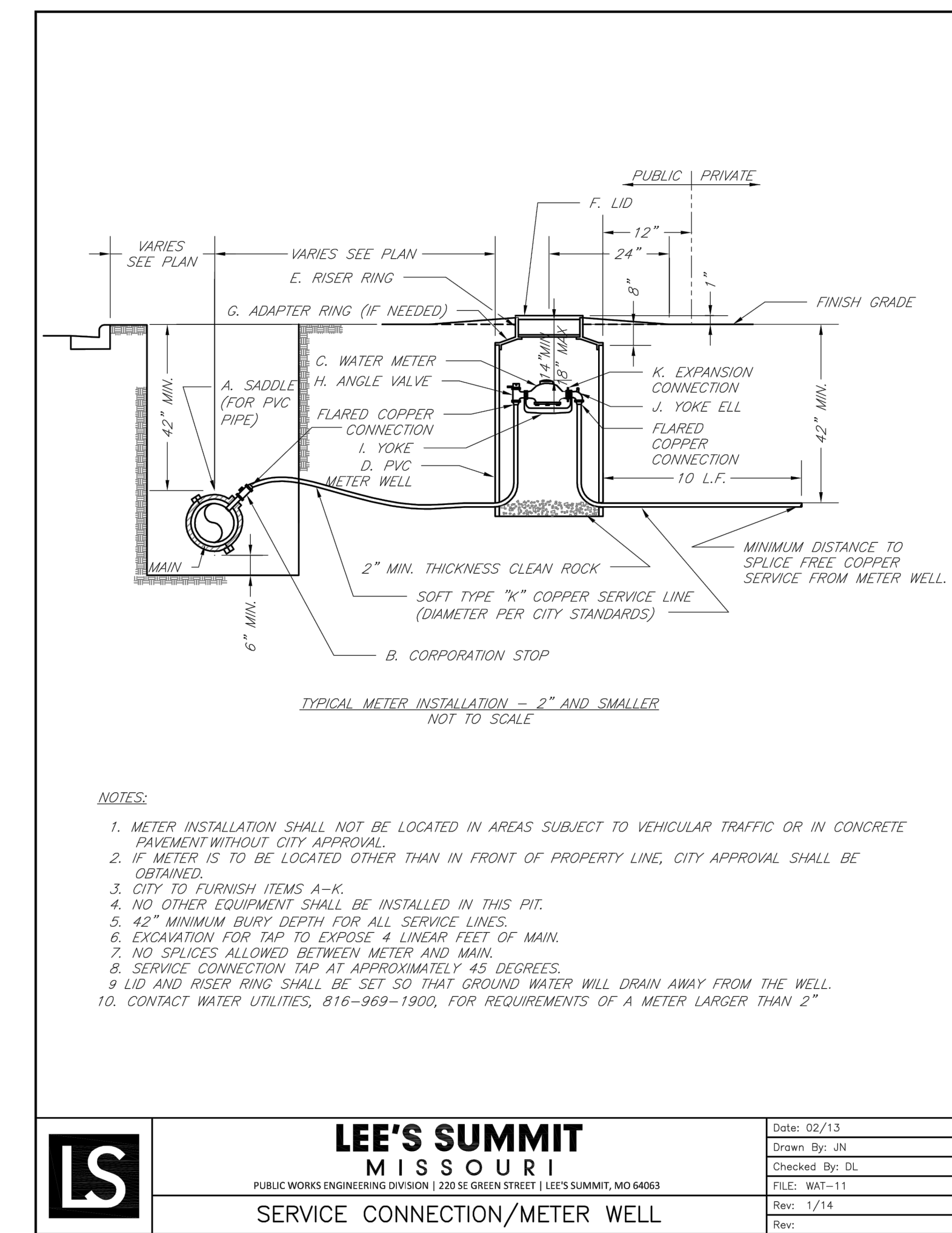
2. PORTLAND CEMENT CONCRETE SHALL HAVE A MINIMUM COMPRESSIVE STRENGTH OF 4000 PSI AT 28 DAYS WITH 6% ENTRAINED AIR ±2% AND SHALL MEET OR EXCEED THE SPECIFICATIONS SET FORTH IN THE LATEST EDITION OF THE MISSOURI DEPARTMENT OF TRANSPORTATION STANDARD SPECIFICATIONS.



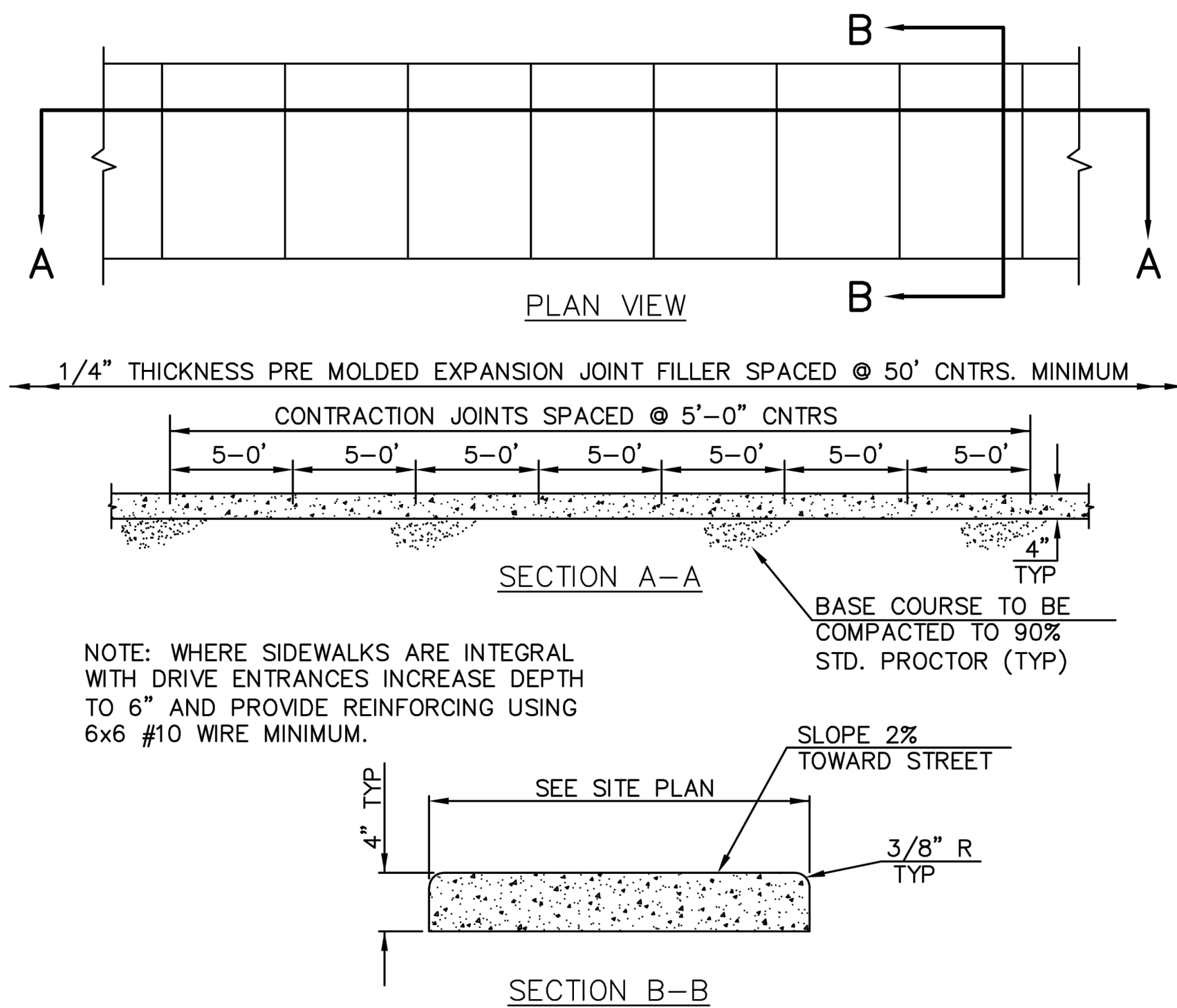
CURB WALK/CURB (AT BUILDING) CW1



HEAVY DUTY ASPHALT PAVING PV2

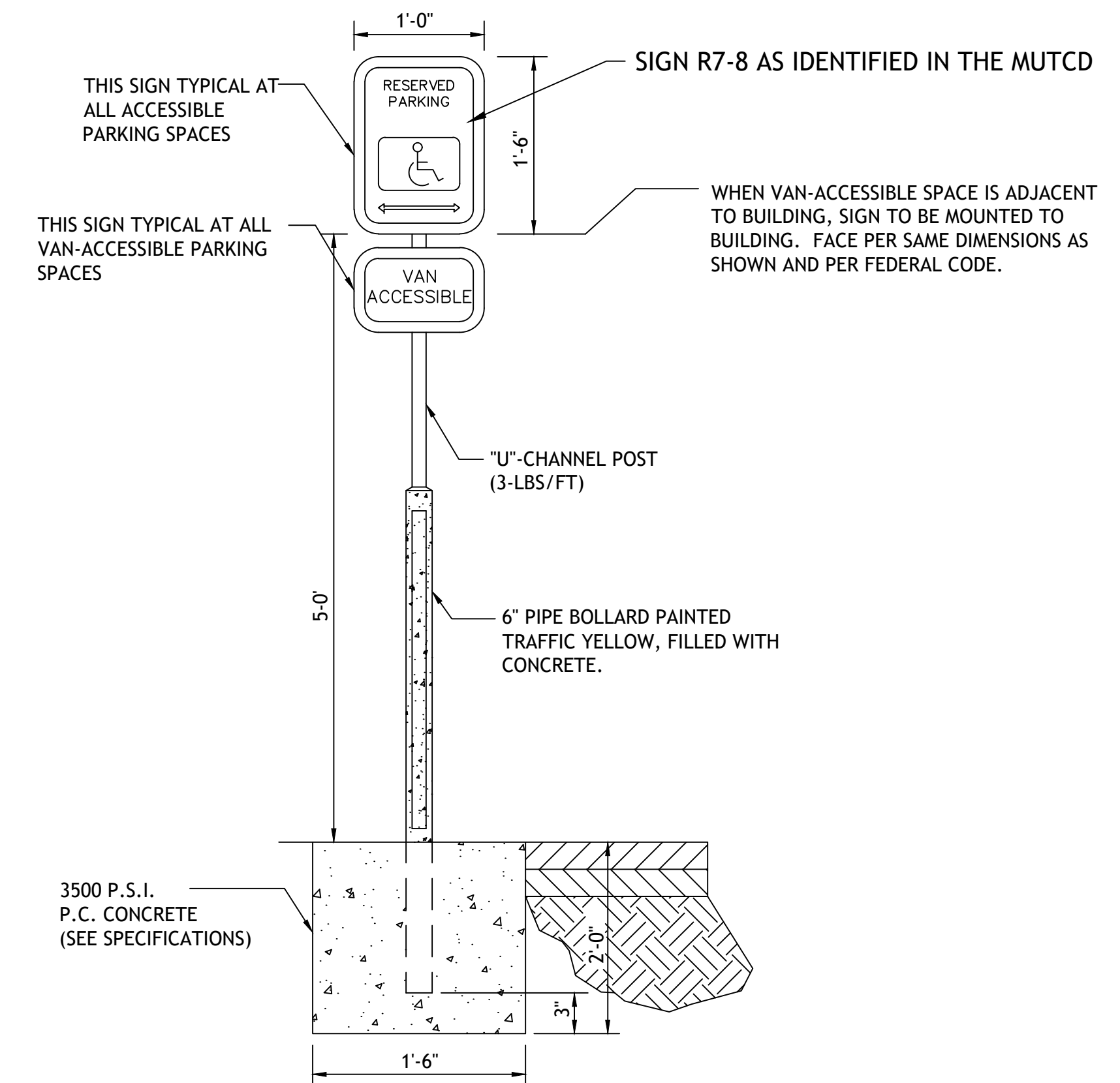


LS	LEE'S SUMMIT	Date: 02/13
	MISSOURI	Drawn By: JN
	PUBLIC WORKS ENGINEERING DIVISION 1240 SE GREEN STREET LEE'S SUMMIT, MO 64063	Checked By: DL
	SERVICE CONNECTION/METER WELL	FILE: WAT-11
		Rev: 1/14



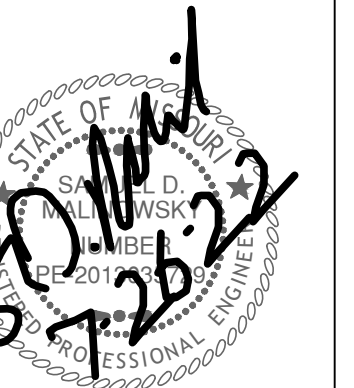
CONCRETE SIDEWALK CW2

NOTE: CONCRETE SHALL BE CLASS A WITH $f'_c = 3000$ PSI.



ACCESSIBLE PARKING SIGN PK2

Drawings and/or Specifications are original proprietary work and property of the Engineer and intended specifically for this project. Use of items contained herein without consent of the Engineer is prohibited. Drawings illustrate best information available to the Engineer. Field verification of actual elements, conditions, and dimensions is required.



Revisions
 7-11-22 CITY COMMENTS

LEE'S SUMMIT, MISSOURI

LANDSCAPE NOTES
 CONTRACTOR REQUIRED TO LOCATE ALL UTILITIES BEFORE INSTALLATION TO BEGIN.

Contractor shall verify all landscape material quantities and shall report any discrepancies to the Landscape Architect prior to installation.

No plant material substitutions are allowed without Landscape Architect or Owners approval.

Contractor shall guarantee all landscape work and plant material for a period of one year from date of acceptance of the work by the Owner. Any plant material which dies during the one year guarantee period shall be replaced by the contractor during normal planting seasons.

Contractor shall be responsible for maintenance of the plants until completion of the job and acceptance by the Owner.

Successful landscape contractor shall be responsible for design that complies with minimum irrigation requirements, and installation of an irrigation system. Irrigation system to be approved by the owner before starting any installation.

All plant material shall be specimen quality stock as determined in the "American Standards For Nursery Stock" published by The American Association of Nurseryman, free of plant diseases and pest, of typical growth of the species and having a healthy, normal root system.

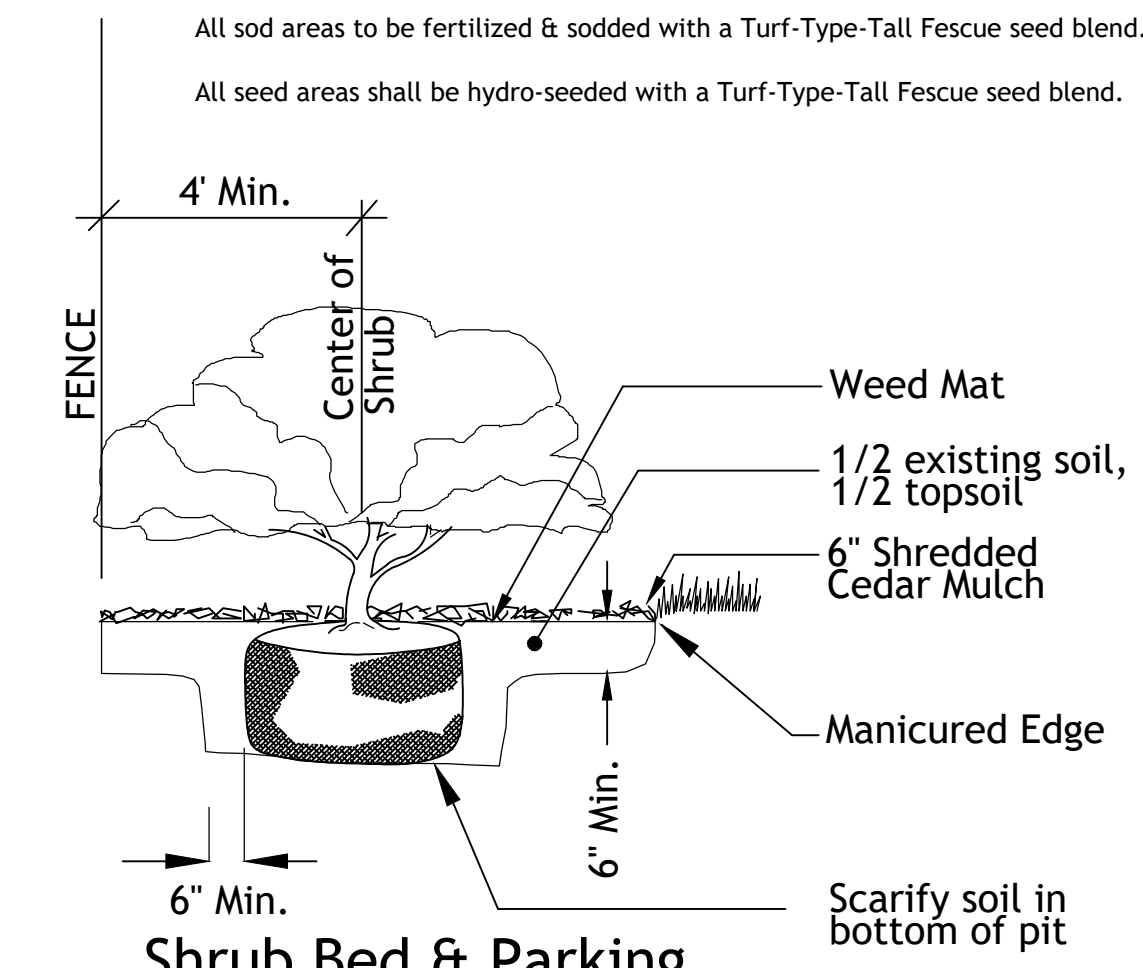
Sizes indicated on the plant list are the minimum, acceptable size. In no case will sizes less than specified be accepted.

All shrub beds within lawn areas to receive a manicured edge.

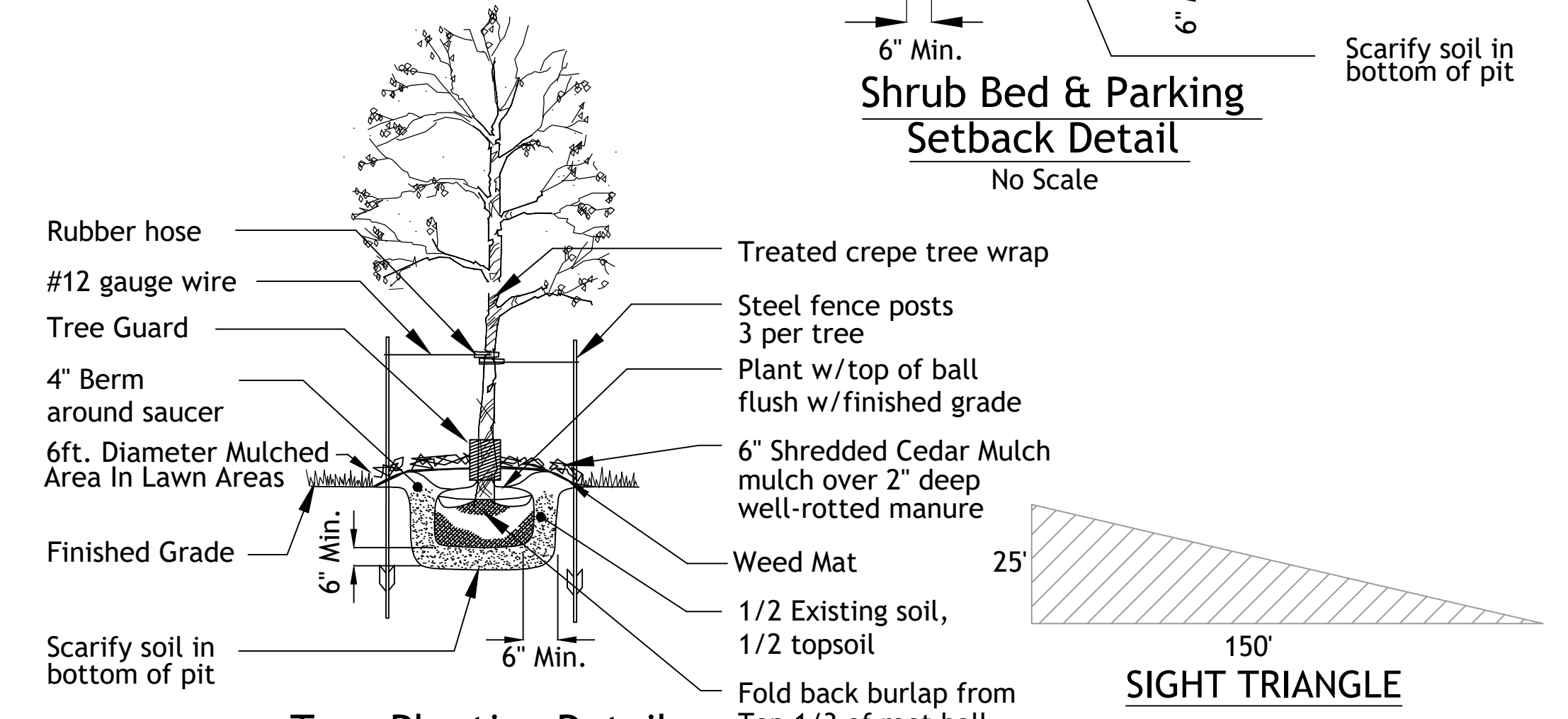
All shrub beds shall be mulched with 3" of shredded cedar mulch.

All sod areas to be fertilized & sodded with a Turf-Type-Tall Fescue seed blend.

All seed areas shall be hydro-seeded with a Turf-Type-Tall Fescue seed blend.



Shrub Bed & Parking Setback Detail
 No Scale



Tree Planting Detail
 No Scale

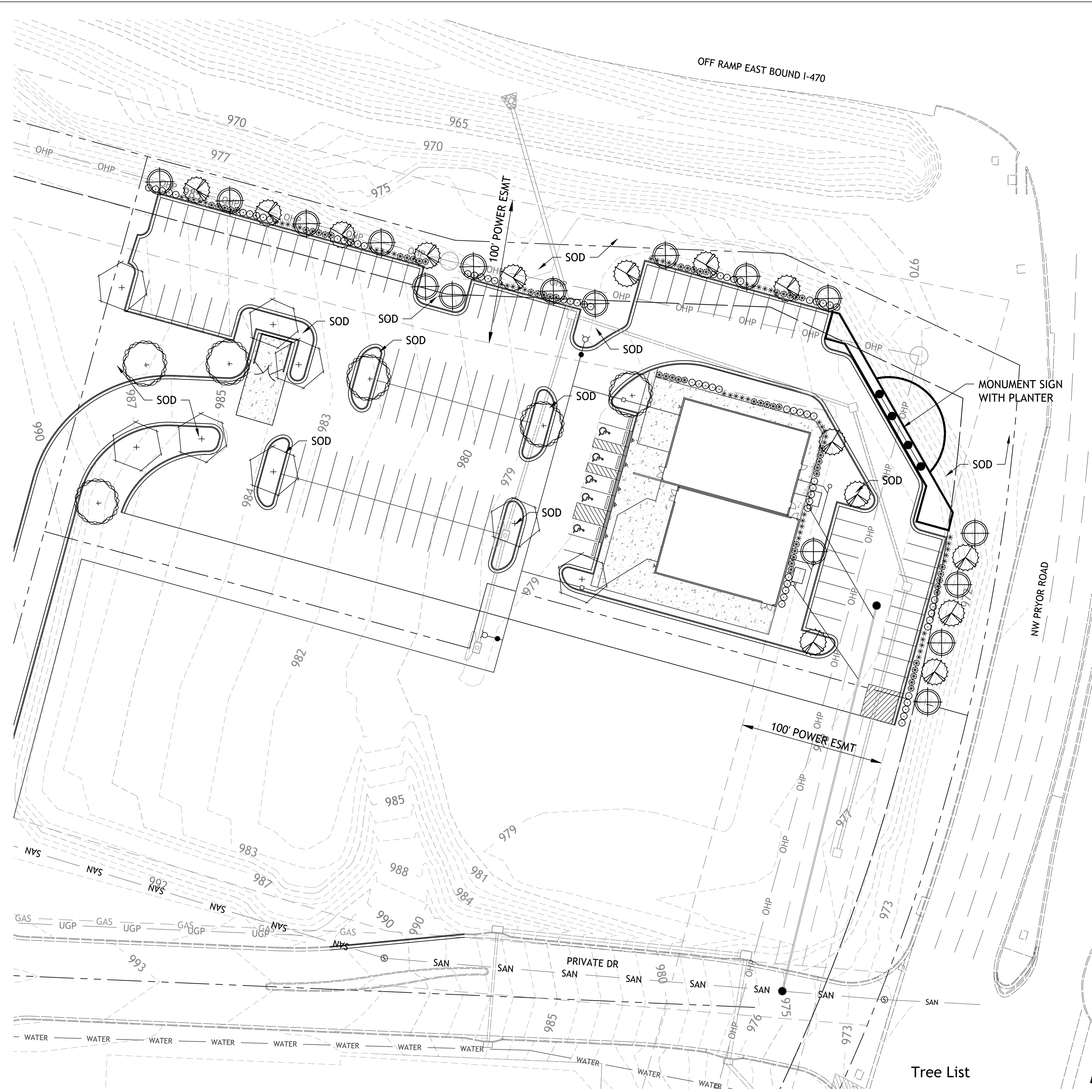
Typical Utility Box Screening Details
 No Scale



UTILITY BOXES SHALL BE CLUSTERED AS MUCH AS POSSIBLE

LOT 9C
PRYOR ROAD 196'

REQUIRED:	
STREET TREES 1/30'	= 7
SHRUBS 1/20'	= 10
PROVIDED:	
ORNAMENTALS	= 7
SHRUBS	= 30
470 OFF RAMP 540'	
REQUIRED:	
STREET TREES 1/30'	= 18
SHRUBS 1/20'	= 27
PROVIDED:	
ORNAMENTALS	= 18
SHRUBS	= 95
INTERIOR PARKING	
TOTAL PARKING SURFACE =	41,873 SF
REQUIRED	
5% LANDSCAPE AREA	= 2,093 SF
PROVIDED	= 3,423 SF
OPEN SPACE TREES	
OPEN SPACE	101,275SF
REQUIRED	
TREES 1 / 5,000SF	= 20
PROVIDED	
SHADE TREES	= 14
ORNAMENTALS	= 6
OPEN SPACE SHRUBS	
REQUIRED	
2 / 5,000SF	= 41
PROVIDED	
	= 55



Shrub List

Symbol	Quantity	Common Name	Botanical Name	Size	Condition	Spacing
⊙	65	Seagreen Juniper	Juniperus Chinensis 'Seagreen'	18"-24"sp.	Cont.	4'o.c.
⊗	60	Dwarf Winged Euonymus	Euonymus Alatus 'Compactus'	18"-24"sp.	Cont.	4'o.c.
*	55	Morning Light Maiden Grass	Miscanthos Sinensis 'Morning Light'	18"-24"sp.	Cont.	4'o.c.

Tree List

Symbol	Quantity	Common Name	Botanical Name	Size	Condition	Spacing
⊕	6	October Glory Maple	Acer Rubrum 'October Glory'	3" cal	BB	As Shown
⊕	13	Skyline Honeylocust	Gleditsia Triacanthos 'Skyline'	3" cal	BB	As Shown
⊕	14	Golden Raintree	Koelreuteria Paniculata	3"cal	BB	As Shown
⊕	17	Prairiefire Crabapple	Malus Sp. 'Prairiefire'	3"cal	BB	As Shown

