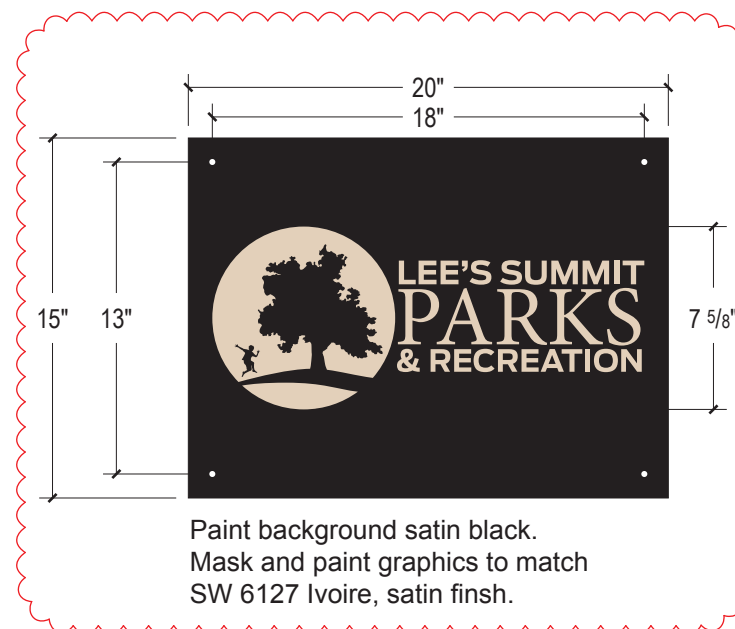
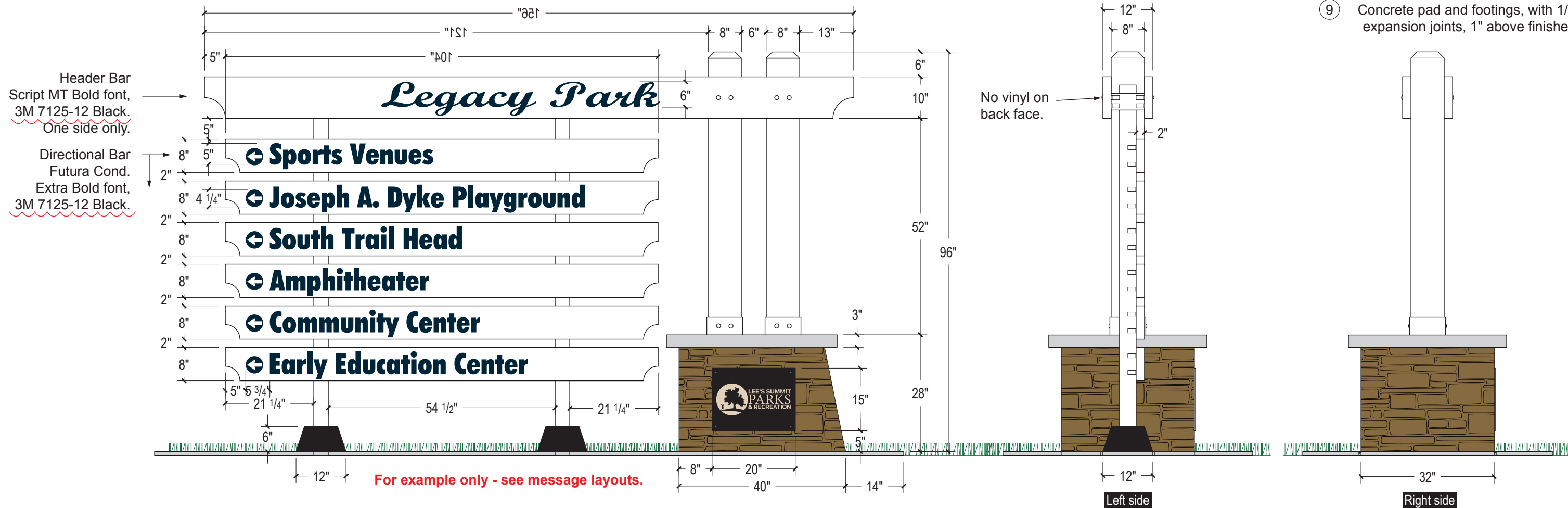


**A** Plan View scale: 1/2" = 1'-0"



Paint background satin black.  
Mask and paint graphics to match  
SW 6127 Ivoire, satin finish.

- Notes
- ① Fabricated aluminum header, painted with vinyl graphics. Header occurs on both sides of posts but vinyl occurs only on front. Sign is single faced.
  - ② Aluminum tube directional panels, painted with vinyl graphics on one side. Only occurs in front view.
  - ③ 8" sq. aluminum tube post, fabricated aluminum cap has bevel profile. Painted.
  - ④ 4" sq. aluminum tube post, flat cap with hole and welded nut at center for lifting eyes. Angled brackets welded at header and panel locations. Painted.
  - ⑤ 1/4" aluminum plate, painted with vinyl graphics. Mounted to masonry base.
  - ⑥ Fabricated aluminum base cover, painted.
  - ⑦ Formed concrete cap.
  - ⑧ Stacked CMU block base with ashlar stone veneer to match other signs on site.
  - ⑨ Concrete pad and footings, with 1/2" expansion joints, 1" above finished grade.



**B** Elevation - Front View scale: 1/2" = 1'-0"

**C** Elevations - End Views scale: 1/2" = 1'-0"

REVISIONS:

1	1/18/2022	update colors, add text height dimensions
2	2/1/2022	flip column to right side



**A** Messages - Sign 1A scale: 1/2" = 1'-0"  
Blackwell Road - North Bound

**B** Messages - Sign 1B scale: 1/2" = 1'-0"  
Blackwell Road - South Bound



STAR SIGNS, LLC  
801 EAST NINTH STREET  
LAWRENCE, KANSAS 66044  
P 785.842.4892 F 785.842.2947  
WWW.STARSIGNSLLC.COM

Legacy Park Wayfinding  
Lee's Summit, MO

Message Layouts

THIS DRAWING IS THE SOLE PROPERTY OF STAR SIGNS, L.L.C., AND IS INTENDED FOR CUSTOMER APPROVAL ONLY.

REVISIONS:

1	12/10/2021	Flip 1B orientation
2	1/18/2022	update colors
3	2/1/2022	flip column to right side

4	2/9/2022	message updates
---	----------	-----------------

APPROVED

APPROVED AS NOTED

REVISE AND RESUBMIT

DATE

SIGNATURE

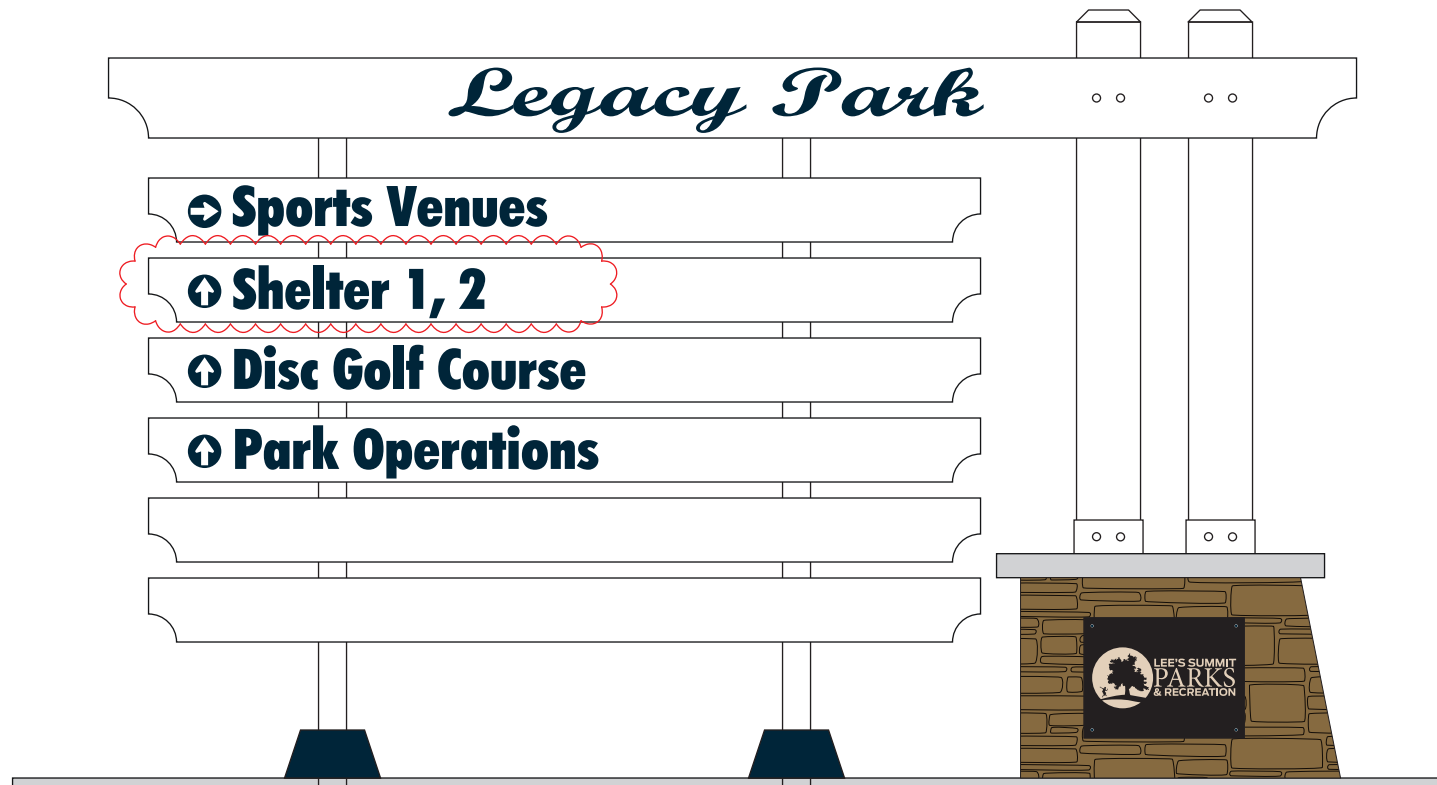
SP: SR PM: MN Dwg: JH

10339 6435  
Art # SO #

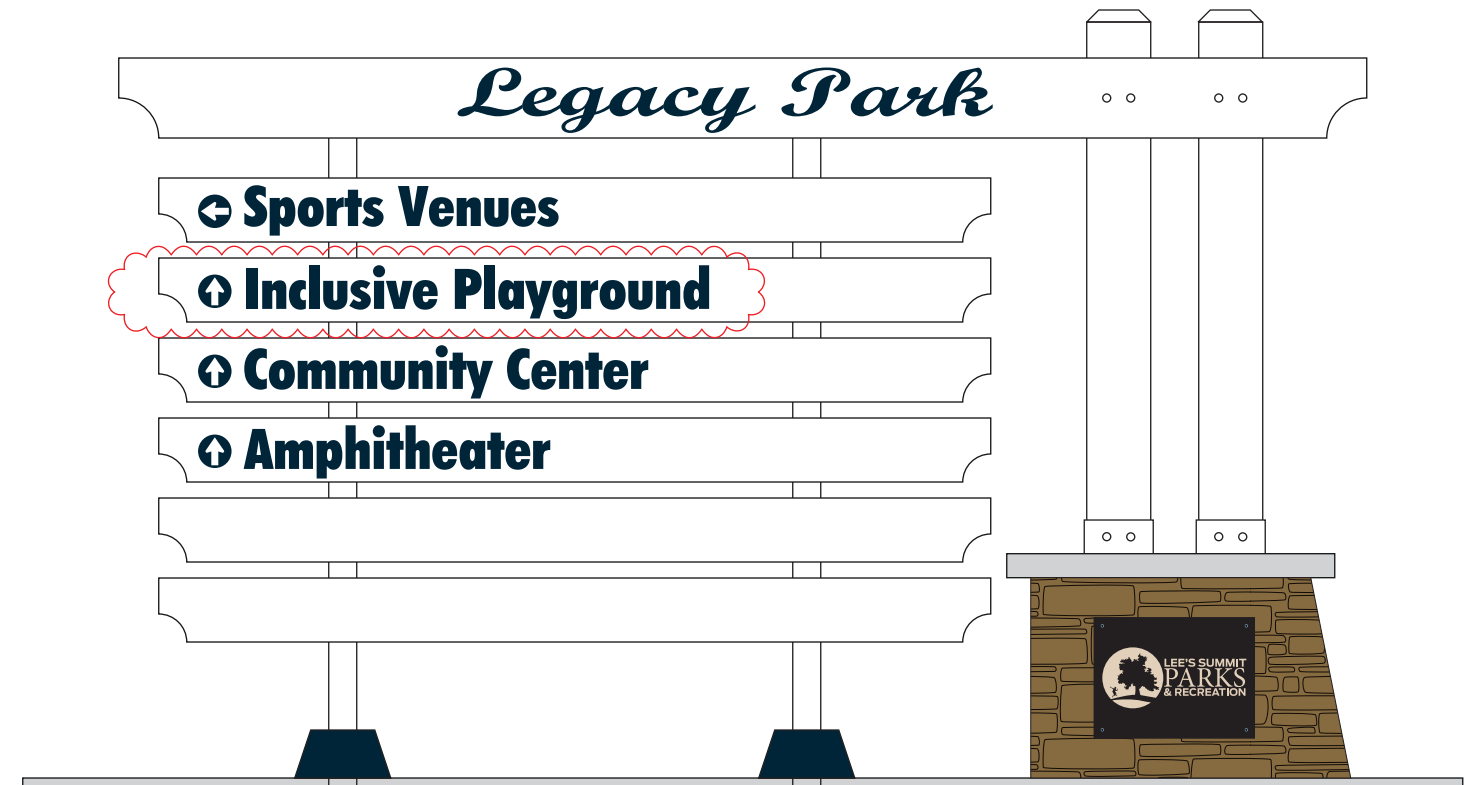
PRINTED: 2 / 9 / 2022

FIRST PRINT: 11/8/2021

1.a  
SHEET



**A** Messages - Sign 2A scale: 1/2" = 1'-0"  
Blackwell Road - North Bound



**B** Messages - Sign 2B scale: 1/2" = 1'-0"  
Blackwell Road - South Bound



STAR SIGNS, LLC  
801 EAST NINTH STREET  
LAWRENCE, KANSAS 66044  
P 785.842.4892 F 785.842.2947  
WWW.STARSIGNSLLC.COM

Legacy Park Wayfinding  
Lee's Summit, MO

Wayfinding, Single Face, Non-Illuminated  
Qty (6) Locations

THIS DRAWING IS THE SOLE PROPERTY OF STAR SIGNS, L.L.C., AND IS INTENDED FOR CUSTOMER APPROVAL ONLY.

REVISIONS:

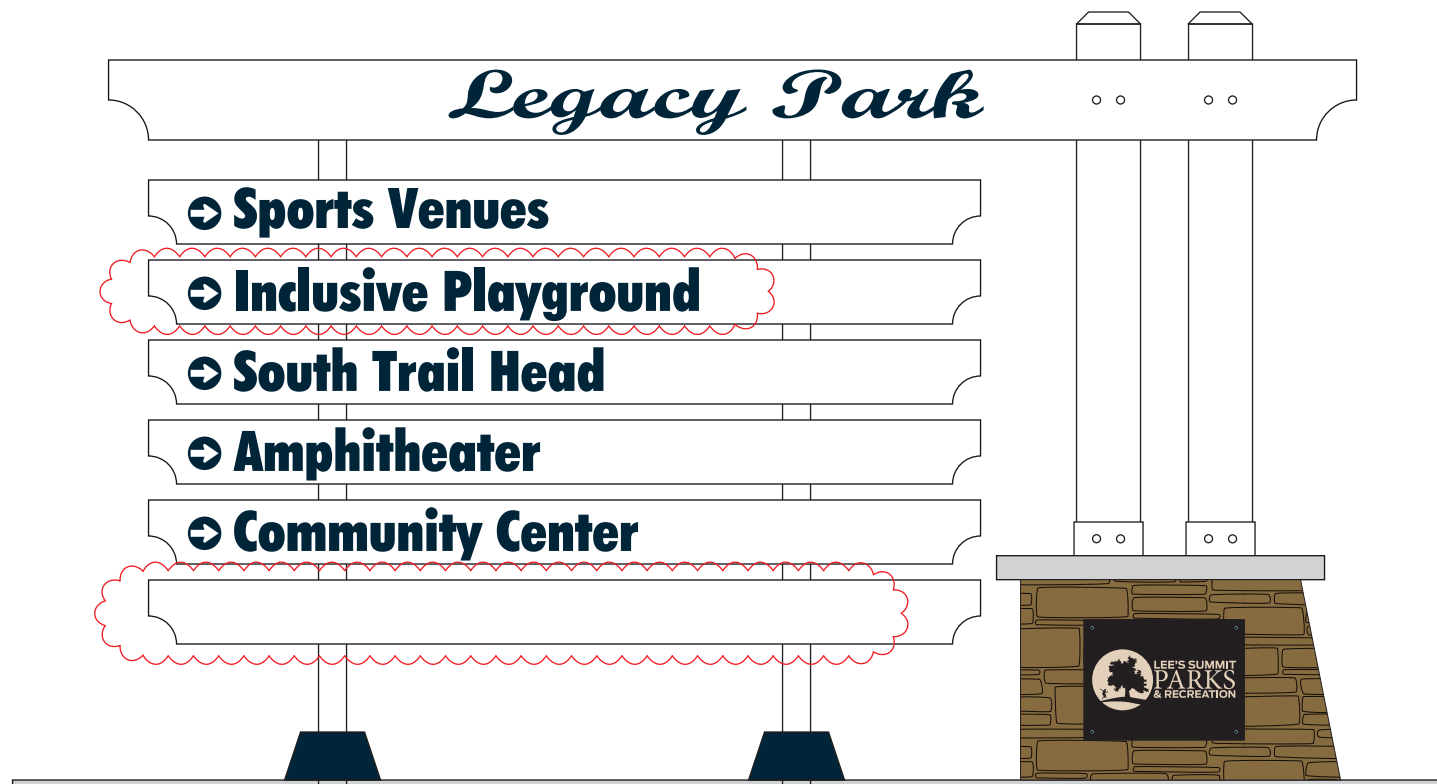
1	12/10/2021	Flip 2B orientation
2	1/18/2022	update colors
3	2/1/2022	flip column to right side

4	2/9/2022	message updates

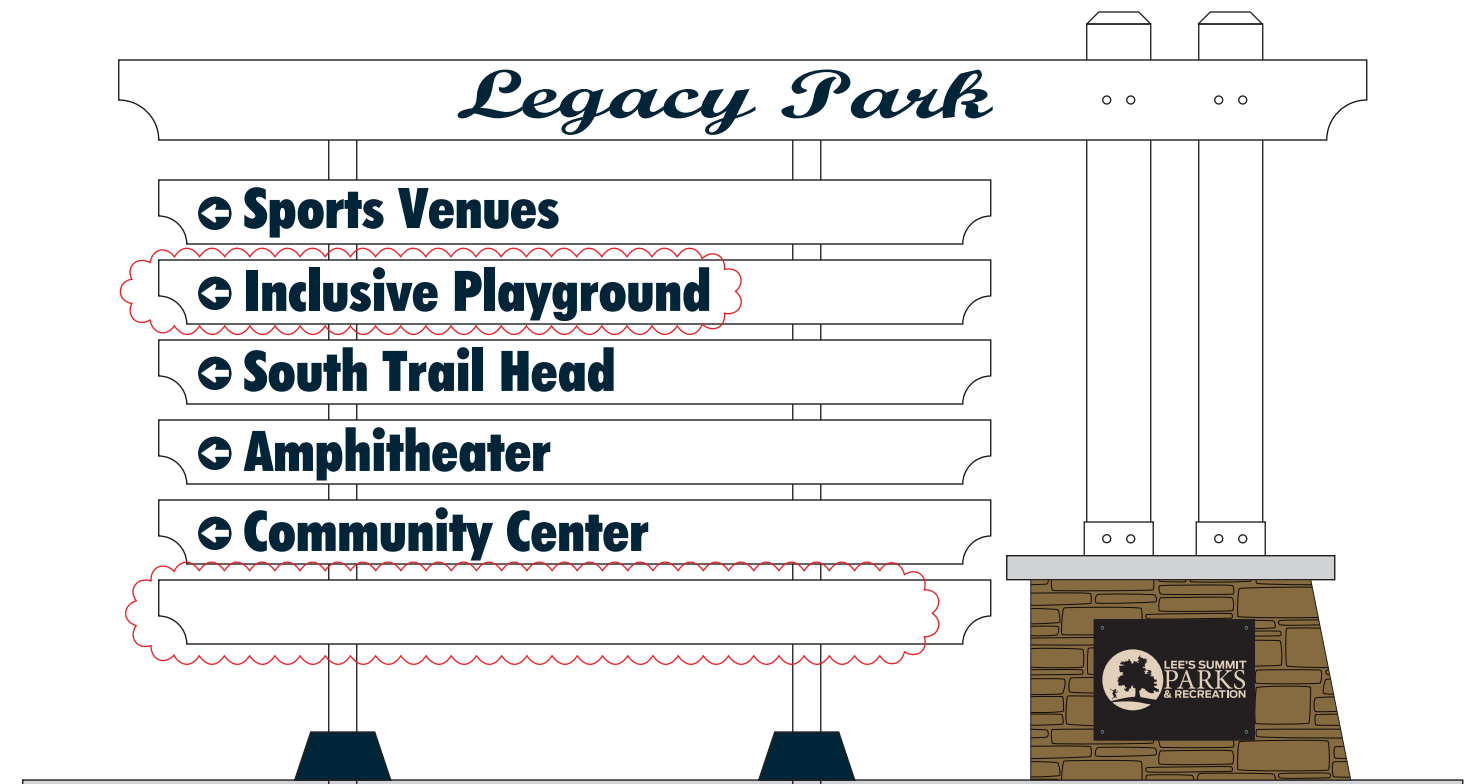
APPROVED   
  APPROVED AS NOTED   
  REVISE AND RESUBMIT  
 \_\_\_\_\_  
 DATE    SIGNATURE

SP: SR    PM: MN    Dwg: JH  
**10339**    **6435**  
Art #                          SO #

PRINTED: 2 / 9 / 2022  
FIRST PRINT: 11/8/2021  
**1.b**  
SHEET



**A** Messages - Sign 3A scale: 1/2" = 1'-0"  
Blackwell Road - North Bound



**B** Messages - Sign 3B scale: 1/2" = 1'-0"  
Blackwell Road - South Bound



STAR SIGNS, LLC  
801 EAST NINTH STREET  
LAWRENCE, KANSAS 66044  
P 785.842.4892 F 785.842.2947  
WWW.STARSIGNSLLC.COM

Legacy Park Wayfinding  
Lee's Summit, MO

Wayfinding, Single Face, Non-Illuminated  
Qty (6) Locations

THIS DRAWING IS THE SOLE PROPERTY OF STAR SIGNS, L.L.C., AND IS INTENDED FOR CUSTOMER APPROVAL ONLY.

REVISIONS:

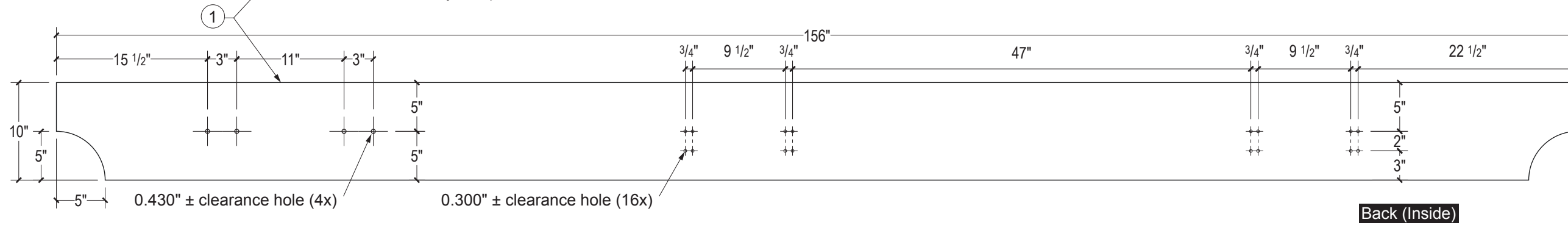
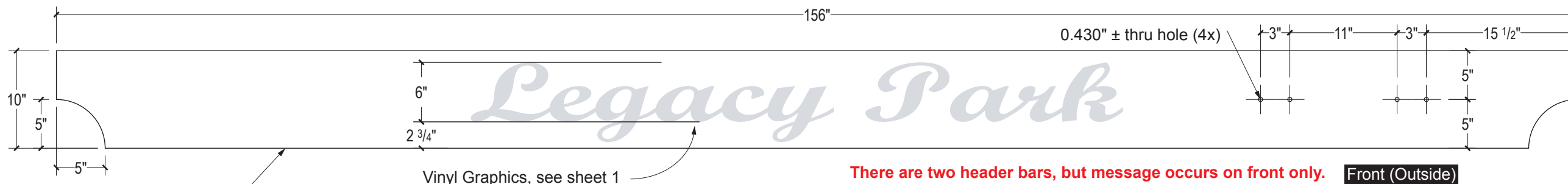
1	12/10/2021	Flip 3B orientation
2	1/18/2022	update colors
3	2/1/2022	flip column to right side

4	2/9/2022	message updates

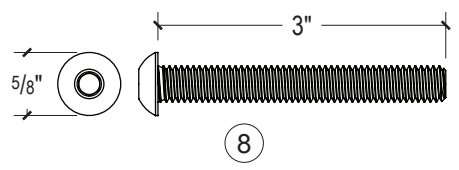
APPROVED    
  APPROVED AS NOTED    
  REVISE AND RESUBMIT  
 \_\_\_\_\_  
 DATE    SIGNATURE

SP: SR    PM: MN    Dwg: JH  
**10339 6435**  
Art #                          SO #

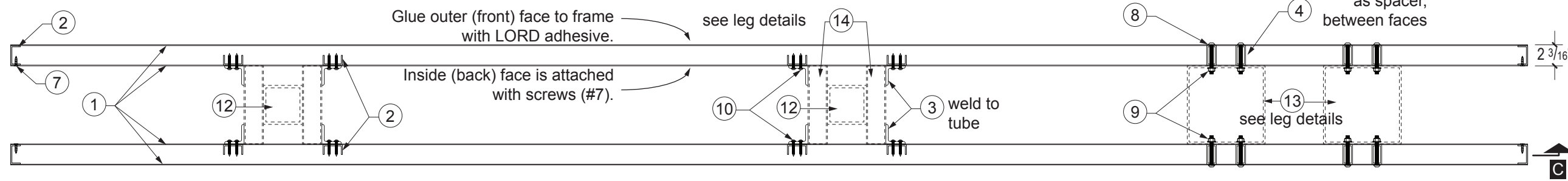
PRINTED: 2 / 9 / 2022  
FIRST PRINT: 11/8/2021  
**1.c**  
SHEET



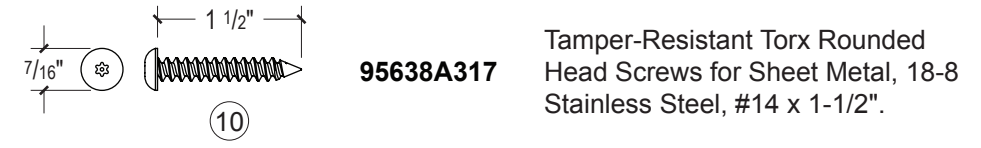
**A Header Faces** scale: 1" = 1'-0"



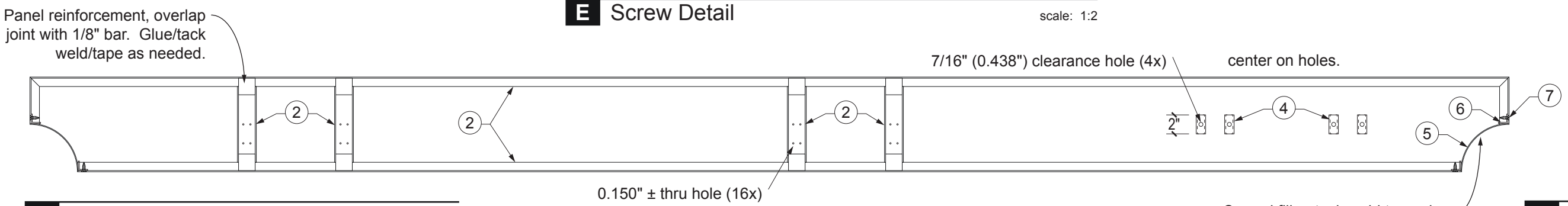
**D Bolt & Nut Detail**



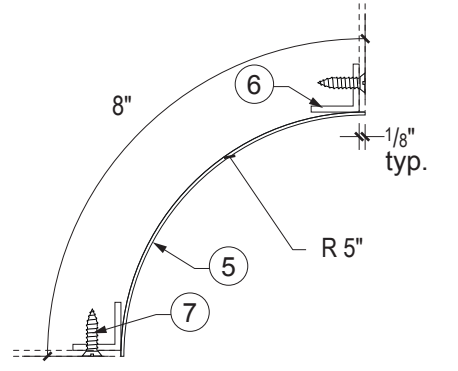
**B Plan View - Assembly** scale: 1" = 1'-0"



**E Screw Detail** scale: 1:2

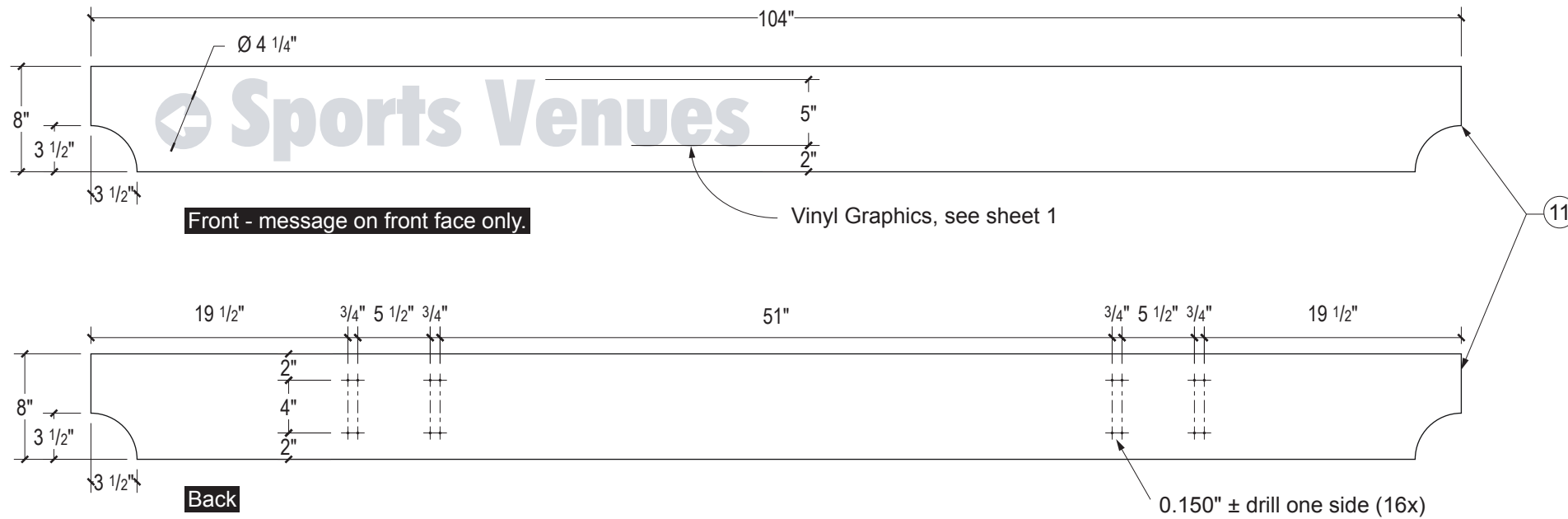


**C Front View - Interior** scale: 1" = 1'-0"



**F End Filler Detail** scale: 3" = 1'-0"

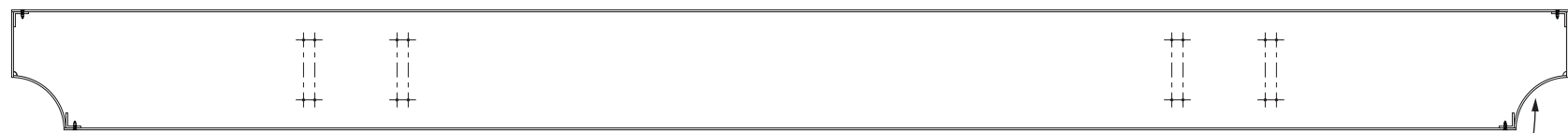
- Notes
- 1 .080" aluminum sheet.
  - 2 2x1x1/8" aluminum channel.
  - 3 2x2x1/4" x 1" long aluminum structural angle.
  - 4 2x2x1/8" aluminum rect. tube.
  - 5 .063" aluminum sheet.
  - 6 1x1x1/8" aluminum angle.
  - 7 #8 x 3/4" 18-8 s.s. sheet metal screw.
  - 8 3/8"-16 x 3" 18-8 s.s. button head hex drive screw. McM 92949A636.
  - 9 3/8"-16 18-8 s.s. nylon insert flange locknut. McM 94238A103.
  - 10 #14 x 1 1/2" 18-8 s.s. Pin-in-Torx round head sheet metal screw. McM 95638A317.
  - 11 2" x 8" x 1/8" rectangular aluminum tube. Radiused notches at bottom corners.
  - 12 4x4x1/4" sq. aluminum tube.
  - 13 8x8x3/16" sq. aluminum tube.
  - 14 2x4x1/8" rect. aluminum tube.
  - 15 1/4" aluminum plate.
  - 16 3/8"-16 18-8 s.s. button head Pin-in-Torx machine screw.
  - 17 3/8"-16 nutsert or similar.
- Paint all visible surfaces and hardware satin white.



**A Directional Faces** scale: 1" = 1'-0"



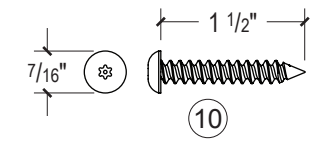
**B Plan View - Assembly** scale: 1" = 1'-0"



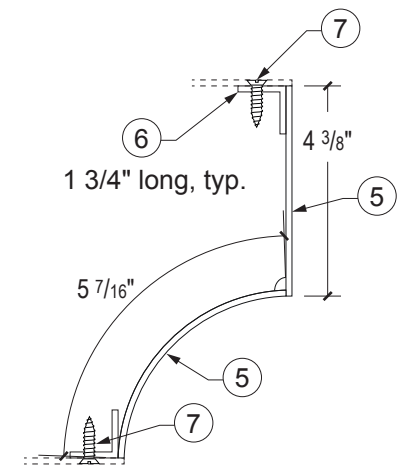
**C Front View - Interior** scale: 1" = 1'-0"

Curved filler, tack weld to angles.  
Angles screw into frame.

Tamper-Resistant Torx Rounded Head Screws for Sheet Metal, 18-8 Stainless Steel, #14 x 1-1/2".  
**95638A317**



**D Screw Detail** scale: 1:2



**D End Filler Detail** scale: 3" = 1'-0"

Notes

- ① .080" aluminum sheet.
- ② 2x1x1/8" aluminum channel.
- ③ 2x2x1/4" x 1" long aluminum structural angle.
- ④ 2x2x1/8" aluminum rect. tube.
- ⑤ .063" aluminum sheet.
- ⑥ 1x1x1/8" aluminum angle.
- ⑦ #8 x 3/4" 18-8 s.s. sheet metal screw.
- ⑧ 3/8"-16 x 3" 18-8 s.s. button head hex drive screw. McM 92949A636.
- ⑨ 3/8"-16 18-8 s.s. nylon insert flange locknut. McM 94238A103.
- ⑩ #14 x 1 1/2" 18-8 s.s. Pin-in-Torx round head sheet metal screw. McM 95638A317.
- ⑪ 2" x 8" x 1/8" rectangular aluminum tube. Radiused notches at bottom corners.
- ⑫ 4x4x1/4" sq. aluminum tube.
- ⑬ 8x8x3/16" sq. aluminum tube.
- ⑭ 2x4x1/8" rect. aluminum tube.
- ⑮ 1/4" aluminum plate.
- ⑯ 3/8"-16 18-8 s.s. button head Pin-in-Torx machine screw.
- ⑰ 3/8"-16 nutsert or similar.

Paint all visible surfaces and hardware satin white.

REVISIONS:

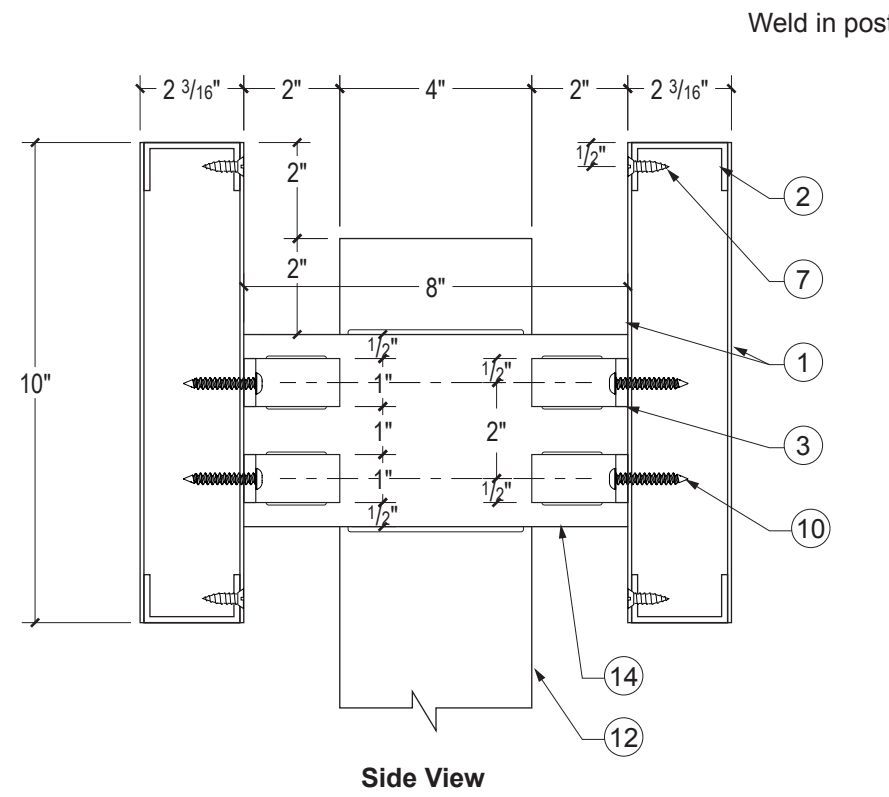

APPROVED  APPROVED AS NOTED  REVISE AND RESUBMIT

DATE \_\_\_\_\_ SIGNATURE \_\_\_\_\_

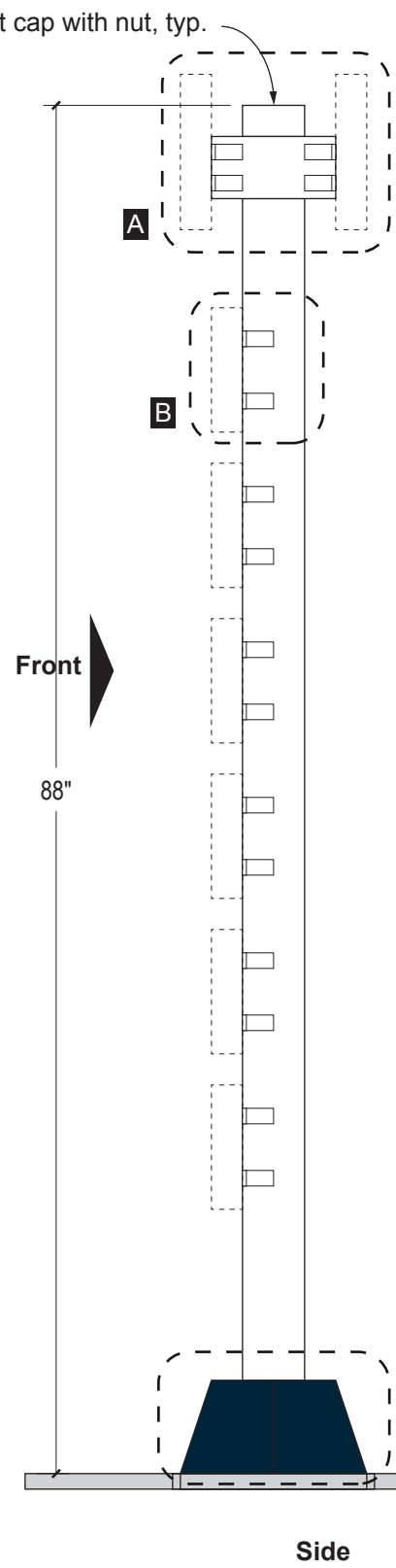
Notes

- ① .080" aluminum sheet.
- ② 2x1x1/8" aluminum channel.
- ③ 2x2x1/4" x 1" long aluminum structural angle.
- ④ 2x2x1/8" aluminum rect. tube.
- ⑤ .063" aluminum sheet.
- ⑥ 1x1x1/8" aluminum angle.
- ⑦ #8 x 3/4" 18-8 s.s. sheet metal screw.
- ⑧ 3/8"-16 x 3" 18-8 s.s. button head hex drive screw. McM 92949A636.
- ⑨ 3/8"-16 18-8 s.s. nylon insert flange locknut. McM 94238A103.
- ⑩ #14 x 1 1/2" 18-8 s.s. Pin-in-Torx round head sheet metal screw. McM 95638A317.
- ⑪ 2" x 8" x 1/8" rectangular aluminum tube. Radiused notches at bottom corners.
- ⑫ 4x4x1/4" sq. aluminum tube.
- ⑬ 8x8x3/16" sq. aluminum tube.
- ⑭ 2x4x1/8" rect. aluminum tube.
- ⑮ 1/4" aluminum plate.
- ⑯ 3/8"-16 18-8 s.s. button head Pin-in-Torx machine screw.
- ⑰ 3/8"-16 nutsert or similar.

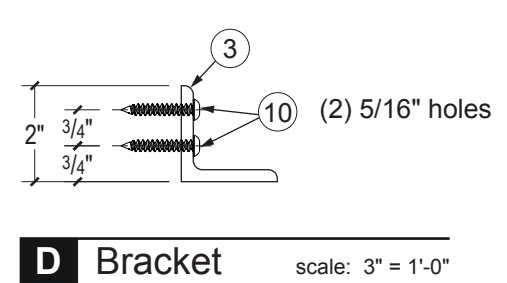
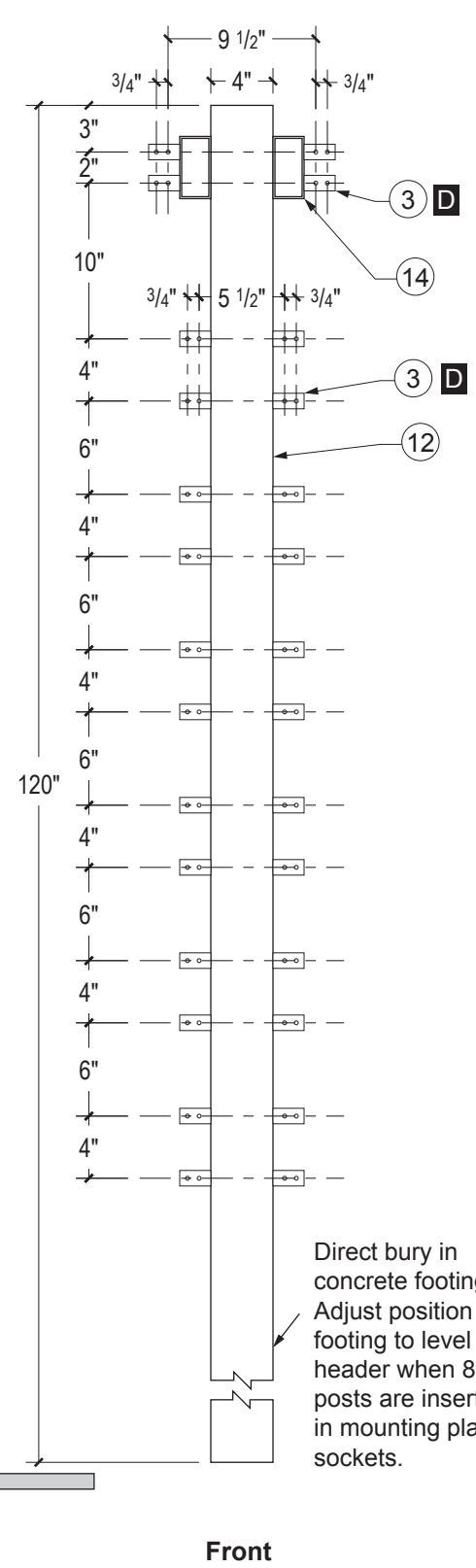
Paint all visible surfaces and hardware satin white.



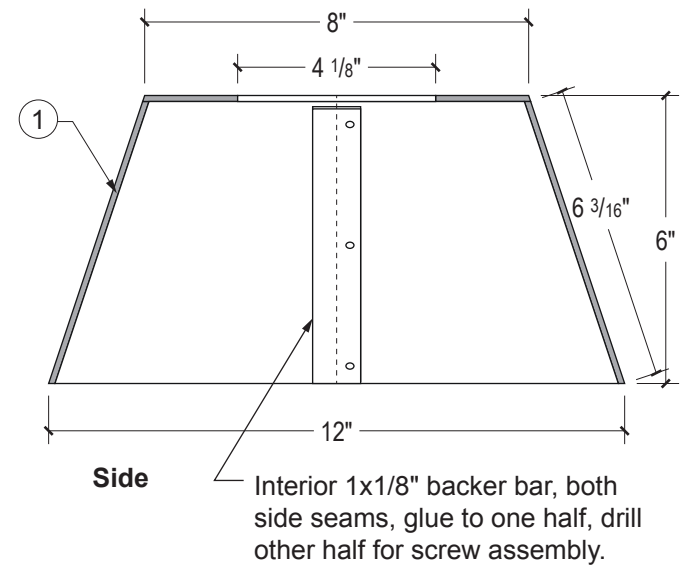
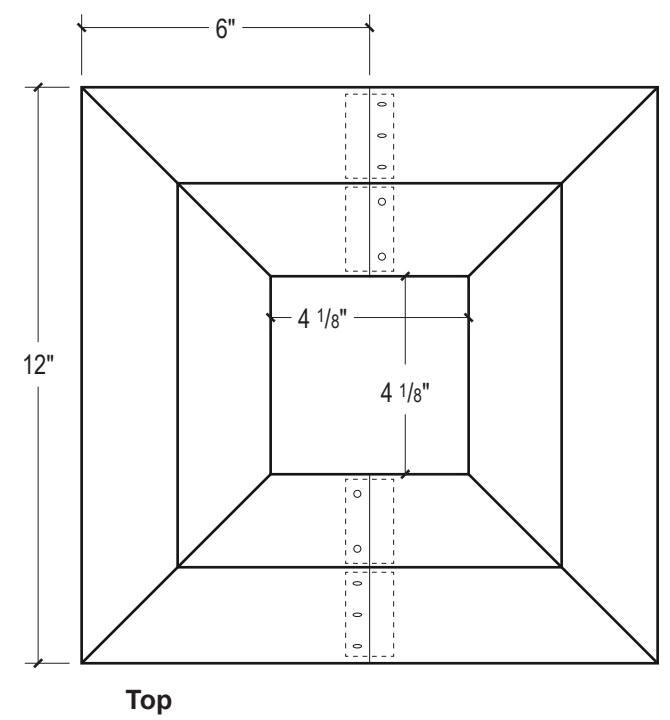
**A** Section - Header Bars at 4" Post scale: 3" = 1'-0"



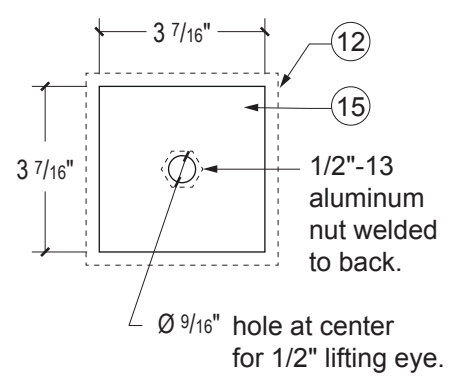
**C** 4" Sq. Post scale: 1" = 1'-0"



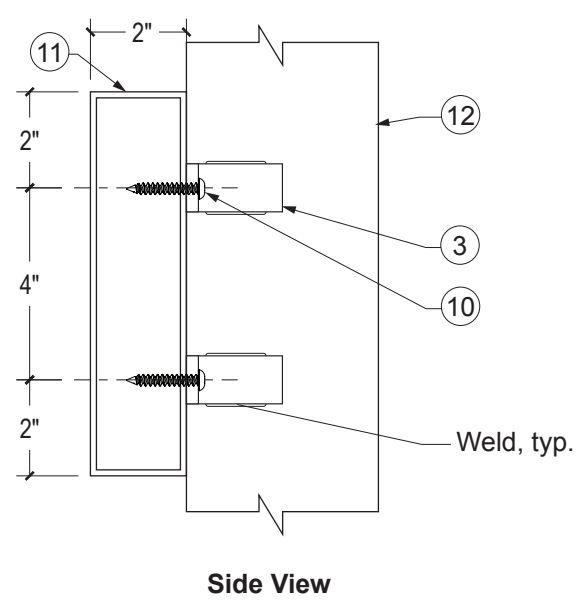
**D** Bracket scale: 3" = 1'-0"



**E** Base Cover scale: 3" = 1'-0"



**F** Post Cap scale: 3" = 1'-0"



**B** Section at Directional Bars scale: 3" = 1'-0"

REVISIONS:

NO.	DESCRIPTION	DATE

APPROVED  APPROVED AS NOTED  REVISE AND RESUBMIT

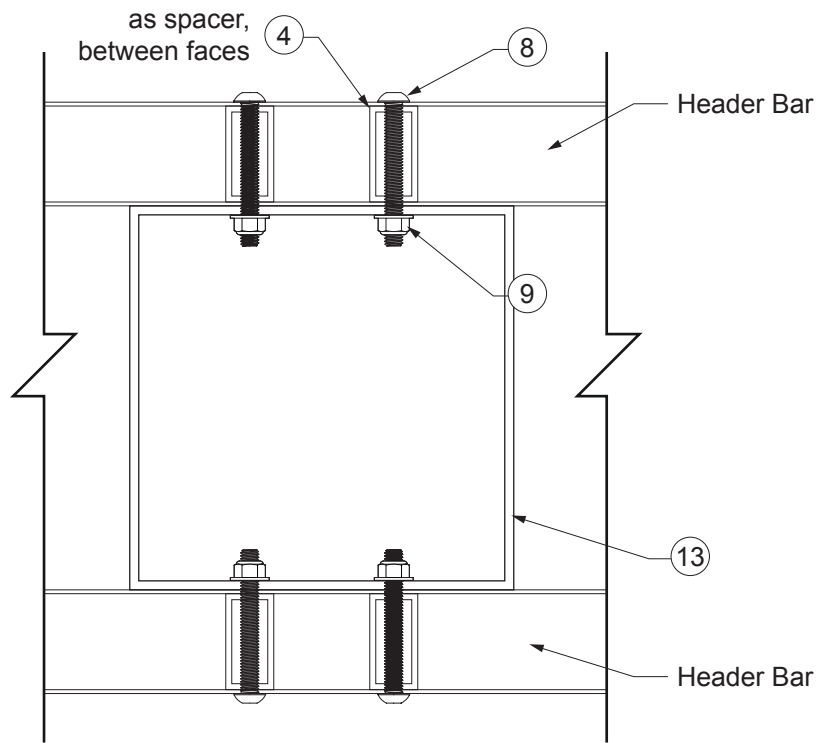
DATE \_\_\_\_\_ SIGNATURE \_\_\_\_\_

SP: SR PM: MN Dwg: JH PRINTED: 2 / 9 / 2022

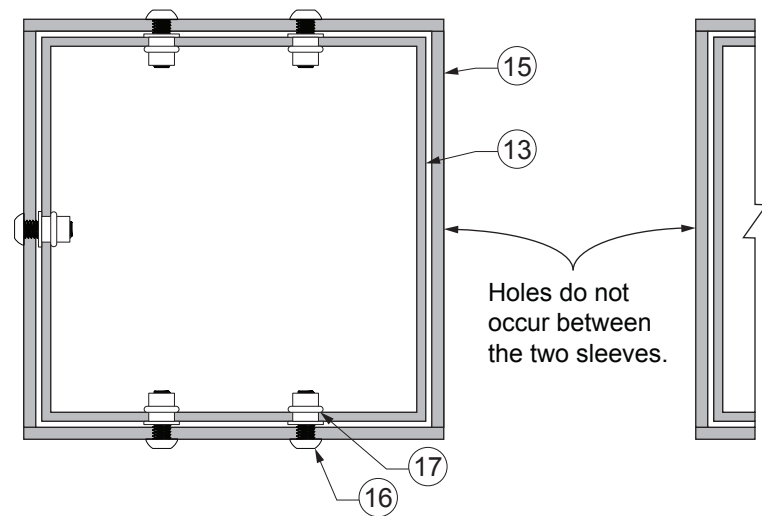
FIRST PRINT: 11/8/2021

10339 6435 Art # SO #

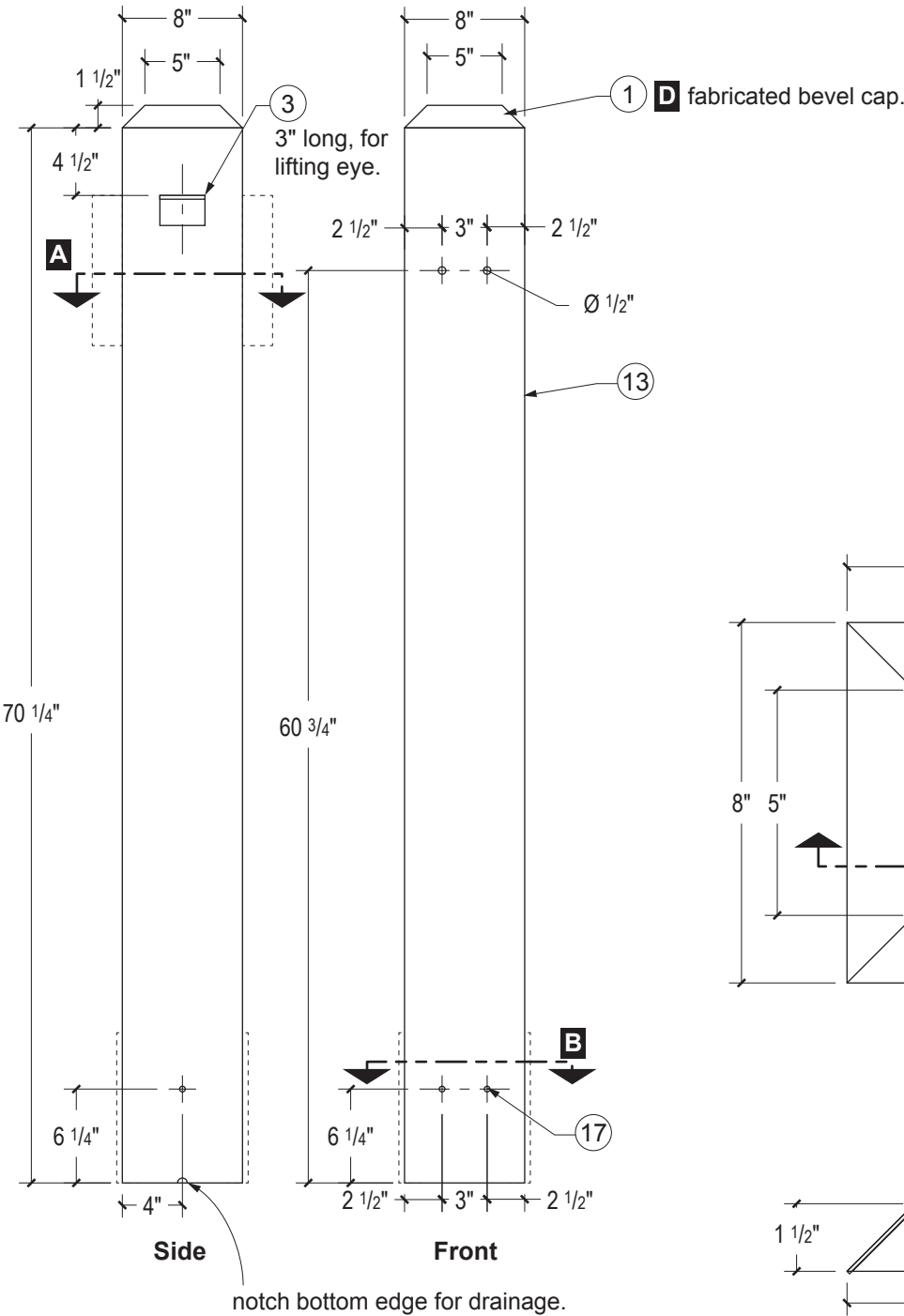
4 SHEET



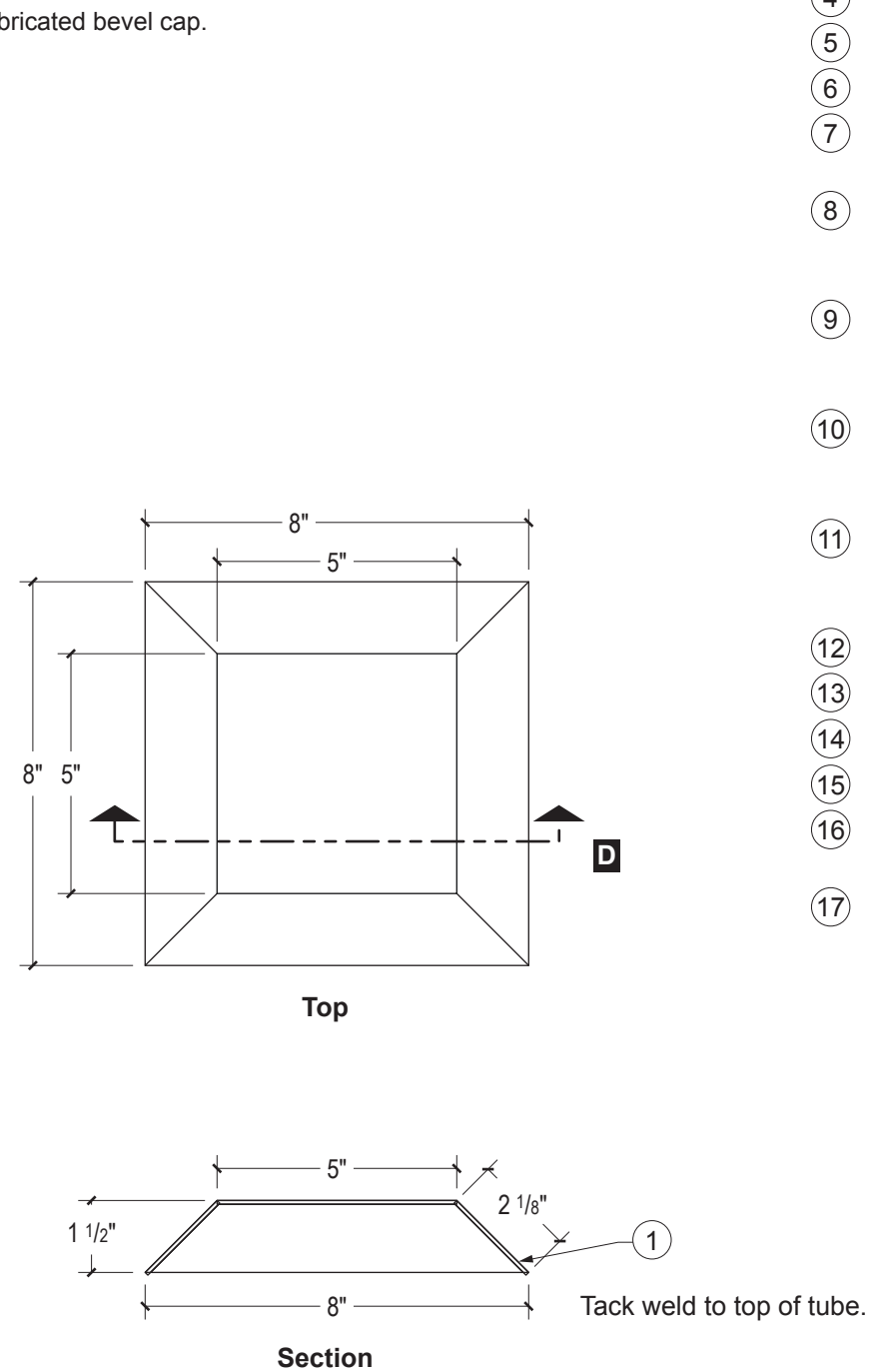
**A** Section at Header Bar scale: 1" = 1'-0"



**B** Section at Mounting Plate scale: 1" = 1'-0"



**C** 8" Sq. Post scale: 1" = 1'-0"



**D** Bevel Cap scale: 1" = 1'-0"

Notes

- ① .080" aluminum sheet.
- ② 2x1x1/8" aluminum channel.
- ③ 2x2x1/4" x 1" long aluminum structural angle.
- ④ 2x2x1/8" aluminum rect. tube.
- ⑤ .063" aluminum sheet.
- ⑥ 1x1x1/8" aluminum angle.
- ⑦ #8 x 3/4" 18-8 s.s. sheet metal screw.
- ⑧ 3/8"-16 x 3" 18-8 s.s. button head hex drive screw. McM 92949A636.
- ⑨ 3/8"-16 18-8 s.s. nylon insert flange locknut. McM 94238A103.
- ⑩ #14 x 1 1/2" 18-8 s.s. Pin-in-Torx round head sheet metal screw. McM 95638A317.
- ⑪ 2" x 8" x 1/8" rectangular aluminum tube. Radiused notches at bottom corners.
- ⑫ 4x4x1/4" sq. aluminum tube.
- ⑬ 8x8x3/16" sq. aluminum tube.
- ⑭ 2x4x1/8" rect. aluminum tube.
- ⑮ 1/4" aluminum plate.
- ⑯ 3/8"-16 18-8 s.s. button head Pin-in-Torx machine screw.
- ⑰ 3/8"-16 nutsert or similar.

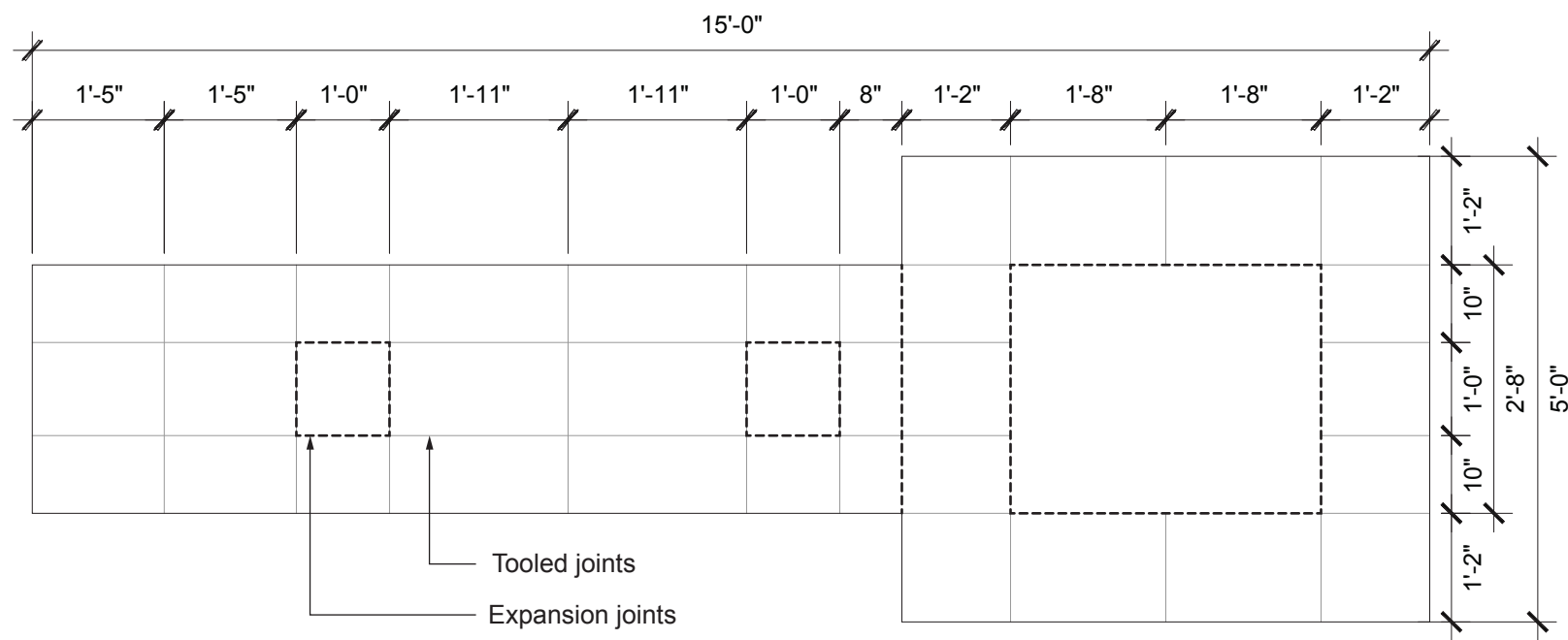
Paint all visible surfaces and hardware satin white.

REVISIONS:	

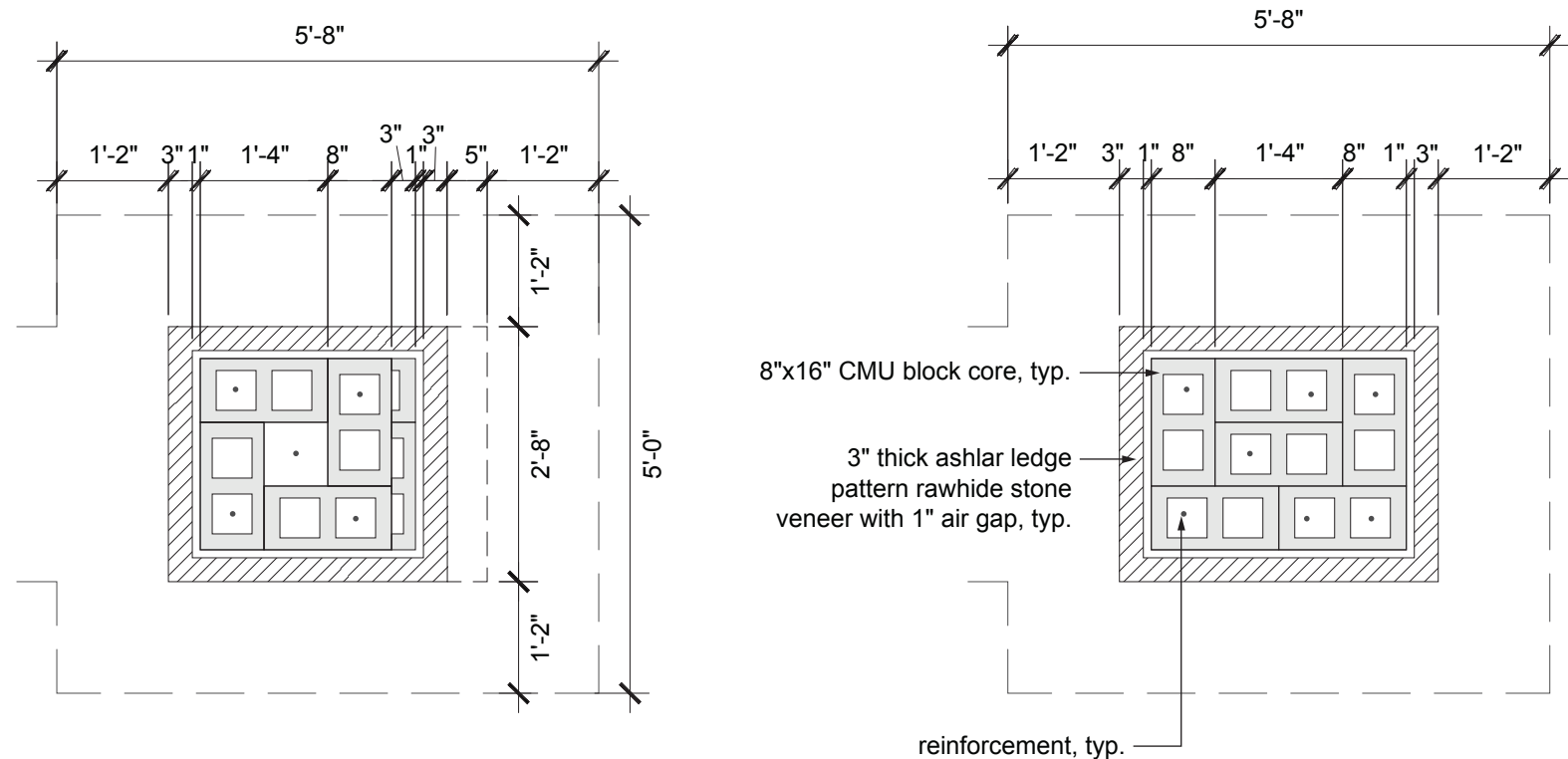
APPROVED  
 APPROVED AS NOTED  
 REVISE AND RESUBMIT

DATE \_\_\_\_\_ SIGNATURE \_\_\_\_\_

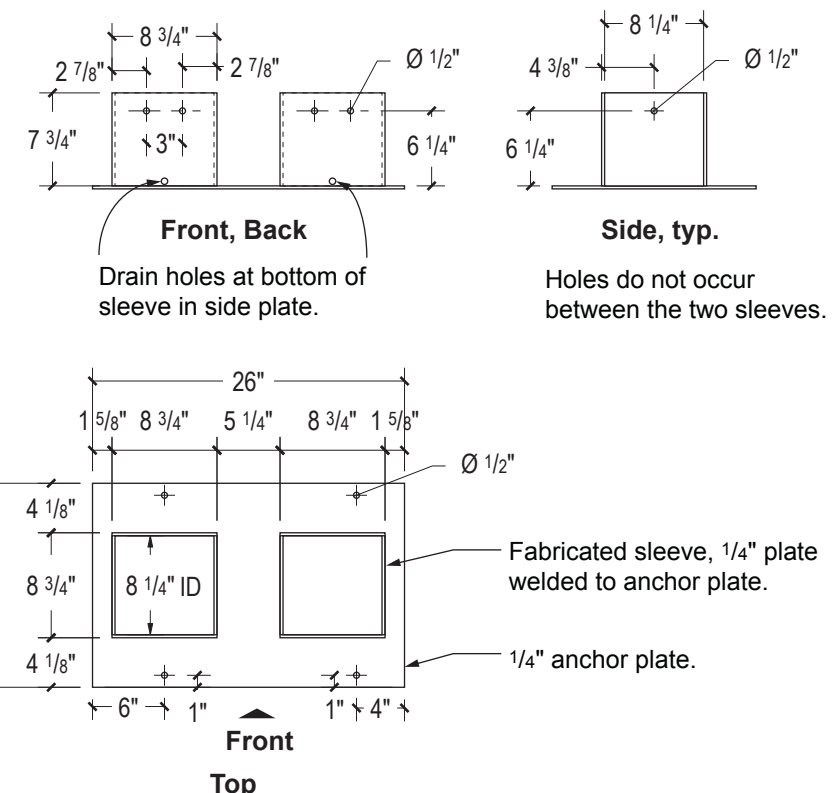




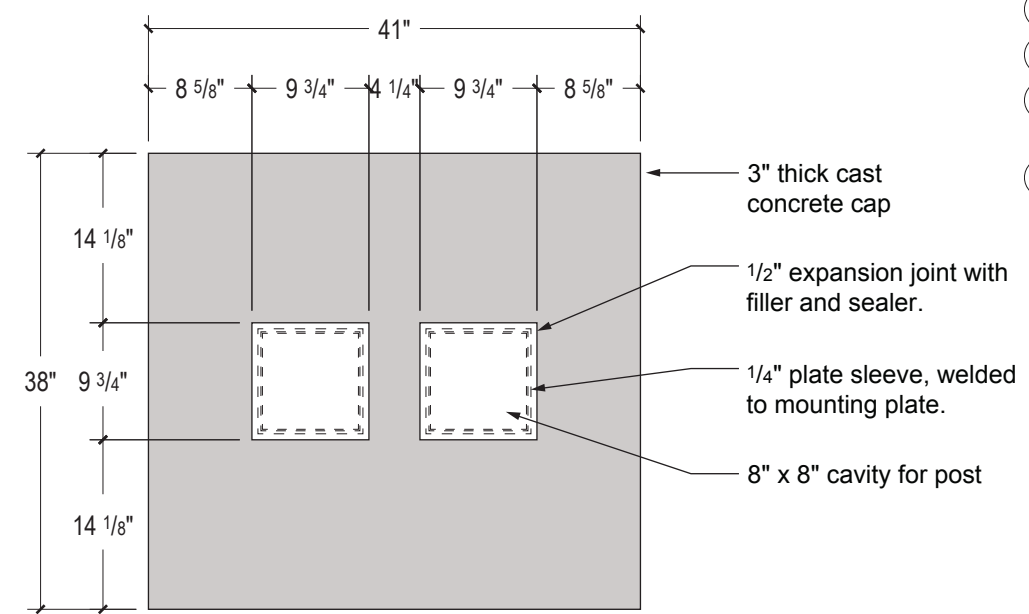
**A Concrete Pad - Plan View** scale: 1/2" = 1'-0"



**B Stacked Reinforced Block - Plan View** scale: 1/2" = 1'-0"



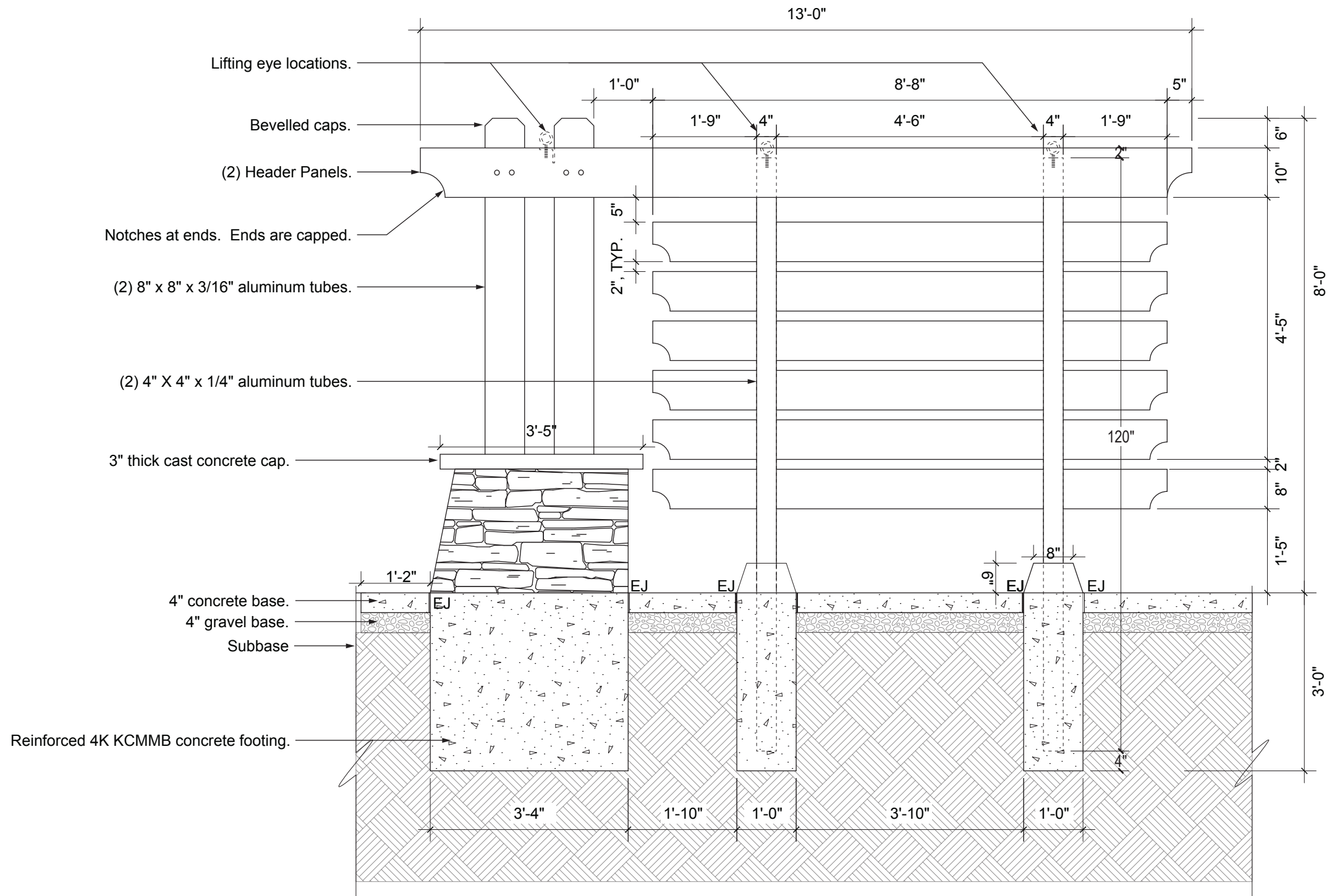
**C Aluminum Mounting Plate** scale: 3/4" = 1'-0"



**D Concrete Cap - Top View** scale: 3/4" = 1'-0"

- Notes
- ① .080" aluminum sheet.
  - ② 2x1x1/8" aluminum channel.
  - ③ 2x2x1/4" x 1" long aluminum structural angle.
  - ④ 2x2x1/8" aluminum rect. tube.
  - ⑤ .063" aluminum sheet.
  - ⑥ 1x1x1/8" aluminum angle.
  - ⑦ #8 x 3/4" 18-8 s.s. sheet metal screw.
  - ⑧ 3/8"-16 x 3" 18-8 s.s. button head hex drive screw. McM 92949A636.
  - ⑨ 3/8"-16 18-8 s.s. nylon insert flange locknut. McM 94238A103.
  - ⑩ #14 x 1 1/2" 18-8 s.s. Pin-in-Torx round head sheet metal screw. McM 95638A317.
  - ⑪ 2" x 8" x 1/8" rectangular aluminum tube. Radiused notches at bottom corners.
  - ⑫ 4x4x1/4" sq. aluminum tube.
  - ⑬ 8x8x3/16" sq. aluminum tube.
  - ⑭ 2x4x1/8" rect. aluminum tube.
  - ⑮ 1/4" aluminum plate.
  - ⑯ 3/8"-16 18-8 s.s. button head Pin-in-Torx machine screw.
  - ⑰ 3/8"-16 nutsert or similar.
- Paint all visible surfaces and hardware satin white.

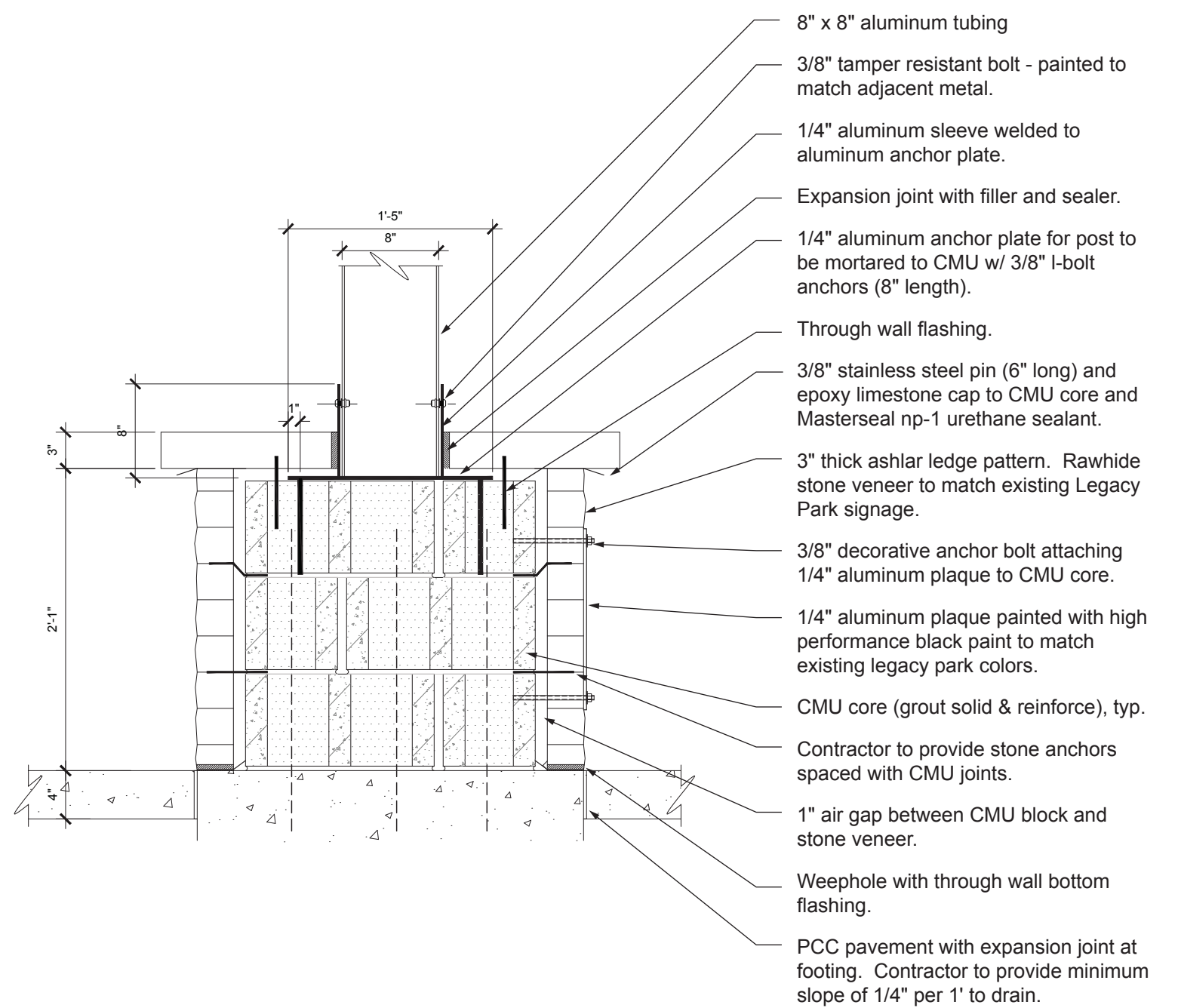
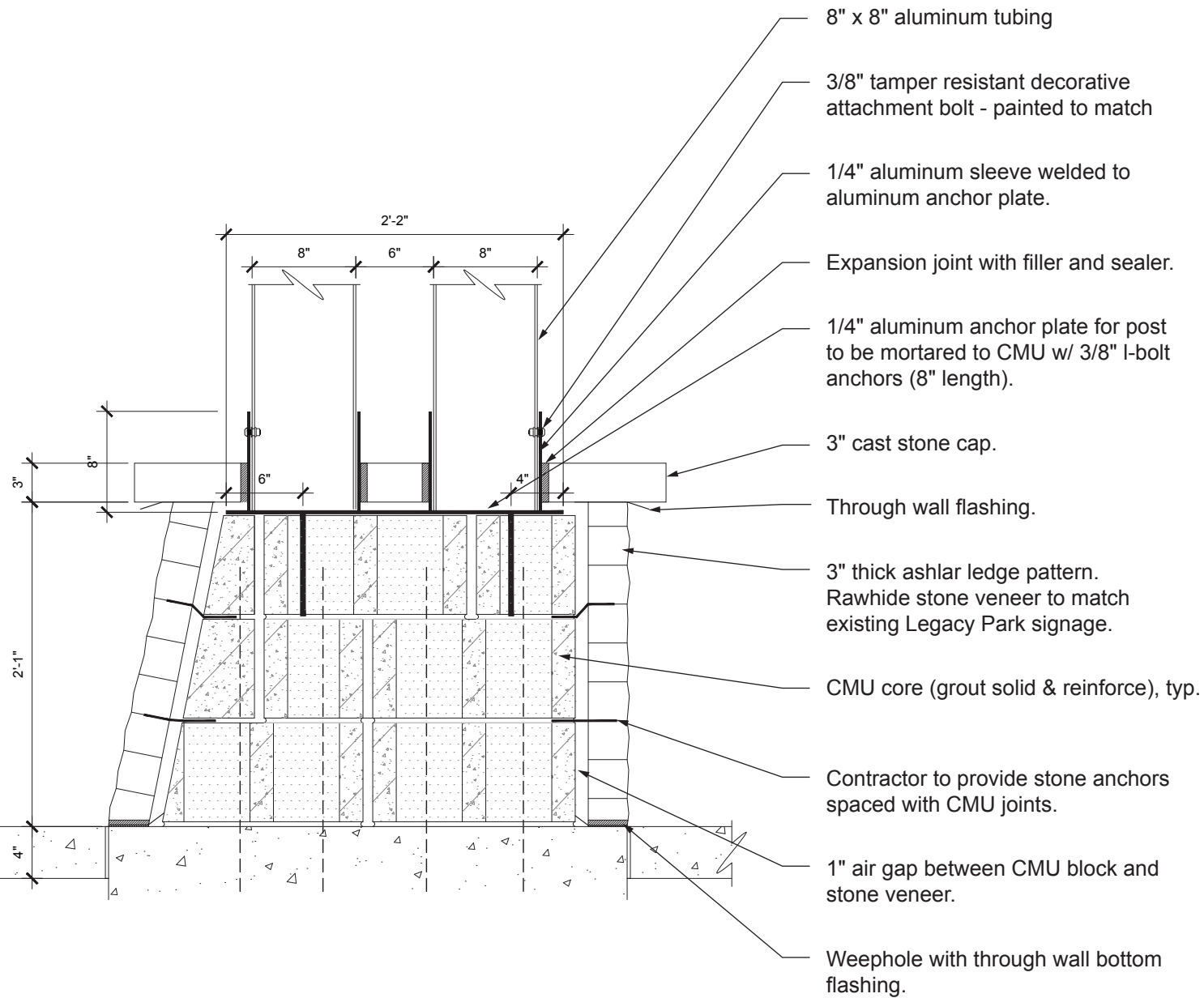
REVISIONS:

**A** Elevation - Back View

scale: 1/2" = 1'-0"

NO.	DESCRIPTION	DATE



**B** Masonry Column Section, Front View

scale: 1" = 1'-0"

**B** Masonry Column Section, Side View

scale: 1" = 1'-0"



**STAR SIGNS, LLC**  
 801 EAST NINTH STREET  
 LAWRENCE, KANSAS 66044  
 P 785.842.4892 F 785.842.2947  
 WWW.STARSIGNSLLC.COM

**Legacy Park Wayfinding**  
 Lee's Summit, MO

Masonry Details

REVISIONS:

NO.	DATE	DESCRIPTION

THIS DRAWING IS THE SOLE PROPERTY OF STAR SIGNS, L.L.C., AND IS INTENDED FOR CUSTOMER APPROVAL ONLY.

APPROVED

APPROVED AS NOTED

REVISE AND RESUBMIT

DATE

SIGNATURE

SP: SR PM: MN Dwg: JH

**10339 6435**

Art # SO #

PRINTED: 2 / 9 / 2022

FIRST PRINT: 11/8/2021

**8**

SHEET