



AREIAL MAP



AREA MAP



VICINITY MAP

FROM I-470 TURN RIGHT (SOUTH-EAST) ONTO NW BLUE PKWY, TURN RIGHT (WEST) ONTO NW CHIPMAN RD, TAKE RAMP (LEFT) ONTO US-50 E / SEDALIA, KEEP RIGHT ONTO RAMP HAMBLEN RD / 291 NORTH / INDEPENDENCE, TURN RIGHT (SOUTH) ONTO SE HAMBLEN RD, THEN IMMEDIATELY TURN RIGHT (WEST) ONTO SE OLDHAM PKWY, TURN LEFT (SOUTH) ONTO LOCAL ROAD(S) TO SITE LOCATION.

DRIVING DIRECTIONS



SE BLUE PKWY/A5C0464A

SE BLUE PKWY/MO-07000

SITE ADDRESS

465 SE OLDHAM PKWY
 LEE'S SUMMIT, MISSOURI 64081
 JACKSON COUNTY
 LATITUDE: 38° 54' 02.60" (38.900722) N
 LONGITUDE: 94° 21' 57.80" (94.366056) W
 TAX/PIN #: 61-500-04-49-01-0-00-000
 ZONING: CITY OF LEE'S SUMMIT
 RFDS CONFIGURATION: TBD
 RFDS DATE: TBD



Know what's below.
 Call before you dig.
www.call811.com

MUNICIPALITY:
 LEE'S SUMMIT

STATE:
 MISSOURI

TOWER TYPE:
 MONOPOLE

TOWER HEIGHT:
 140'-0" (150' TO HIGHEST APPURTENANCE)

NUMBER OF CARRIERS:
 0 EXISTING, 1 PROPOSED

USE:
 PROPOSED TELECOMMUNICATIONS TOWER
 AND UNMANNED EQUIPMENT

CONSULTANT:
 SSC, INC.
 9900 WEST 109TH STREET, SUITE 300
 OVERLAND PARK, KANSAS 66210
 PHONE: (913) 438-7700
 FAX: (913) 438-7777
 ATTN.: JEFF KONKEL

PROJECT SUMMARY

DEVELOPER
 SKYWAY TOWERS, LLC
 3637 MADACA LANE
 TAMPA, FL 33618
 PHONE: 813-960-6200
 ATTN: CARRIE TORREY

POWER COMPANY
 KCP&L

TELEPHONE COMPANY
 AT&T

CIVIL ENGINEERING FIRM
 LOVELACE & ASSOCIATES
 929 SE 3RD STREET
 LEE'S SUMMIT, MISSOURI 64063
 PHONE: (816) 347-9997
 FAX: (816) 347-9979

PROPERTY OWNER
 NEW TKG-KC, LLC
 A MISSOURI LIMITED LIABILITY COMPANY

CONTACTS

SHEET	DESCRIPTION	REV.	ENG.
T1	COVER SHEET	B	SC/E
CIVIL	SURVEY BY OTHERS		
C-1.0	OVERALL SITE PLAN	B	SC
C-1.1	ENLARGED SITE PLAN	B	SC
C-2.0	EQUIPMENT ELEVATIONS & ANTENNA PLAN	B	SC
C-2.1	SITE SIGNAGE DETAILS	B	SC
C-3.0	COMPOUND FENCE DETAILS	B	SC

SHEET INDEX

T-MOBILE PROJECT MANAGER	DATE
SKYWAY TOWERS PROJECT MANAGER	DATE
APPROVALS	

CARRIER:



PLANS PREPARED FOR:



PLANS PREPARED BY:



ENGINEERING LICENSE:

STATE OF MISSOURI	STATE CERTIFICATE OF AUTHORIZATION #	ENGINEER	PER#	DISCIPLINE
MLO	MICHAEL L. OWENS	E-221		STRUCTURAL/CIVIL SC
KV	KEVIN VANMAELE	E-221		STRUCTURAL/CIVIL SC
REJ	ROBERT E. JEFFREY	E-221	19974	STRUCTURAL/CIVIL SC
TMS	TERRY M. SUPER	E-18521		ELECTRICAL E
SDK	SHELDON D. KEISLING	E-27323		ELECTRICAL E

DRAWING NOTICE

THIS DRAWING HAS NOT BEEN PUBLISHED AND IS THE SOLE PROPERTY OF SSC, INC. AND IS LENT TO THE BORROWER FOR THEIR CONFIDENTIAL USE ONLY, AND IN CONSIDERATION OF THE LOAN OF THIS DRAWING, THE BORROWER PROMISES AND AGREES TO RETURN IT UPON REQUEST AND AGREES THAT IT WILL NOT BE REPRODUCED, COPIED, LENT OR OTHERWISE DISPOSED OF DIRECTLY OR INDIRECTLY, NOR USED FOR ANY PURPOSE OTHER THAN FOR WHICH IT IS FURNISHED.

SUBMITTALS

DESCRIPTION	DATE	BY	REV
ISSUED FOR ZONING	11/08/16	RAN	A
ISSUED FOR ZONING	08/11/17	RKT	B

MLA NAME & SITE NUMBER:

SE BLUE PKWY
 MO-07000

CARRIER NAME & SITE NUMBER

SE BLUE PKWY
 A5C0464A

SITE ADDRESS:

465 SE OLDHAM PKWY
 LEE'S SUMMIT, MISSOURI
 64081

SHEET DESCRIPTION:

COVER SHEET

SHEET NUMBER:

T1

MO-07000 / SE BLUE PKWY

PART OF THE SE 1/4, SECTION 8, T47N, R31W, IN JACKSON COUNTY, MISSOURI

PROPERTY DESCRIPTION: LEASE AREA (AS SURVEYED)

A 50 foot by 50 foot Lease Area, situated in BROWNING INDUSTRIAL PARK EAST, BLOCK G, LOT 1, part of the Southeast Quarter of Section 8, Township 47 North, Range 31 West, in Jackson County, Missouri, more particularly described as follows:

COMMENCING at the Southeast Corner of said LOT 1 (Found 1/2" Pipe); thence along the East line of said LOT 1, North 02°13'26" East, a distance of 108.38 feet; thence leaving said East line, North 87°36'16" West, a distance of 157.02 feet to the POINT OF BEGINNING; thence continuing North 87°27'55" West, a distance of 50.00 feet; thence North 02°32'05" East, a distance of 50.00 feet; thence South 87°27'55" East, a distance of 50.00 feet; thence South 02°32'05" West, a distance of 50.00 feet to the POINT OF BEGINNING. Containing 2,500 square feet.

PROPERTY DESCRIPTION: NON-EXCLUSIVE ACCESS/UTILITY EASEMENT (AS SURVEYED)

A 20 foot wide Access/Utility Easement, situated in BROWNING INDUSTRIAL PARK EAST, BLOCK G, LOT 1, part of the Southeast Quarter of Section 8, Township 47 North, Range 31 West, in Jackson County, Missouri, lying 10.00 feet on each side of the following described centerline:

COMMENCING at the Southeast Corner of said LOT 1 (Found 1/2" Pipe); thence along the East line of said LOT 1, North 02°13'26" East, a distance of 108.38 feet; thence leaving said East line, North 87°36'16" West, a distance of 157.02 feet to the POINT OF BEGINNING of said centerline; thence North 02°23'44" East, a distance of 70.83 feet; thence North 87°46'34" West, a distance of 130.91 feet; thence North 02°22'50" East, a distance of 550.78 feet to the South Right of Way line of SE OLDHAM PKWY (Public Right of Way) and the POINT OF TERMINATION.

PROPERTY DESCRIPTION: NON-EXCLUSIVE UTILITY EASEMENT (AS SURVEYED)

A 10 foot wide Access/Utility Easement, situated in BROWNING INDUSTRIAL PARK EAST, BLOCK G, LOT 1, part of the Southeast Quarter of Section 8, Township 47 North, Range 31 West, in Jackson County, Missouri, lying 5.00 feet on each side of the following described centerline:

COMMENCING at the Southeast Corner of said LOT 1 (Found 1/2" Pipe); thence along the East line of said LOT 1, North 02°13'26" East, a distance of 108.38 feet; thence leaving said East line, North 87°36'16" West, a distance of 147.02 feet; thence North 02°23'44" East, a distance of 55.63 feet to the POINT OF BEGINNING of said centerline; thence South 87°46'34" East, a distance of 136.85 feet to the POINT OF TERMINATION.

Notes:

Bearings shown hereon are referenced to Grid North of the Missouri State Plane Coordinate System of 1983 (NAD 83), (2011 ADJ.), West Zone. Obtained by static GPS observations and Rinx File submittals for NGS Opus solutions.

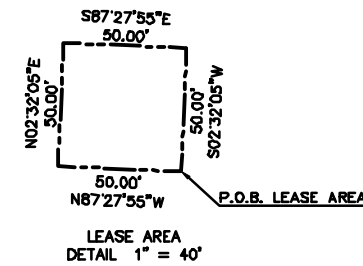
Vertical Datum = NAVD88 using GEOID12B

The purpose of this survey is to establish and describe a Lease Area and associated Easements. This is not a boundary survey of the Parent Parcel.

The utilities as shown on this drawing were developed from the information available (existing utility maps, aboveground observations and/or surface markings placed on the ground by the utility company or a representative thereof). This company has made no attempt to excavate or go below surface to locate utilities and does not extend or imply a guaranty or warranty as to the exact location of or complete inventory of utilities in this area. It shall be the contractor's responsibility to verify the location and depth of all utilities (whether shown or not) prior to excavation or construction and to protect said utilities from damage.

PROPERTY LEGEND

FOUND CORNER	○
RIGHT OF WAY	R/W
CENTERLINE	C/L
POINT OF BEGINNING	P.O.B.
POINT OF TERMINATION	P.O.T.
ACCESS/UTILITY EASEMENT	AMU/E
UTILITY EASEMENT	U/E
NON-EXCLUSIVE	N-E



LEGEND

POWER POLE	○ PP
TELEPHONE PEDESTAL	○ TP
ANCHOR	∩
ELECTRIC METER	○ EM
WATER METER	○ WM
GAS METER	○ GM
WATER SPOUT	∩ WS
FIRE HYDRANT	∩ FH
SIGN	—
AC UNIT	□ A/C
GATE POST	• GP
GUARD POST	• G
ACCESS PAD	• AP
MANHOLE (SAN., STORM, TEL.)	⊙
PROPOSED TOWER	△
FENCE	— X —
OVERHEAD POWER LINE	— OHP —
BENCHMARK	⊕
CONTROL POINT	△

PROPOSED CELL TOWER DATA
Center of Tower
Lat 38°54'02.60" North
Long 94°21'57.80" West
Ground Elevation = 1037ft

BENCH MARK
Top of 1/2" Iron Bar w/
Control Cap at CP-1
Elevation = 1044.28ft

PROPERTY DESCRIPTION: Parent Parcel as Provided

LOT 1, BROWNING INDUSTRIAL PARK EAST, BLOCK G, LOT 1, A SUBDIVISION IN LEE'S SUMMIT, JACKSON COUNTY, MISSOURI, ACCORDING TO THE RECORDED PLAT THEREOF.

TAX ID NO: 61-500-04-49-01-0-00-000

NOTE: The parent parcel graphically shown hereon, in full or in part, is the same as that described above.
Property information shown hereon was provided by Old Republic Insurance Group, Order No. 01-16089856-DIS, dated 10-07-2016.
Schedule B-II Information:

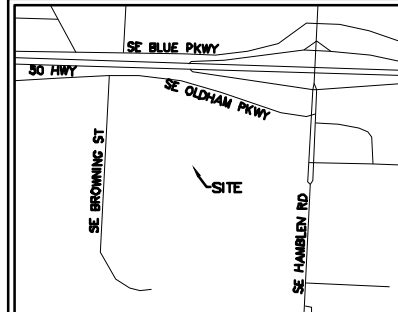
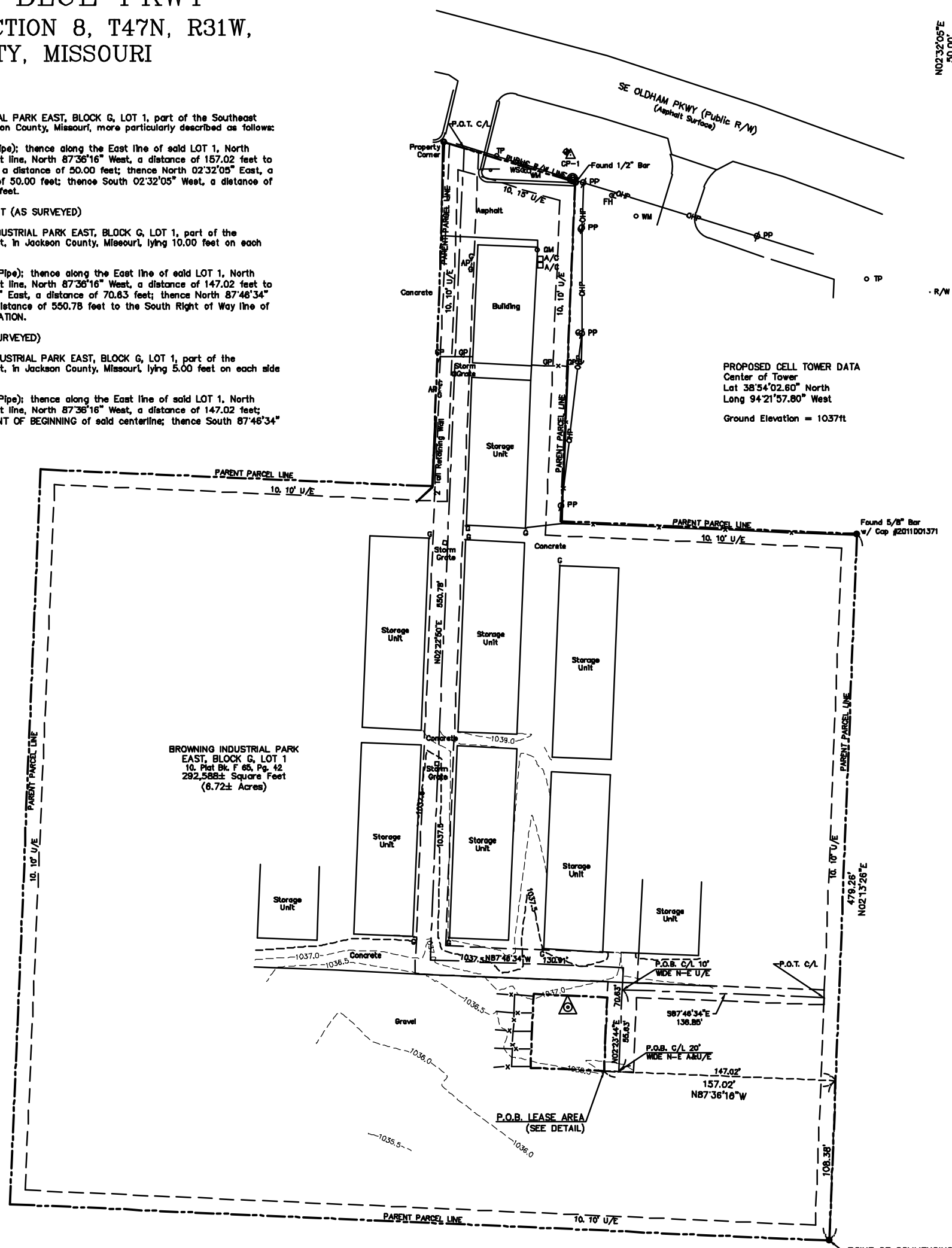
- (1) A FUTURE ADVANCE DEED OF TRUST, ASSIGNMENT OF LEASES AND RENTS, SECURITY AGREEMENT, FINANCING STATEMENT AND FUTURE FILING, TO SECURE AN INDEBTEDNESS OF THE AMOUNT STATED BELOW AND ANY OTHER AMOUNTS PAYABLE UNDER THE TERMS THEREOF: AMOUNT: \$80,000,000.00 TRUSTOR: NEW TKG-KC, LLC BENEFICIARY: WELLS FARGO BANK, N.A. DATED: 11/21/2014 RECORDED: 11/24/2014 DOC# 2014E0087890 (Not the type to be depicted hereon)
 - (2) UNIFORM COMMERCIAL CODE INSTRUMENT EXECUTED BY NEW TKG-KG, LLC, DEBTOR, IN FAVOR OF WELLS FARGO BANK, NATIONAL ASSOCIATION, CREDITOR, RECORDED 11/24/2014, AS INSTRUMENT NO. 2014E0097891 OF JACKSON COUNTY RECORDS. (Not the type to be depicted hereon)
 - (3) PLAT ENTITLED "BROWNING INDUSTRIAL PARK EAST, LOT 4", AS RECORDED IN PLAT BOOK I 36, PAGE(S) 29 OF JACKSON COUNTY RECORDS. (Plat is subsequent to current plat and therefore not shown hereon)
 - (4) UTILITY EASEMENT AND RESERVATIONS AND COVENANTS AS SHOWN AND RESERVED IN DEED, RECORDED 01/10/1978 AS BOOK I 816, PAGE 1877 OF JACKSON COUNTY RECORDS. (Document is subsequent to current plat and therefore not shown hereon)
 - (5) UTILITY EASEMENT AS RESERVED IN DEED, RECORDED 06/12/1978, AS BOOK I 852, PAGE 1181 OF JACKSON COUNTY RECORDS. (Document is subsequent to current plat and therefore not shown hereon)
 - (6) PLAT ENTITLED "BROWNING INDUSTRIAL PARK EAST, LOT 6", AS RECORDED IN PLAT BOOK I 36, PAGE(S) 90 OF JACKSON COUNTY RECORDS. (Plat is subsequent to current plat and therefore not shown hereon)
 - (7) PLAT ENTITLED "RESURVEY OF BROWNING INDUSTRIAL PARK EAST, BLOCKS A, B, C & D", AS RECORDED IN PLAT BOOK I 40, PAGE(S) 118 OF JACKSON COUNTY RECORDS. (Plat is subsequent to current plat and therefore not shown hereon)
- NOTE: TRATIFICATION OF PLAT OF RESURVEY OF BROWNING INDUSTRIAL PARK EAST BLOCKS A, B, C & D, AS RECORDED IN PLAT BOOK I 1336, PAGE(S) 2134 OF JACKSON COUNTY RECORDS. (Plat is subsequent to current plat and therefore not shown hereon)
- (9) PLAT ENTITLED "BROWNING INDUSTRIAL PARK EAST, BLOCK E", AS RECORDED IN PLAT BOOK I 42, PAGE(S) 30 OF JACKSON COUNTY RECORDS. (Plat is subsequent to current plat and therefore not shown hereon)
 - (10) PLAT ENTITLED "MINOR PLAT, BROWNING INDUSTRIAL PARK EAST", AS RECORDED IN PLAT BOOK F 65, PAGE(S) 42 OF JACKSON COUNTY RECORDS. (Shown hereon)

CERTIFICATION:

I HEREBY CERTIFY THAT A SURVEY WAS MADE BY ME, OR UNDER MY DIRECT SUPERVISION, ON THE GROUND OF THE LEASE AREA, AND ASSOCIATED EASEMENT PREMISES HEREIN DESCRIBED, AND THE RESULTS OF SAID SURVEY ARE REPRESENTED HEREON TO THE BEST OF MY PROFESSIONAL KNOWLEDGE AND BELIEF.

JEFFREY B. LOVELACE MO-LS2580
DATE: _____

08-11-17: REV. PER COMMENTS
11-08-16: REV. PER COMMENTS
11-03-16: ADDED TITLE AND A/E



SKYWAY TOWERS

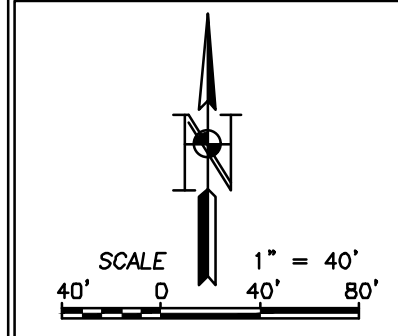
9900 W. 109th St., Suite 300
Overland Park, Kansas 66210
Phone: 913-438-7700
Fax: 913-438-7777

LOVELACE & ASSOCIATES
Land Surveying - Land Planning
Telecommunications Surveys
929 SE 3rd Street Lee's Summit, Missouri 64063
Phone: (816) 347-9997 Fax: (816) 347-9979

SURVEY COORDINATED BY:
LOVELACE AND ASSOCIATES, LLC
P.O. BOX 68,
LEE'S SUMMIT, MO 64063
TELEPHONE: 816-347-9997
FAX: 816-347-9979

SURVEY PROVIDED BY:
LOVELACE AND ASSOCIATES, LLC
P.O. BOX 68,
LEE'S SUMMIT, MO 64063
TELEPHONE: 816-347-9997
FAX: 816-347-9979

SURVEY PROVIDED FOR:
SKYWAY TOWERS, LLC
3637 MADACA LANE,
TAMPA, FL 33618
TELEPHONE: 813-960-6200

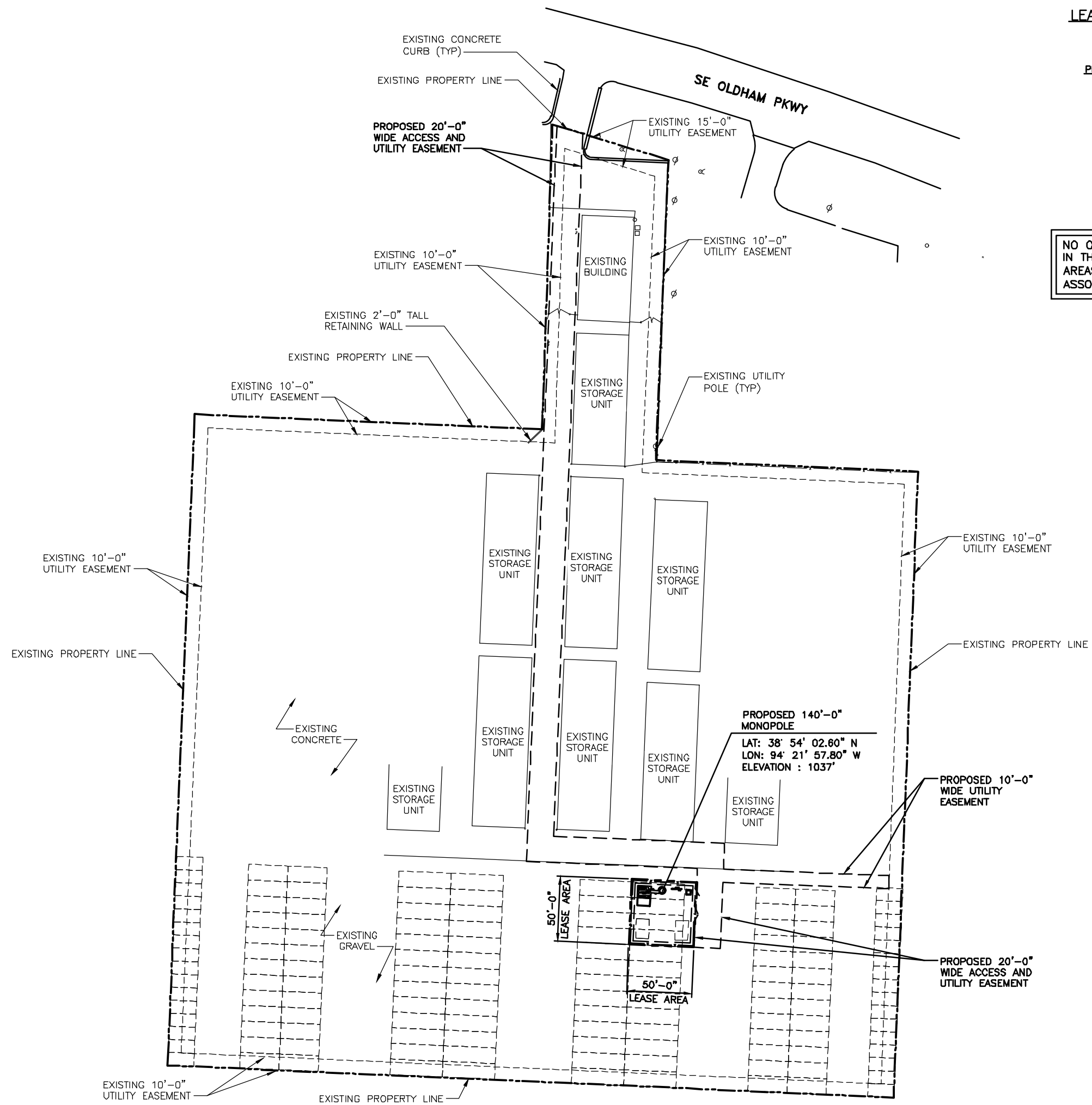


FLOOD NOTE:
According to my interpretations of Community Panel No. 2909500313F of the Flood Insurance Rate Map for Jackson County, Missouri, dated 08-29-2006, the subject property is in Flood Zone "X", i.e. "areas determined to be outside the 0.2% annual chance floodplain".

CALL BEFORE YOU DIG - DRILL - BLAST
1-800-344-7483
(TOLL FREE)
MISSOURI ONE CALL SYSTEM, INC.

SITE I.D.: MO-07000
SITE NAME: SE BLUE PKWY
SITE LOCATION:
485 SE OLDHAM PKWY,
LEE'S SUMMIT, MO 64081
LA PROJECT NO.: 16392
DRAWN BY: A.C.T.
CHECKED BY: J.B.L.
DATE: 10-25-16
FIELDWORK DATE: 10-21-16

SHEET NUMBER
1 OF 1



LEASE AREA & EASEMENT NOTES:

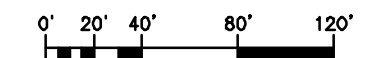
LEASE AREA = 0.06 ACRES

PROPOSED CLEAR & GRUB REMOVAL LIMITS:
 50'-0" x 50'-0" LEASE BOUNDARY
 10' WIDE FOR UTILITY EASEMENT

TOWER SETBACKS TO PROPERTY LINES (FROM TOWER CENTER)	
NORTH	329'-0"
SOUTH	150'-0"
EAST	183'-0"
WEST	372'-0"

NO OIL OR GAS WELLS HAVE BEEN OBSERVED IN THE PROPOSED LEASE OR EASEMENT AREAS PER THE SURVEY (LOVELACE & ASSOCIATES #16392). SEE PREVIOUS SHEET.

PROPOSED 140'-0" MONOPDLE
 LAT: 38° 54' 02.80" N
 LON: 94° 21' 57.80" W
 ELEVATION : 1037'



OVERALL SITE PLAN

CARRIER:



PLANS PREPARED FOR:



PLANS PREPARED BY:

9900 West 109th Street, Suite 300
 Overland Park, Kansas 66210
 Phone: 913-438-7700
 Fax: 913-438-7777



ENGINEERING LICENSE:

STATE OF MISSOURI

STATE CERTIFICATE OF AUTHORIZATION # EF

ENGINEER	PER#	DISCIPLINE
MLO MICHAEL L. OWENS	E-2011	STRUCTURAL/CIVIL SC
KV KEVIN VANMAELE	E-2011	STRUCTURAL/CIVIL SC
REJ ROBERT E. JEFFERS	E-2011	STRUCTURAL/CIVIL SC
TMS TERRY M. SUPER	E-18521	ELECTRICAL E
SDK SHELLY D. KEISLING	E-27323	ELECTRICAL E

DRAWING NOTICE

THIS DRAWING HAS NOT BEEN PUBLISHED AND IS THE SOLE PROPERTY OF SSC, INC. AND IS LENT TO THE BORROWER FOR THEIR CONFIDENTIAL USE ONLY, AND IN CONSIDERATION OF THE LOAN OF THIS DRAWING, THE BORROWER PROMISES AND AGREES TO RETURN IT UPON REQUEST AND AGREES THAT IT WILL NOT BE REPRODUCED, COPIED, LENT OR OTHERWISE DISPOSED OF DIRECTLY OR INDIRECTLY, NOR USED FOR ANY PURPOSE OTHER THAN FOR WHICH IT IS FURNISHED.

SUBMITTALS

DESCRIPTION	DATE	BY	REV
ISSUED FOR ZONING	11/08/16	RAN	A
ISSUED FOR ZONING	08/11/17	RKT	B

MLA NAME & SITE NUMBER:

**SE BLUE PKWY
 MO-07000**

CARRIER NAME & SITE NUMBER

**SE BLUE PKWY
 A5C0464A**

SITE ADDRESS:

465 SE OLDHAM PKWY
 LEE'S SUMMIT, MISSOURI
 64081

SHEET DESCRIPTION:

OVERALL SITE PLAN

SHEET NUMBER:

C-1.0

1 NOTE:
 CONTRACTOR TO PROVIDE "KNOX BOX" 3200
 SERIES RAPID ENTRY SYSTEM IN ASSOCIATION
 WITH THE CITY OF LEE'S SUMMIT FIRE DEPT.
 CONTACT ASSISTANT FIRE MARSHALL JIM EDEN
 AT (816) 969-1303.

CARRIER:



PLANS PREPARED FOR:



PLANS PREPARED BY:

9900 West 109th Street, Suite 300
 Overland Park, Kansas 66210
 Phone: 913-438-7700
 Fax: 913-438-7777

ENGINEERING LICENSE:
 STATE OF MISSOURI
 STATE CERTIFICATE OF AUTHORIZATION # EF
 ENGINEER: PER:
 MLO MICHAEL L. OWENS E-2312 STRUCTURAL/CIVIL SC
 KV KEVIN VANMAELE E-2312 STRUCTURAL/CIVIL SC
 REJ ROBERT E. JENSEN E-2312 STRUCTURAL/CIVIL SC
 TMS TERRY M. SUPER E-18521 ELECTRICAL E
 SDK SHELDON D. KEISLING E-27323 ELECTRICAL E

DRAWING NOTICE
 THIS DRAWING HAS NOT BEEN PUBLISHED AND IS THE
 SOLE PROPERTY OF SSC, INC. AND IS LENT TO THE
 BORROWER FOR THEIR CONFIDENTIAL USE ONLY, AND IN
 CONSIDERATION OF THE LOAN OF THIS DRAWING, THE
 BORROWER PROMISES AND AGREES TO RETURN IT UPON
 REQUEST AND AGREES THAT IT WILL NOT BE
 REPRODUCED, COPIED, LENT OR OTHERWISE DISPOSED OF
 DIRECTLY OR INDIRECTLY, NOR USED FOR ANY PURPOSE
 OTHER THAN FOR WHICH IT IS FURNISHED.

SUBMITTALS

DESCRIPTION	DATE	BY	REV
ISSUED FOR ZONING	11/08/16	RAN	A
ISSUED FOR ZONING	08/11/17	RKT	B

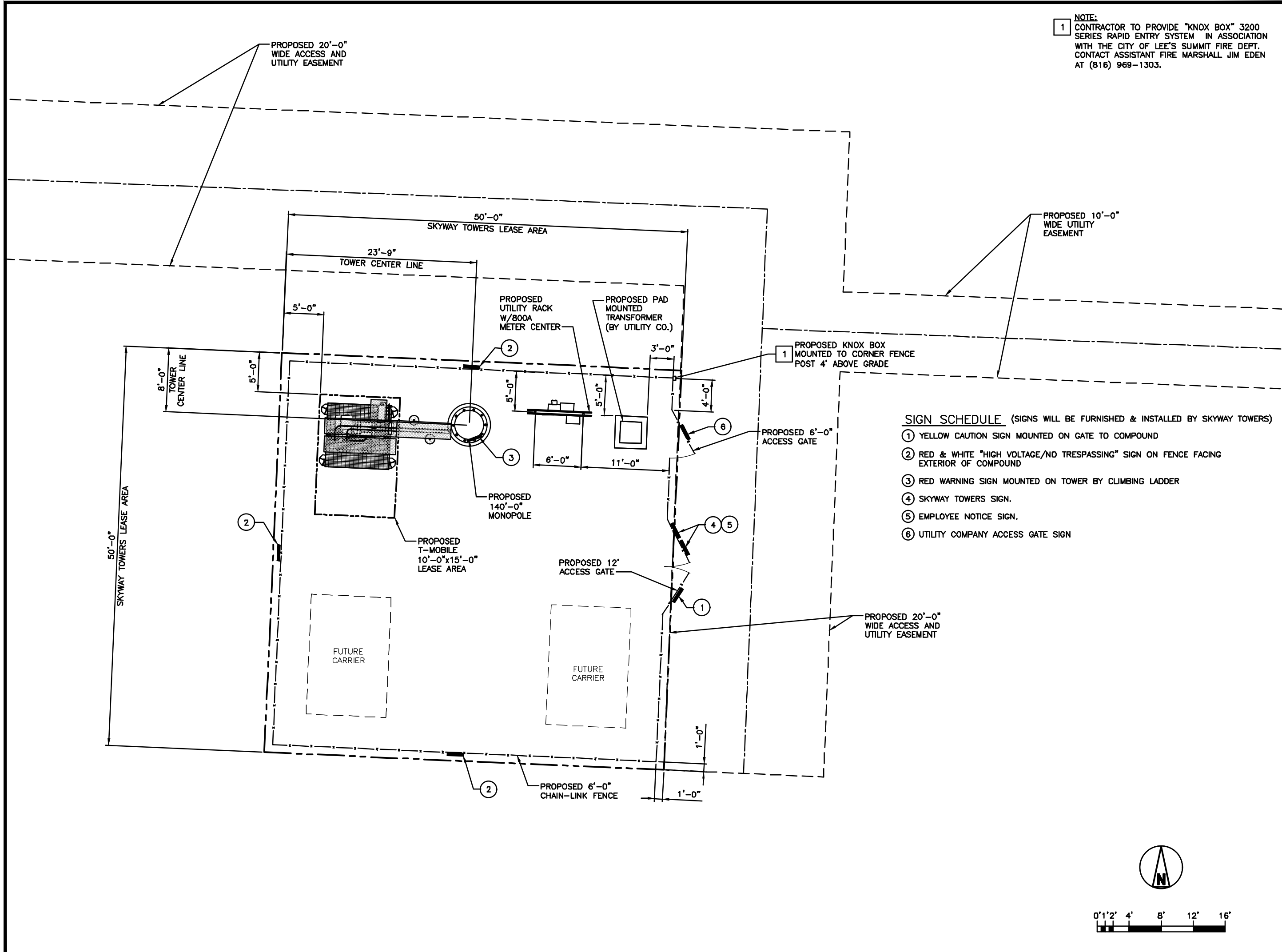
MLA NAME & SITE NUMBER:
**SE BLUE PKWY
 MO-07000**

CARRIER NAME & SITE NUMBER
**SE BLUE PKWY
 A5C0464A**

SITE ADDRESS:
 465 SE OLDHAM PKWY
 LEE'S SUMMIT, MISSOURI
 64081

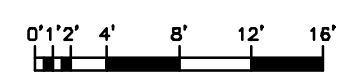
SHEET DESCRIPTION:
ENLARGED SITE PLAN

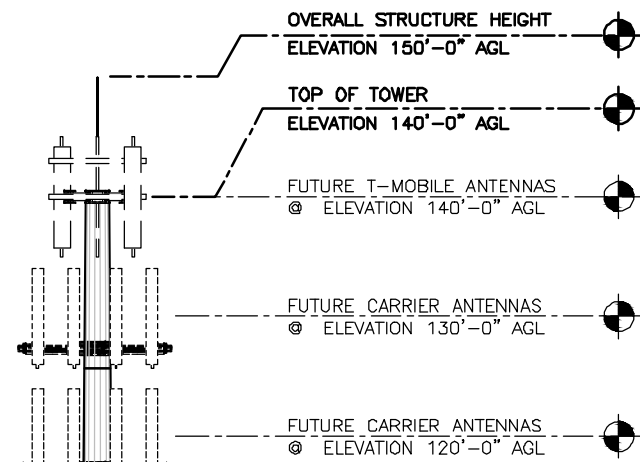
SHEET NUMBER:
C-1.1



SIGN SCHEDULE (SIGNS WILL BE FURNISHED & INSTALLED BY SKYWAY TOWERS)

- ① YELLOW CAUTION SIGN MOUNTED ON GATE TO COMPOUND
- ② RED & WHITE "HIGH VOLTAGE/NO TRESPASSING" SIGN ON FENCE FACING EXTERIOR OF COMPOUND
- ③ RED WARNING SIGN MOUNTED ON TOWER BY CLIMBING LADDER
- ④ SKYWAY TOWERS SIGN.
- ⑤ EMPLOYEE NOTICE SIGN.
- ⑥ UTILITY COMPANY ACCESS GATE SIGN



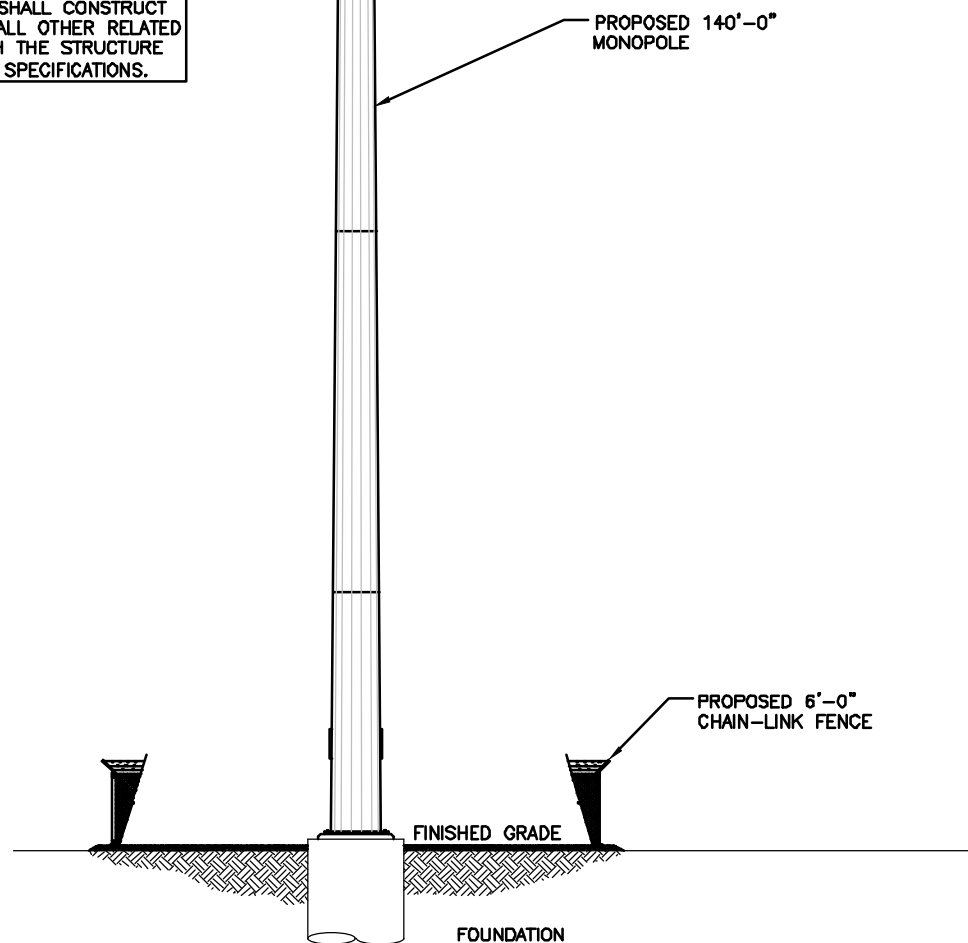


NOTE:

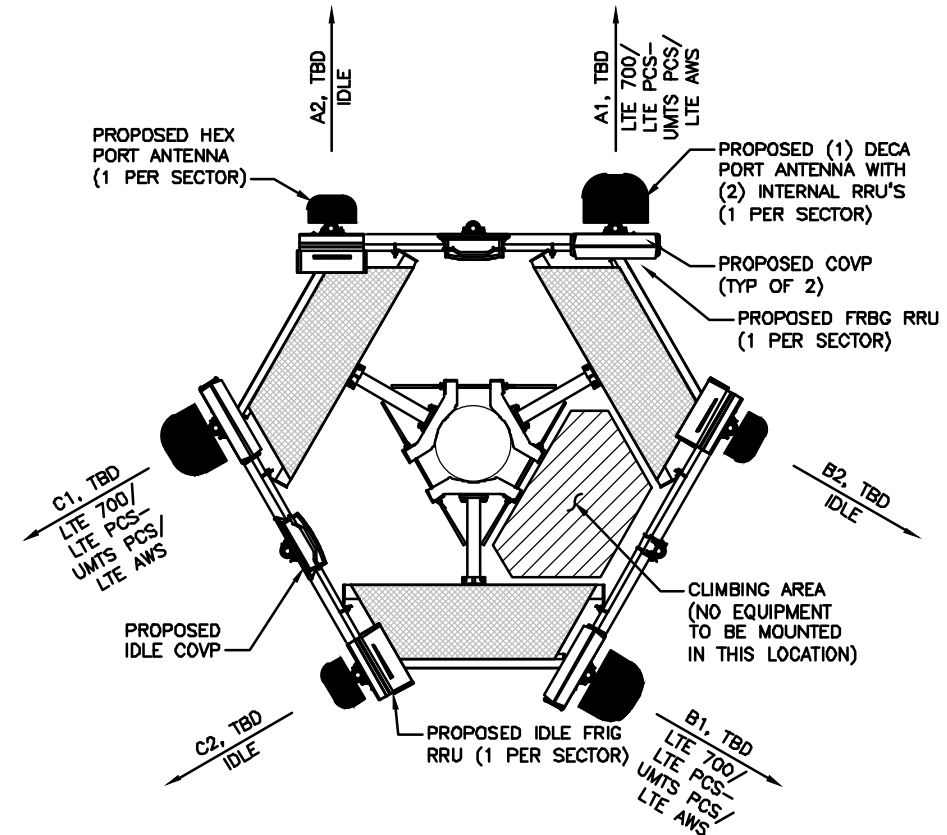
1. ALL TOWER INFORMATION SHOWN IS FOR ILLUSTRATION PURPOSES ONLY, AND MAY DIFFER FROM THE FINAL DESIGN PROVIDED BY THE TOWER MANUFACTURER. THE CONTRACTOR SHALL CONSTRUCT THE TOWER, GUY WIRES, FOOTINGS, AND ALL OTHER RELATED COMPONENTS IN ACCORDANCE WITH THE TOWER MANUFACTURER'S DRAWINGS AND SPECIFICATIONS.
2. THE CONTRACTOR SHALL DOCUMENT THE AS-BUILT CONDITION OF THE TOWER.

NOTE:
ALL INFORMATION ON THIS PAGE IS PROVIDED BY SKYWAY TOWERS AND/OR OTHERS AND IS SHOWN FOR ILLUSTRATIVE PURPOSES ONLY. CONTRACTOR SHALL CONTACT THE SKYWAY TOWERS CONSTRUCTION MANAGER PRIOR TO CONSTRUCTION FOR ALL DETAILED ANTENNA, MOUNT, AND COAX CABLE INFORMATION.

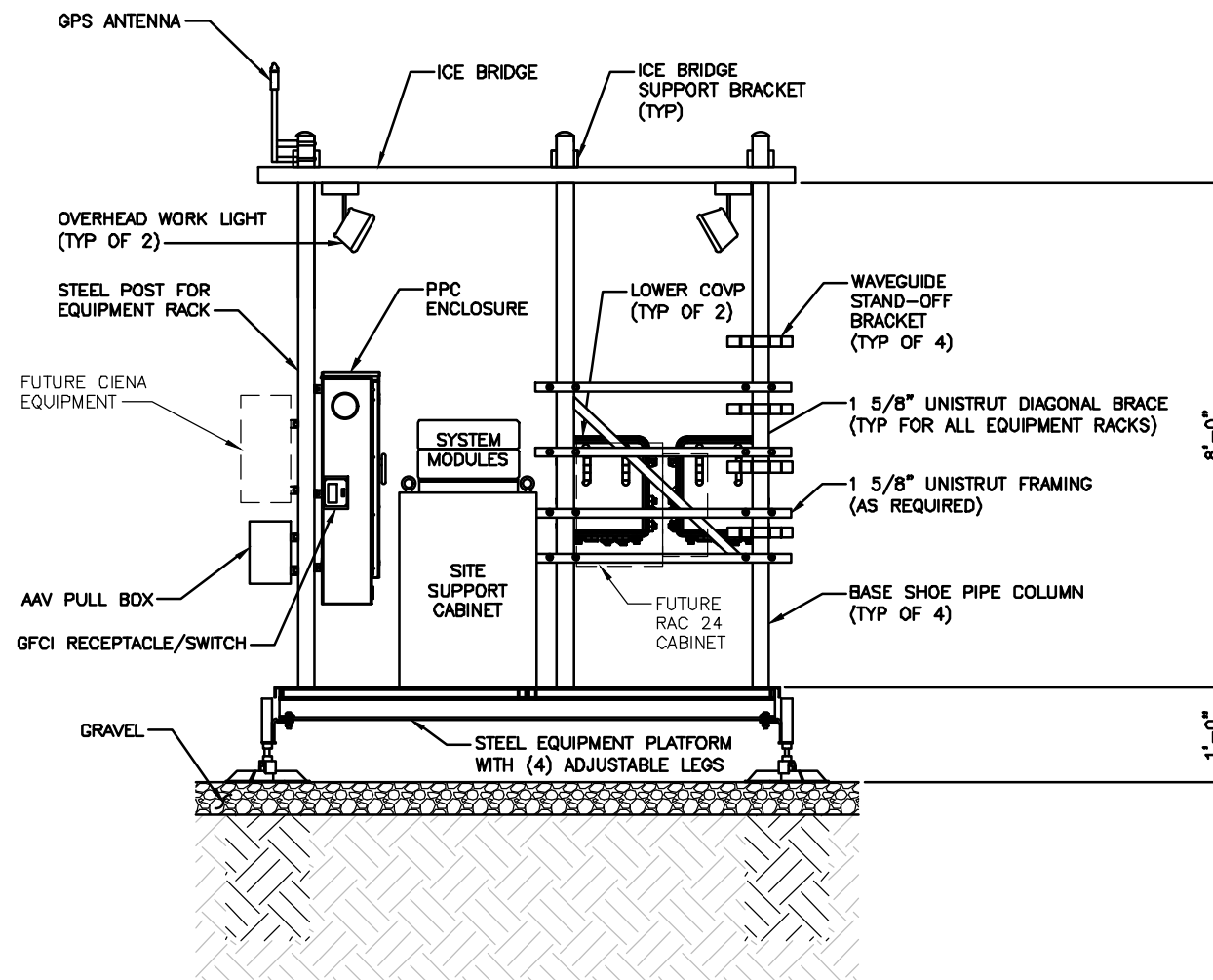
ALL STRUCTURE INFORMATION SHOWN IS FOR ILLUSTRATION PURPOSES ONLY, AND MAY DIFFER FROM THE FINAL DESIGN PROVIDED BY THE STRUCTURE MANUFACTURER. THE CONTRACTOR SHALL CONSTRUCT THE STRUCTURE, FOUNDATION, AND ALL OTHER RELATED COMPONENTS IN ACCORDANCE WITH THE STRUCTURE MANUFACTURER'S DRAWINGS AND SPECIFICATIONS.



TOWER ELEVATION



ANTENNA PLAN



EQUIPMENT PLATFORM ELEVATION

CARRIER:



PLANS PREPARED FOR:



PLANS PREPARED BY:

9900 West 109th Street, Suite 300
Overland Park, Kansas 66210
Phone: 913-438-7700
Fax: 913-438-7777

ENGINEERING LICENSE:
STATE OF MISSOURI
STATE CERTIFICATE OF AUTHORIZATION # EF
ENGINEER: PER:
MLO MICHAEL L. OWENS E-22974 STRUCTURAL/CIVIL SC
KV KEVIN VANMAELE E-22974 STRUCTURAL/CIVIL SC
REJ ROBERT E. JENSEN E-22974 STRUCTURAL/CIVIL SC
TMS TERRY M. SUPER E-18521 ELECTRICAL E
SDK SHELDON D. KEISLING E-27323 ELECTRICAL E

PRELIMINARY ISSUE

DRAWING NOTICE
THIS DRAWING HAS NOT BEEN PUBLISHED AND IS THE SOLE PROPERTY OF SSC, INC. AND IS LENT TO THE BORROWER FOR THEIR CONFIDENTIAL USE ONLY, AND IN CONSIDERATION OF THE LOAN OF THIS DRAWING, THE BORROWER PROMISES AND AGREES TO RETURN IT UPON REQUEST AND AGREES THAT IT WILL NOT BE REPRODUCED, COPIED, LENT OR OTHERWISE DISPOSED OF DIRECTLY OR INDIRECTLY, NOR USED FOR ANY PURPOSE OTHER THAN FOR WHICH IT IS FURNISHED.

SUBMITTALS

DESCRIPTION	DATE	BY	REV
ISSUED FOR ZONING	11/08/16	RAN	A
ISSUED FOR ZONING	08/11/17	RKT	B

MLA NAME & SITE NUMBER:
**SE BLUE PKWY
MO-07000**

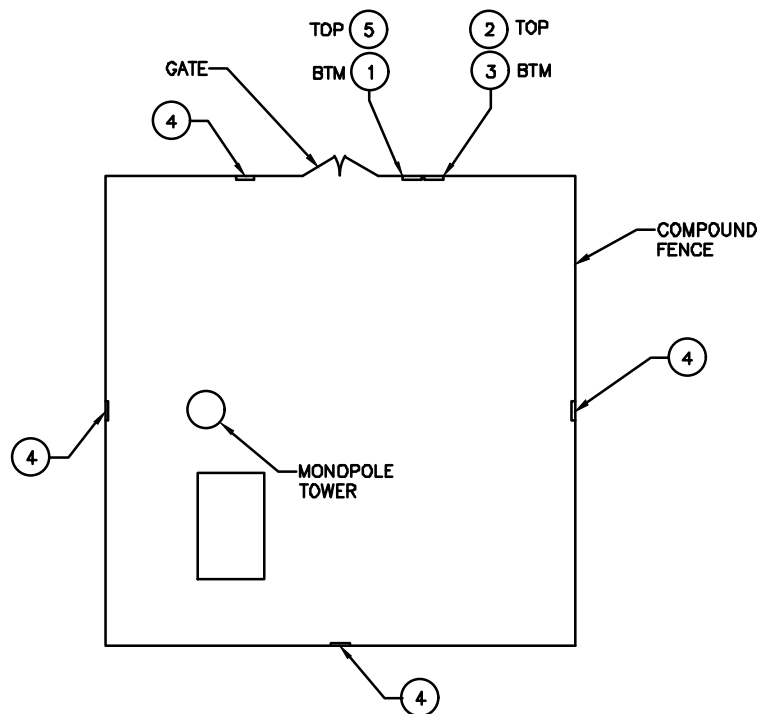
CARRIER NAME & SITE NUMBER:
**SE BLUE PKWY
A5C0464A**

SITE ADDRESS:
**465 SE OLDHAM PKWY
LEE'S SUMMIT, MISSOURI
64081**

SHEET DESCRIPTION:
**EQUIPMENT ELEVATIONS
& ANTENNA PLAN**

SHEET NUMBER:
C-2.0

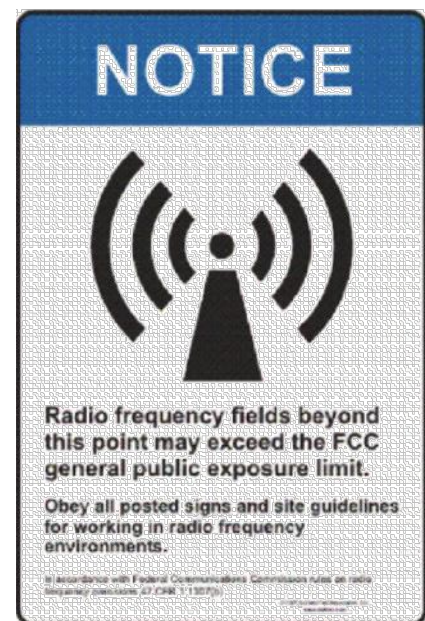
(SIGNS WILL BE FURNISHED & INSTALLED BY SKYWAY TOWERS)



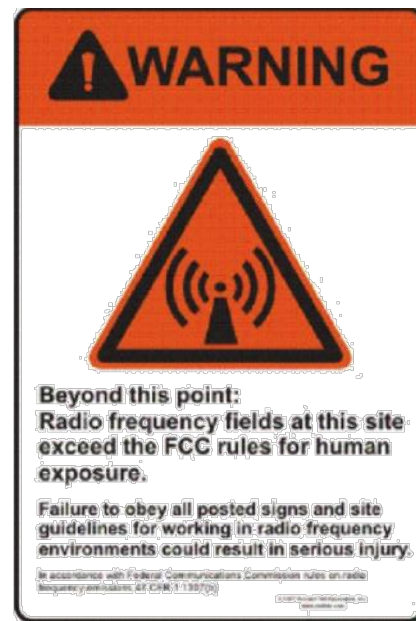
NOTE: SEE TYPICAL SIGNS AND SPECIFICATIONS DETAIL ON THIS SHEET FOR SIGN DESIGNATIONS.

OVERALL SIGN PLACEMENT

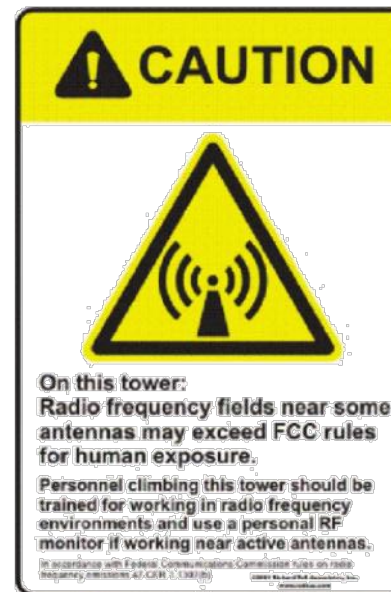
3



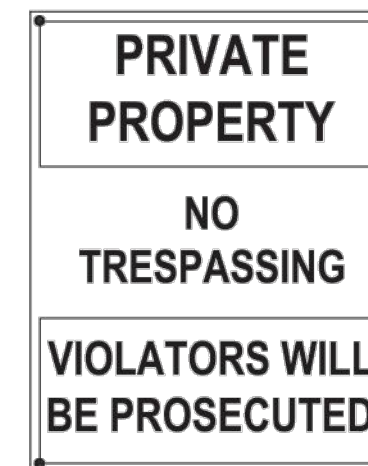
① NOTICE - RF SIGN (BLUE)
12" x 18" DIGITAL PRINT MOUNTED TO 0.40 THICK ALUMINUM (OPERATIONS PROVIDED)



② WARNING - RF SIGN
12" x 18" DIGITAL PRINT MOUNTED TO 0.40 THICK ALUMINUM (OPERATIONS PROVIDED)



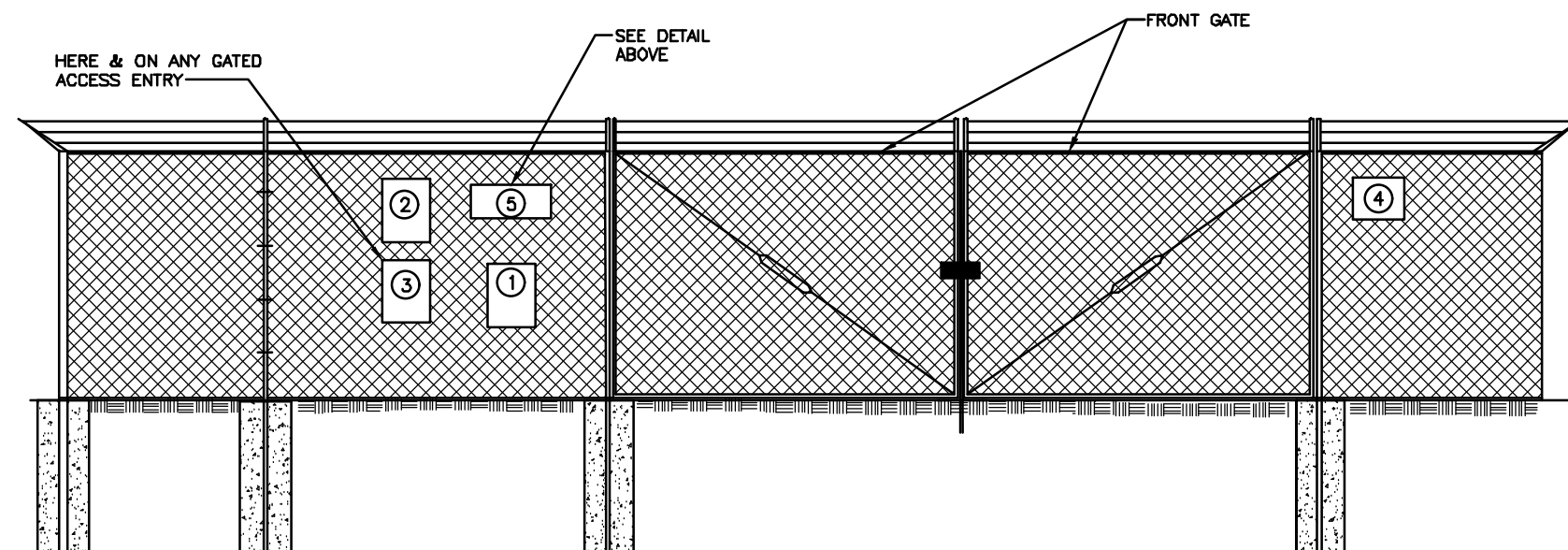
③ CAUTION - RF SIGN (YELLOW)
12" x 18" DIGITAL PRINT MOUNTED TO 0.40 THICK ALUMINUM (OPERATIONS PROVIDED)



④ NO-TRESPASSING SIGN
12" x 18" DIGITAL PRINT MOUNTED TO 0.40 THICK ALUMINUM (OPERATIONS PROVIDED)

TYPICAL SIGNS & SPECIFICATIONS

1



SIGNAGE NOTES:
1. SIGNS SHALL BE FABRICATED FROM CORROSION RESISTANT PRESSED METAL, AND PAINTED WITH LONG LASTING UV RESISTANT COATINGS.
2. SIGNS (EXCEPT WHERE NOTED OTHERWISE) SHALL BE MOUNTED TO THE TOWER, GATE, AND FENCE USING A MINIMUM OF 9 GAUGE ALUMINUM WIRE, HOG RINGS (AS UTILIZED IN FENCE INSTALLATIONS) OR BRACKETS WHERE NECESSARY. BRACKETS SHALL BE OF SIMILAR METAL AS THE STRUCTURE TO AVOID GALVANIC CORROSION.

SITE SIGNAGE FRONT GATE VIEW

2

CARRIER:
T-Mobile

PLANS PREPARED FOR:
SKYWAY TOWERS

PLANS PREPARED BY:
SSC
9900 West 109th Street, Suite 300
Overland Park, Kansas 66210
Phone: 913-438-7700
Fax: 913-438-7777

ENGINEERING LICENSE:
STATE OF MISSOURI
STATE CERTIFICATE OF AUTHORIZATION # EF
ENGINEER: PER:
MLO MICHAEL L. OWENS E-27323 STRUCTURAL/CIVIL SC
KV KEVIN VANMAELE E-27323 STRUCTURAL/CIVIL SC
REJ ROBERT E. JENSEN E-27323 STRUCTURAL/CIVIL SC
TMS TERRY M. SUPER E-18521 ELECTRICAL E
SDK SHELDON D. KEISLING E-27323 ELECTRICAL E

DRAWING NOTICE
THIS DRAWING HAS NOT BEEN PUBLISHED AND IS THE SOLE PROPERTY OF SSC, INC. AND IS LENT TO THE BORROWER FOR THEIR CONFIDENTIAL USE ONLY, AND IN CONSIDERATION OF THE LOAN OF THIS DRAWING, THE BORROWER PROMISES AND AGREES TO RETURN IT UPON REQUEST AND AGREES THAT IT WILL NOT BE REPRODUCED, COPIED, LENT OR OTHERWISE DISPOSED OF DIRECTLY OR INDIRECTLY, NOR USED FOR ANY PURPOSE OTHER THAN FOR WHICH IT IS FURNISHED.

ISSUED FOR	DESCRIPTION	DATE	BY	REV
ISSUED FOR ZONING		11/08/16	RAN	A
ISSUED FOR ZONING		08/11/17	RKT	B

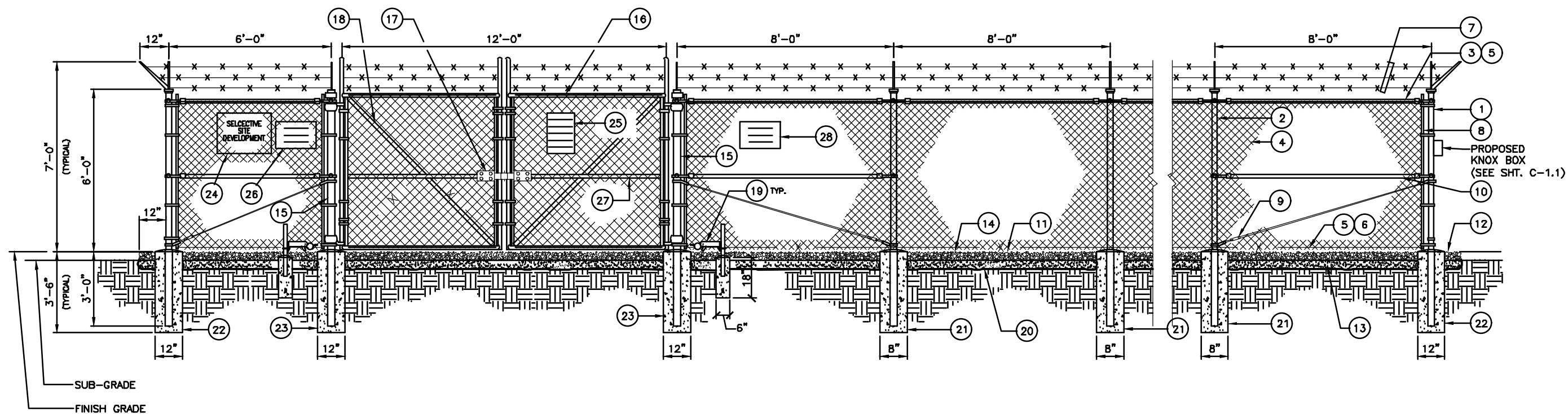
MLA NAME & SITE NUMBER:
SE BLUE PKWY MO-07000

CARRIER NAME & SITE NUMBER:
SE BLUE PKWY A5C0464A

SITE ADDRESS:
465 SE OLDHAM PKWY LEE'S SUMMIT, MISSOURI 64081

SHEET DESCRIPTION:
SITE SIGNAGE DETAILS

SHEET NUMBER:
C-2.1



REFERENCE NOTES:

- 1 CORNER, END OR PULL POST 3" NOMINAL SCHEDULE 40 PIPE.
- 2 LINE POST: 2 1/2" SCHEDULE 40 PIPE, PER ASTM-F1083. LINE POSTS SHALL BE EQUALLY SPACED AT MAXIMUM 8'-0" O.C.
- 3 TOP RAIL & BRACE RAIL: 1 1/2" PIPE, PER ASTM-F1083.
- 4 FABRIC: 9 GA CORE WIRE SIZE 2" MESH, CONFORMING TO ASTM-A392.
- 5 TIE WIRE: MINIMUM 11 GA GALVANIZED STEEL AT POSTS AND RAILS A SINGLE WRAP OF FABRIC TIE AND AT TENSION WIRE BY HOG RINGS SPACED MAX. 24" INTERVALS.
- 6 TENSION WIRE: 9 GA. GALVANIZED STEEL.
- 7 BARBED WIRE: DOUBLE STRAND 12-1/2" O.D. TWISTED WIRE TO MATCH WITH FABRIC 14 GA, 4 PT. BARBS SPACED ON APPROXIMATELY 5" CENTERS.
- 8 STRETCHER BAR.
- 9 3/8" DIAGONAL ROD WITH GALVANIZED STEEL TURNBUCKLE OR DIAGONAL THREADED ROD.
- 10 FENCE CORNER POST BRACE: 1 5/8" DIA. EACH CORNER EACH WAY.
- 11 1 1/2" MAXIMUM CLEARANCE FROM GRADE.
- 12 2" FINISH A.E.G. OR AS DETERMINED BY CONSTRUCTION MANAGER DURING BID WALK.
- 13 4" COMPACTED 95% @ STRUCTURES, 90% ELSEWHERE, BASE MATERIAL OR AS DETERMINED BY CONSTRUCTION MANAGER DURING BID WALK.
- 14 FINISH GRADE SHALL BE UNIFORM AND LEVEL.

- 15 GATE POST 4" SCHEDULE 40 PIPE, FOR GATE WIDTHS UP THRU 7 FEET OR 14 FEET FOR DOUBLE SWING GATE, PER ASTM-F1083.
- 16 GATE FRAME: 1 1/2" PIPE, PER ASTM-F1083.
- 17 "MTS" MULTI-LOCKING DEVICE #MT-C6477, OR EQUAL
- 18 GATE DIAGONAL GALVANIZED STEEL 1 1/2" PIPE.
- 19 DUCK BILL OPEN GATE HOLDER. VERIFY LOCATION IN FIELD PRIOR TO INSTALLATION.
- 20 GEOTEXTILE FABRIC
- 21 LINE POST: CONCRETE FOUNDATION (2000 PSI)
- 22 CORNER POST: CONCRETE FOUNDATION (2000 PSI)
- 23 GATE POST: CONCRETE FOUNDATION (2000 PSI)
- 24 18" x 24" SELECTIVE SITE DEVELOPMENT SIGN
- 25 12" x 18" YELLOW CAUTION SIGN
- 26 12" x 18" EMPLOYEE NOTICE SIGN
- 27 GATE FRAME BRACE: 1 5/8" DIAMETER.
- 28 12" x 18" DANGER HIGH VOLTAGE/NO TRESPASSING SIGN (TYPICAL ALL SIDES OF FENCED COMPOUND)

GENERAL NOTES:

- 1. INSTALL FENCING PER ASTM F-567
- 2. INSTALL SWING GATES PER ASTM F- 900
- 3. LOCAL ORDINANCE OF BARBED WIRE PERMIT REQUIREMENT SHALL BE COMPLIED IF REQUIRED.
- 4. POST & GATE PIPE SIZES ARE INDUSTRY STANDARDS. ALL PIPE TO BE 1 1/2" GALV. (HOT DIP, ASTM A120 GRADE "A" STEEL). ALL GATE FRAMES SHALL BE WELDED. ALL WELDING SHALL BE COATED WITH (3) COATS OF COLD GALV. (OR EQUAL).
- 5. ALL OPEN POSTS SHALL HAVE END-CAPS.
- 6. USE GALVANIZED HOG-RING WIRE TO MOUNT ALL SIGNS.
- 7. ALL SIGNS MUST BE MOUNTED ON INSIDE OF FENCE FABRIC.

CARRIER:



PLANS PREPARED FOR:



PLANS PREPARED BY:

9900 West 109th Street, Suite 300
 Overland Park, Kansas 66210
 Phone: 913-438-7700
 Fax: 913-438-7777

ENGINEERING LICENSE:
 STATE OF MISSOURI
 STATE CERTIFICATE OF AUTHORIZATION # EF
 ENGINEER: PER:
 MLO MICHAEL L. OWENS E-2274 STRUCTURAL/CIVIL SC
 KV KEVIN VANMAELE E-2274 STRUCTURAL/CIVIL SC
 REJ ROBERT E. JENSEN E-2274 STRUCTURAL/CIVIL SC
 TMS TERRY M. SUPER E-18521 ELECTRICAL E
 SDK SHELDON D. KEISLING E-27323 ELECTRICAL E

DRAWING NOTICE
 THIS DRAWING HAS NOT BEEN PUBLISHED AND IS THE SOLE PROPERTY OF SSC, INC. AND IS LENT TO THE BORROWER FOR THEIR CONFIDENTIAL USE ONLY, AND IN CONSIDERATION OF THE LOAN OF THIS DRAWING, THE BORROWER PROMISES AND AGREES TO RETURN IT UPON REQUEST AND AGREES THAT IT WILL NOT BE REPRODUCED, COPIED, LENT OR OTHERWISE DISPOSED OF DIRECTLY OR INDIRECTLY, NOR USED FOR ANY PURPOSE OTHER THAN FOR WHICH IT IS FURNISHED.

SUBMITTALS

DESCRIPTION	DATE	BY	REV
ISSUED FOR ZONING	11/08/16	RAN	A
ISSUED FOR ZONING	08/11/17	RKT	B

MLA NAME & SITE NUMBER:
**SE BLUE PKWY
 MO-07000**

CARRIER NAME & SITE NUMBER
**SE BLUE PKWY
 A5C0464A**

SITE ADDRESS:
 465 SE OLDHAM PKWY
 LEE'S SUMMIT, MISSOURI
 64081

SHEET DESCRIPTION:
**COMPOUND FENCE
 DETAILS**

SHEET NUMBER:
C-3.0