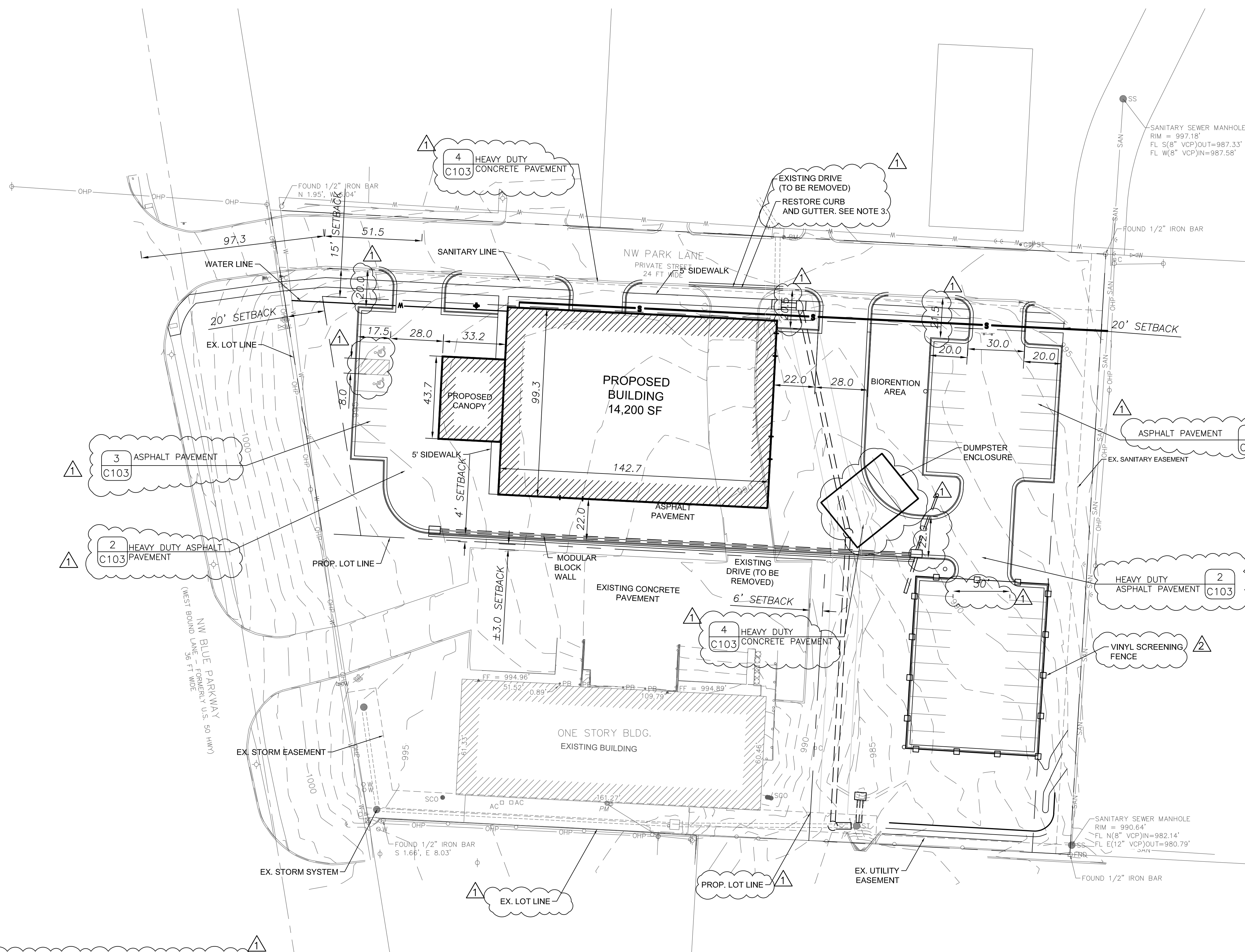
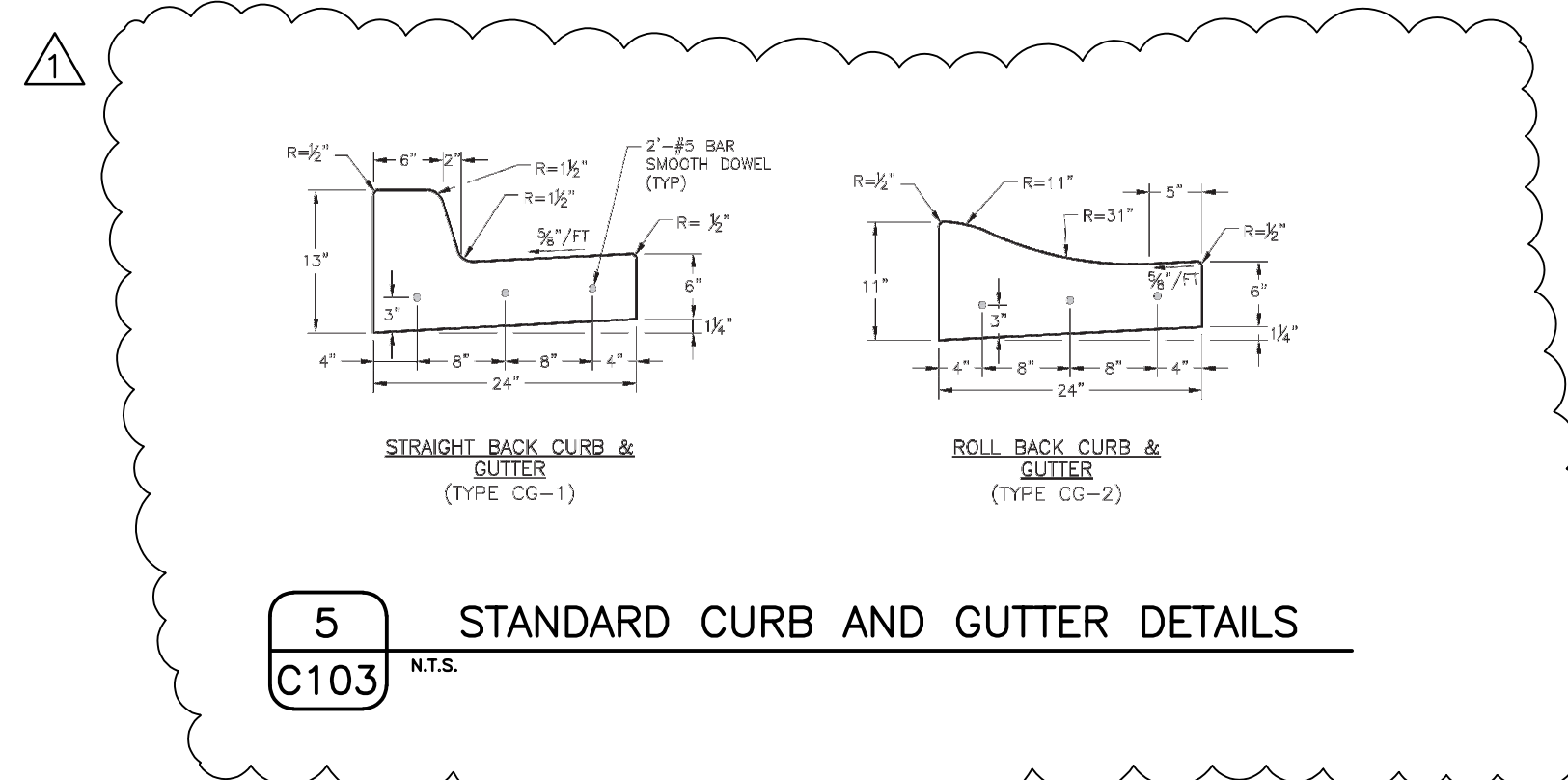
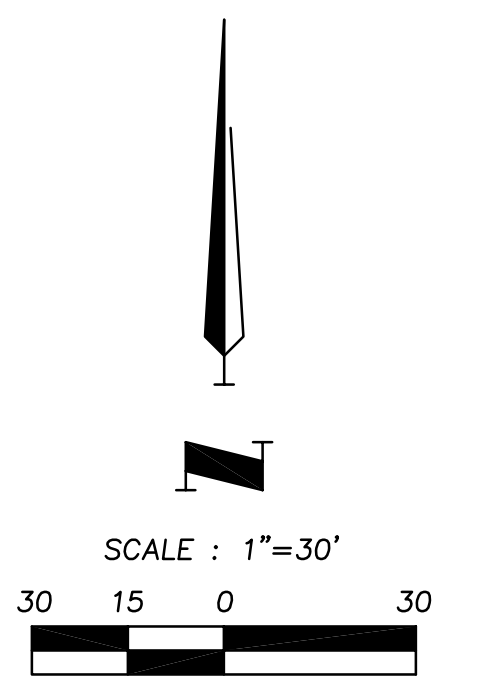


May 13, 2022 - 2:48pm Plotted By: Met C:\Users\met\OneDrive\Desktop\Draw\PP\21KC10063 - Gerber Collision Site Plan.dwg Layout: C103

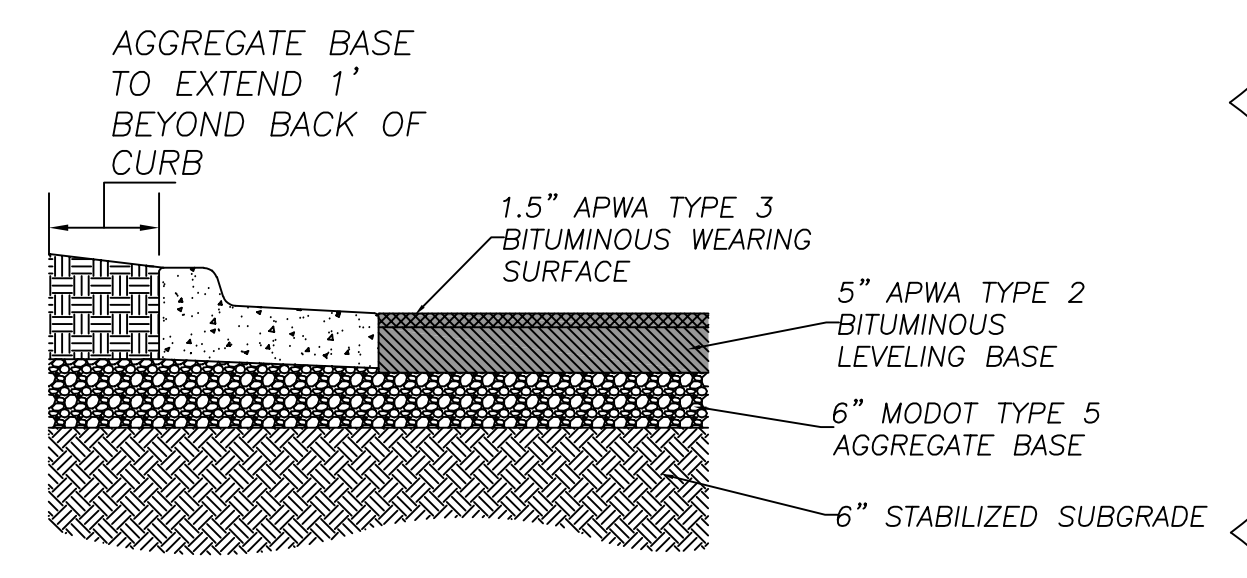
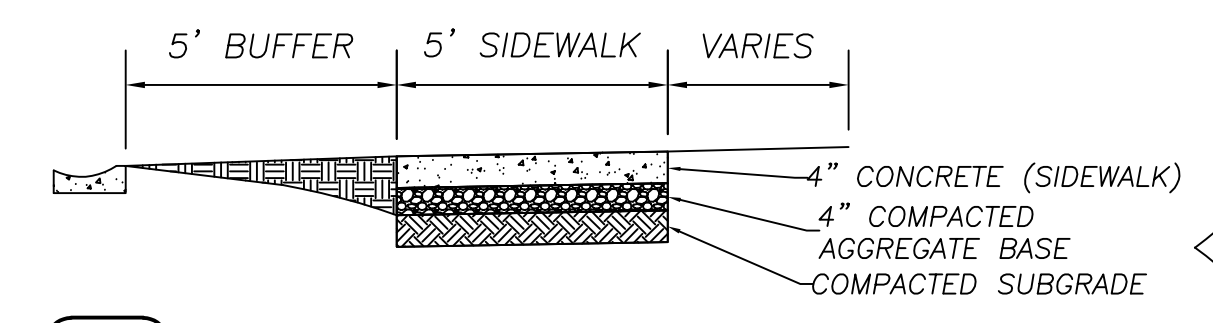


PAVEMENT LEGEND

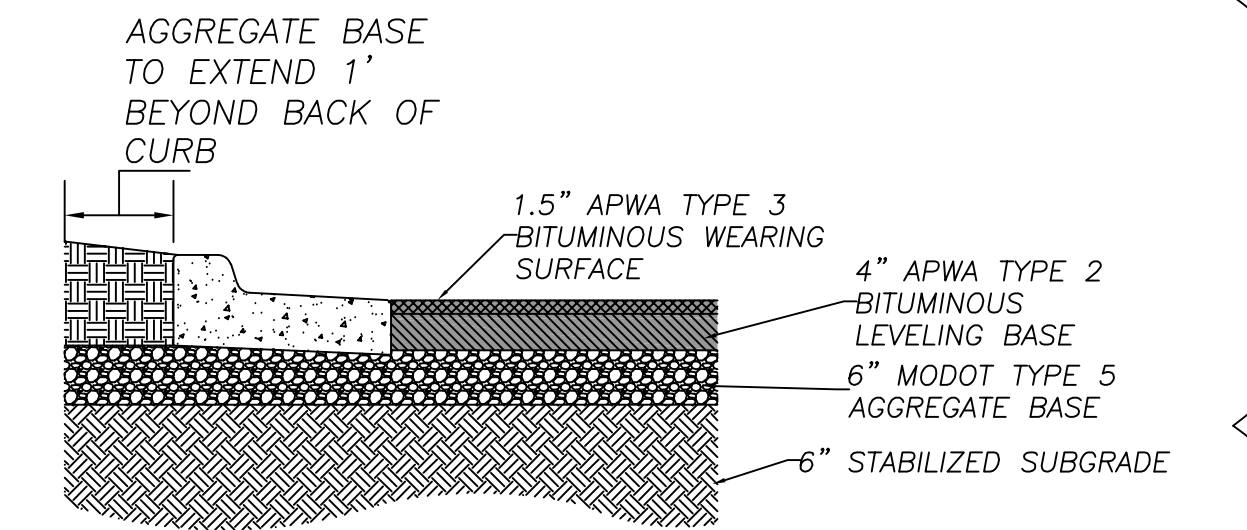
- CONCRETE CURB AND GUTTER
- CONCRETE SIDEWALK
- HEAVY DUTY CONCRETE PAVEMENT
- STANDARD ASPHALT PAVEMENT
- Heavy Duty Asphalt Pavement



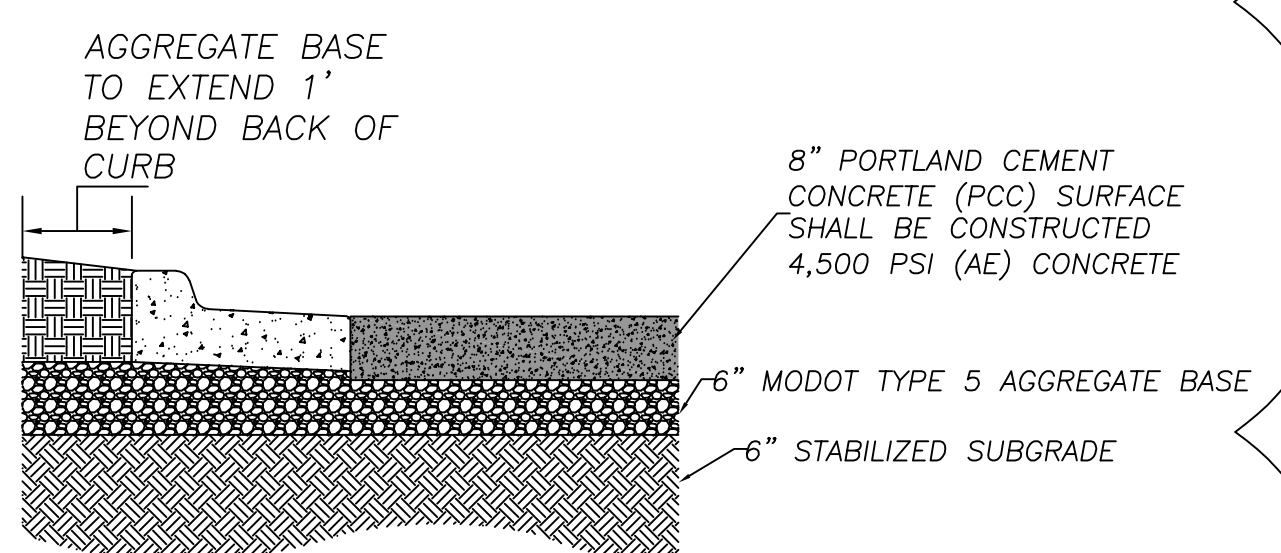
- NOTES:**
- ALL PAVEMENT SECTIONS SHALL BE IN ACCORDANCE WITH CITY OF LEE'S SUMMIT DESIGN AND CONSTRUCTION MANUAL.
 - CONCRETE CURB AND GUTTER (CITY OF LEE'S SUMMIT STANDARD CG-1) SHALL BE PLACED ALONG THE PERIMETER OF ALL PARKING AREAS. SEE DETAIL 5, ON SHEET 103.
 - CURB AND GUTTER SECTION ALONG NW BLUE PKWY SHALL BE RESTORED TO CITY OF LEE'S SUMMIT CG-2. SEE DETAIL 5 ON SHEET 103.



NOTE: ALL DRIVE LANES AND THRU LANES SHALL BE HEAVY DUTY ASPHALT.



NOTE: ALL PARKING AREAS SHALL BE STANDARD ASPHALT.



NOTE: DRIVE ENTRANCES AND TRASH ENCLOSURE PAD SHALL BE CONSTRUCTED WITH HEAVY DUTY CONCRETE.

THIS DOCUMENT IS PRELIMINARY AND IS NOT INTENDED FOR CONSTRUCTION, RECORDING PURPOSES, OR IMPLEMENTATION.

ANDERSON ENGINEERING
EMPLOYEE OWNED

ENGINEERS - SURVEYORS - LABORATORIES - DRILLING
4240 PHILIPS FARM RD. STE. 101 - COLUMBIA, MO 65201 - PHONE (673) 397-5476
MISSOURI CERTIFICATE OF AUTHORITY #00062 EXPIRES 12/31/2023

DRAWING INFO.		M/J/W	
NO.	DESCRIPTION	BY	DATE
1	CITY 3/11 REVIEW COMMENTS	RAB	3/21
2	DETENTION BASIN AND FENCE	MJW	5/13
REVISIONS		CHECKED BY:	LICENSE NO.
		MJW	03-21-2022
		DATE:	JOB NUMBER:
			21KC10063
© COPYRIGHT ANDERSON ENGINEERING, INC. 2022			

Gerber Collision - Lee's Summit
BURMAN COMPANIES
3885 N 20TH STREET OZARK, MO 65720

Site Plan

555 NW BLUE PKWY
LEE'S SUMMIT, JACKSON COUNTY, MO

SHEET NUMBER
C103
5 OF 9