

**FINAL PLAT OF
EAGLE CREEK-FIFTEENTH PLAT
(Lots 661 thru 707 Inclusive, and Tracts O, P and Q)
NW 1/4, SEC. 23 - Twp. 47 N. - Rge. 32 W.
LEE'S SUMMIT, JACKSON COUNTY, MISSOURI**

UNPLATTED
PROPERTY RESERVE, INC.
DOC. #2007E0066479

PLAT DEDICATION:

The undersigned owners of the above described tract of land have caused the same to be subdivided in the manner as shown on the accompanying plat, which subdivision and plat shall hereafter be known as:

EAGLE CREEK-FIFTEENTH PLAT, LOTS 661 THRU 707, INCLUSIVE, AND TRACTS O, P AND Q

EASEMENT DEDICATION:

An easement is hereby granted to City of Lee's Summit, Missouri, to locate, construct and maintain or to authorize the location, construction and maintenance of poles, wires, anchors, conduits, and/or structures for water, gas, sanitary sewer, storm sewer, surface drainage channel, electricity, telephone, cable television, or any other necessary public utility or services, any or all of them, upon, over, or under those areas outlined or designated upon this plat as "Utility Easement" (U.E.), or within any street or thoroughfare dedicated to public use on this plat. The grantor, on behalf of himself, his heirs, his assigns and successors in interest, hereby waives, to the fullest extent allowed by law including, without limitation, Section 527.188 RSMo. (2006) any right to request restoration of rights previously transferred and vacation of the easements herein granted.

STREET DEDICATION:

The roads and streets shown on this plat and not heretofore dedicated to public use as thoroughfares, are hereby so dedicated.

BUILDING LINES:

Building lines or setback lines are hereby established as shown on the accompanying plat and no buildings or portion thereof shall be constructed between this line and the street right-of-way line.

FLOODPLAIN:

According to "Flood Insurance Rate Map" Community Panel No. 29095C0418G, revised January 20, 2017, as published by the Federal Emergency Management Agency, this property lies partially within "Zone AE" (Base Flood Elevations determined) and partially within "Zone X" (Areas determined to be outside the 0.2% annual chance floodplain).

OIL AND GAS WELLS:

There is no visible evidence, this date, of abandoned oil or gas wells located within the property boundary, as identified in "Environmental Impact Study of Abandoned Oil and Gas Wells in Lee's Summit, Missouri", Edward Alton May, Jr., P.E. 1995.

RESTRICTED ACCESS:

Access to S.W. Ladderback Drive is restricted (collector street).

COMMON AREA: Tracts O, P and Q (12.91 Acres)

TRACT O, P and Q are hereby reserved as Common Area and shall be maintained and owned by the Eagle Creek Homes Association.

Individual lot owner(s) shall not change or obstruct the drainage flow lines or paths on the lots as shown on the Master Drainage Plan, unless specific application is made and approved by the City Engineer.

IN WITNESS WHEREOF:

HUNT MIDWEST REAL ESTATE DEVELOPMENT, INC., a Missouri corporation licensed to do business in the State of Missouri, has caused these presents to be executed this _____ day of _____, 2017.

HUNT MIDWEST REAL ESTATE DEVELOPMENT, INC.
a Missouri Corporation

Brenner Holland, Vice President/General Manager Donald K. Hagan Secretary

STATE OF _____ SS:
COUNTY OF _____

Be it remembered that on this _____ day of _____, 2017, before me, the undersigned, a Notary Public in and for the County and State aforesaid, came Brenner Holland to me personally known, who being by me duly sworn, did say that he is Vice President and General Manager of Hunt Midwest Real Estate Development, Inc., a Missouri corporation and that said instrument was signed in behalf of said corporation and that said Brenner Holland, acknowledged said instrument to be the free act and deed of said corporation.

IN WITNESS WHEREOF:

I have hereunto set my hand and affixed my Notarial Seal in the date herein last above written.

My Commission Expires: _____

Notary Public

This is to certify that the within plat of **EAGLE CREEK-FIFTEENTH PLAT, LOTS 661 THRU 707, INCLUSIVE, AND TRACTS O, P AND Q**, was submitted to and duly approved by the Mayor and City Council of the City of Lee's Summit, Missouri this _____ day of _____, 2017, by Ordinance No. _____

- APPROVED:** _____ Date _____
George M. Binger III, P.E.
City Engineer
- APPROVED:** _____ Date _____
Robert G. McKay, AICP
Director of Planning & Special Projects
- APPROVED:** _____ Date _____
Randall L. Rhoads
Mayor
- APPROVED:** _____ Date _____
Fred DeMoro
Planning Commission Secretary
- APPROVED:** _____ Date _____
Denise R. Chisum, MMC
City Clerk
- APPROVED:** _____ Date _____
Vincent E. Brice
Jackson County GIS

This plat and survey of **EAGLE CREEK-FIFTEENTH PLAT, LOTS 661 THRU 707, INCLUSIVE, AND TRACTS O, P AND Q**, were executed Olsson Associates, 1301 Burlington Street #100, North Kansas City, Missouri 64116.

I HEREBY CERTIFY: that the Plat of **EAGLE CREEK-FIFTEENTH PLAT, LOTS 661 THRU 707, INCLUSIVE, AND TRACTS O, P AND Q**, subdivision is based on an actual survey made by me or under my direct supervision and that said survey meets or exceeds the current Missouri Minimum Standards for Property Boundary Surveys as established by the Missouri Board for Architects, Professional Engineers, Professional Surveyors and Landscape Architects and the Missouri Department of Natural Resources. I further certify that I have complied with all statutes, ordinances, and regulations governing the practice of surveying and platting of subdivisions to the best of my professional knowledge and belief.



Jason S. Roudebush, MO. PLS 2002014092
February 15, 2017
jroudebush@olssonassociates.com

PROPERTY DESCRIPTION:

A tract of land in the Northwest Quarter of Section 23, Township 47 North, Range 32 West of the 5th Principal Meridian in Lee's Summit, Jackson County, Missouri being bounded and described as follows: Beginning at the Northwest corner of said Northwest Quarter; thence South 87°35'47" East, along the North line of said Northwest Quarter, 1,301.52 feet; thence South 02°24'13" West, 105.00 feet; thence South 42°35'47" East, 35.36 feet; thence South 02°24'13" West, 50.00 feet; thence South 47°24'13" West, 35.36 feet; thence South 02°24'13" West, 134.41 feet; thence Southerly, along a curve to the left, being tangent with the last described course with a radius of 800.00 feet, a central angle of 01°54'39", and an arc distance of 26.68 feet to the Northeast corner of said EAGLE CREEK-FOURTEENTH PLAT; thence North 89°30'27" West, along the North line of said EAGLE CREEK-FOURTEENTH PLAT, 75.00 feet; thence South 71°15'03" West, continuing along said North line, 107.13 feet; thence South 51°50'15" West, continuing along said North line, 234.72 feet; thence South 46°51'05" West, continuing along said North line, 149.10 feet; thence South 44°22'31" West, continuing along said North line, 282.93 feet; thence South 40°22'50" West, continuing along said North line, 643.07 feet; thence South 52°02'51" West, continuing along said North line, 40.24 feet; thence North 87°23'50" West, continuing along said North line, 233.69 feet to a point on the West line of said Northwest Quarter; thence North 02°36'10" East, along said West line, 1,408.84 feet to the Point of Beginning. Containing 1,180,138 square feet or 27.09 acres, more or less.

SURVEYORS NOTES:

- Property information referencing this survey was taken from the Commitment for Title Insurance Report, issued by Kansas City Title, File No. KCT-203763, Effective December 14, 2016 at 8:00 a.m.
- Bearings used hereon are based on the Missouri State Plane Coordinate System, NAD 1983, West Zone using Missouri Department of Natural Resources Monument "JA-74" with a grid factor of 0.9998959. All Coordinates shown are in meters.

STATE PLANE COORDINATE TABLE		
Point Number	Grid Northing	Grid Easting
1	301514.425	855719.849
2	301497.790	856116.163
3	301465.818	856114.821
4	301457.886	856122.114
5	301442.661	856121.475
6	301435.368	856113.543
7	301394.439	856111.825
8	301386.310	856111.620
9	301386.506	856088.763
10	301376.011	856057.845
11	301331.811	856001.600
12	301285.485	855953.527
13	301239.100	855908.142
14	301089.806	855781.170
15	301082.263	855771.499
16	301085.497	855700.350

UNPLATTED
WYSE, RYAN
DOC. #2016E0103591

MINOR PLAT
PARK WEST, LOT 1
INSTRUMENT NO. 12E0050792
BK. 1141 PG. 49

N12°17'42"W
9,570.52'

MO-DNR MONUMENT
JA-74
N: 298235.597
E: 856321.461

DEVELOPER:
Hunt Midwest Real Estate Development, Inc.
8300 NE Underground Drive
Kansas City, MO 64161
816-455-2500

Date of Survey:
01-17-17

Revisions:
02-15-17

Surveyed By: ??
Reviewed By: JAMB
Drafted By: NW
Project No.: 016-3432

OLSSON ASSOCIATES

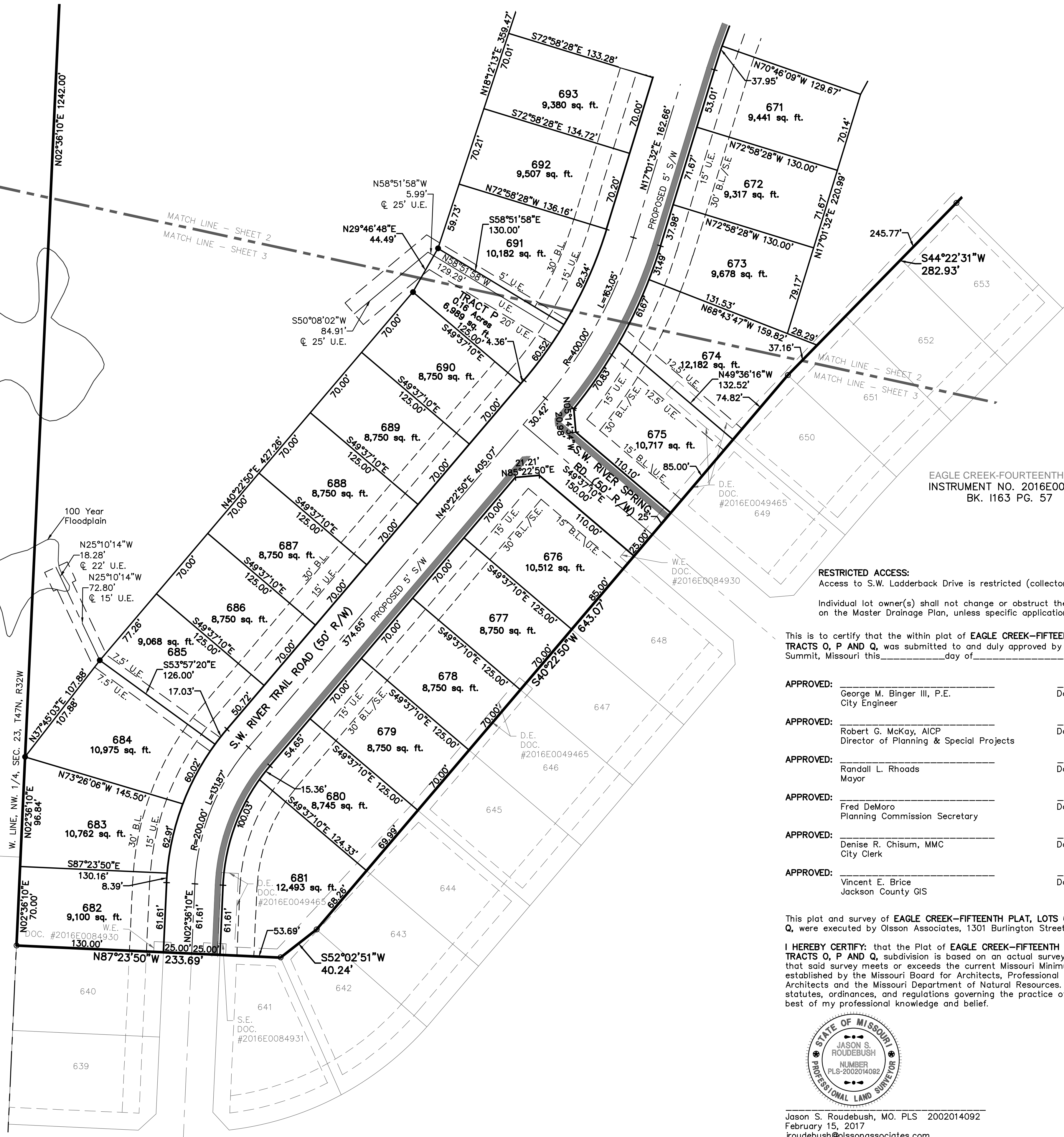
1301 Burlington Street #100
North Kansas City, MO 64116
TEL: 816.687.0320
FAX: 816.687.1983
www.olssonassociates.com

Sheet No.:
1 of 3

Location: F:\2016\3001-3500\016-3432\urljen\Plans\Plat\016-3432-EAGLE CREEK - 15TH PLAT.dwg

**FINAL PLAT OF
EAGLE CREEK-FIFTEENTH PLAT
(Lots 661 thru 707 Inclusive, and Tracts O, P and Q)
NW1/4, SEC. 23 - Twp. 47 N. - Rge. 32 W.
LEE'S SUMMIT, JACKSON COUNTY, MISSOURI**

- PLAN LEGEND**
- EASEMENTS**
- D.E. STORM DRAINAGE EASEMENT
 - S.E. SANITARY SEWER EASEMENT
 - U.E. UTILITY EASEMENT
 - W.E. WATER EASEMENT
 - S.D.E. SURFACE DRAINAGE EASEMENT
- SETBACKS**
- B.L. BUILDING SETBACK
- MISC.**
- R RADIUS
 - L ARC DISTANCE
 - D DELTA / CENTRAL ANGLE
 - I.T.B. INITIAL TANGENT BEARING
 - C/L CENTERLINE
 - R/W RIGHT OF WAY
 - B.M.P. BEST MANAGEMENT PRACTICE
- SURVEY MARKERS**
- MO DNR SURVEY MONUMENT
 - FOUND SECTION CORNER (MONUMENTATION AS NOTED)
 - FOUND PROPERTY CORNER (MONUMENTATION AS NOTED)
 - SET 5/8" IRON REBAR WITH ALUMINUM CAP TO BE SET UPON COMPLETION OF CONSTRUCTION.
 - SET 1/2" IRON BAR WITH PLASTIC CAP TO BE SET UPON COMPLETION OF CONSTRUCTION. (1/2" BARS WITH CAPS WILL ALSO BE SET ON ALL LOT AND TRACT CORNERS)



RESTRICTED ACCESS:
Access to S.W. Ladderback Drive is restricted (collector street).
Individual lot owner(s) shall not change or obstruct the drainage flow lines or paths on the lots as shown on the Master Drainage Plan, unless specific application is made and approved by the City Engineer.

This is to certify that the within plat of EAGLE CREEK-FIFTEENTH PLAT, LOTS 661 THRU 707, INCLUSIVE, AND TRACTS O, P AND Q, was submitted to and duly approved by the Mayor and City Council of the City of Lee's Summit, Missouri this _____ day of _____, 2017, by Ordinance No. _____

APPROVED: _____ Date _____
George M. Binger III, P.E.
City Engineer

APPROVED: _____ Date _____
Robert G. McKay, AICP
Director of Planning & Special Projects

APPROVED: _____ Date _____
Randall L. Rhoads
Mayor

APPROVED: _____ Date _____
Fred DeMoro
Planning Commission Secretary

APPROVED: _____ Date _____
Denise R. Chisum, MMC
City Clerk

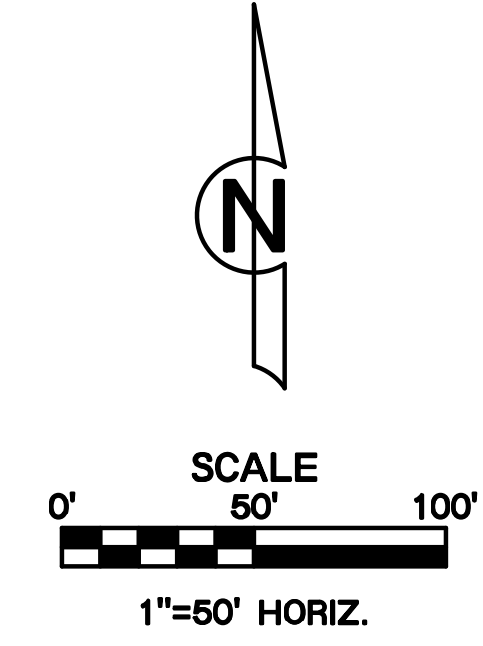
APPROVED: _____ Date _____
Vincent E. Brice
Jackson County GIS

This plat and survey of EAGLE CREEK-FIFTEENTH PLAT, LOTS 661 THRU 707, INCLUSIVE, AND TRACTS O, P AND Q, were executed by Olsson Associates, 1301 Burlington Street #100, North Kansas City, Missouri 64116.

I HEREBY CERTIFY: that the Plat of EAGLE CREEK-FIFTEENTH PLAT, LOTS 661 THRU 707, INCLUSIVE, AND TRACTS O, P AND Q, subdivision is based on an actual survey made by me or under my direct supervision and that said survey meets or exceeds the current Missouri Minimum Standards for Property Boundary Surveys as established by the Missouri Board of Architects, Professional Engineers, Professional Surveyors and Landscape Architects and the Missouri Department of Natural Resources. I further certify that I have complied with all statutes, ordinances, and regulations governing the practice of surveying and platting of subdivisions to the best of my professional knowledge and belief.



Jason S. Roudebush, MO. PLS 2002014092
February 15, 2017
jroudebush@olssonassociates.com



MINOR PLAT
PARK WEST, LOT 1
INSTRUMENT NO. 12E0050792
BK. 1141 PG. 49

DEVELOPER:
Hunt Midwest Real Estate Development, Inc.
8300 NE Underground Drive
Kansas City, MO 64161
816-455-2500

Date of Survey:	01-17-17
Revisions:	02-15-17
Surveyed By:	??
Reviewed By:	JAMB
Drafted By:	NW
Project No.:	016-3432



Sheet No.:
3 of 3

Location: F:\2016\3001-3500\016-3432\url\jen\Plans\Plat\016-3432 EAGLE CREEK - 15TH PLAT.dwg