



# CAR WASH

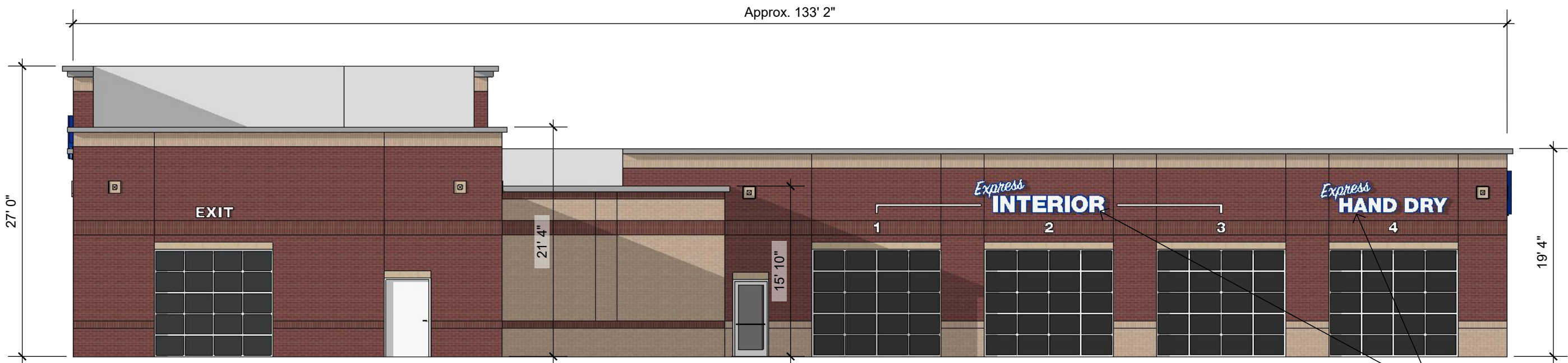
## SUPPLEMENTAL SIGN PACKAGE FOR PERMIT REVIEW

### CHARLIE'S CAR WASH of LEE'S SUMMIT

950 NW Chipman Rd, Lee's Summit, MO 64086

#### INDEX OF SHEETS

- 1 TITLE SHEET
- 2 MAIN BLDG. COLOR ELEVATIONS
- 3 MAIN BLDG. SIGN MOUNTING DETAILS



**NORTH ELEVATION**  
(Tunnel Exit - Detail Bay Entrance)

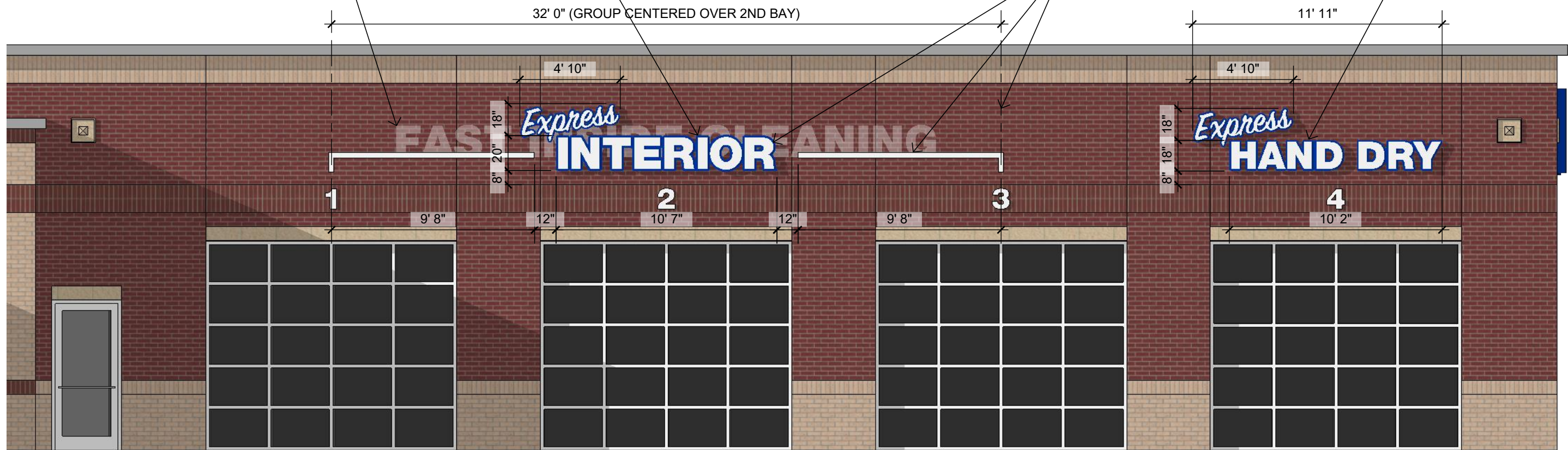
CENTERED OVER  
BAY DOORS 2 & 4

REMOVE AND REPLACE EXIST.  
"FAST INSIDE CLEANING" - 38.5 Sq.Ft.

THE WORD "INTERIOR" SHALL  
BE CENTERED OVER BAY 2

FLAT BARS TO ALIGN WITH  
THE MIDDLE OF THE WORD  
"INTERIOR" AND BAYS 1 & 3

THE WORDS "HAND DRY" SHALL  
BE CENTERED OVER BAY 4



**NORTH ELEVATION**  
(Detail Bay Entrance)

NOTE:  
ALL BLDG. DIMENSIONS ARE  
APPROXIMATE. SEE PLAN SHEETS.

NOTE:  
ALL SIGNS SUPPLIED BY OWNER, AND  
INSTALLED BY SIGN CONTRACTOR.

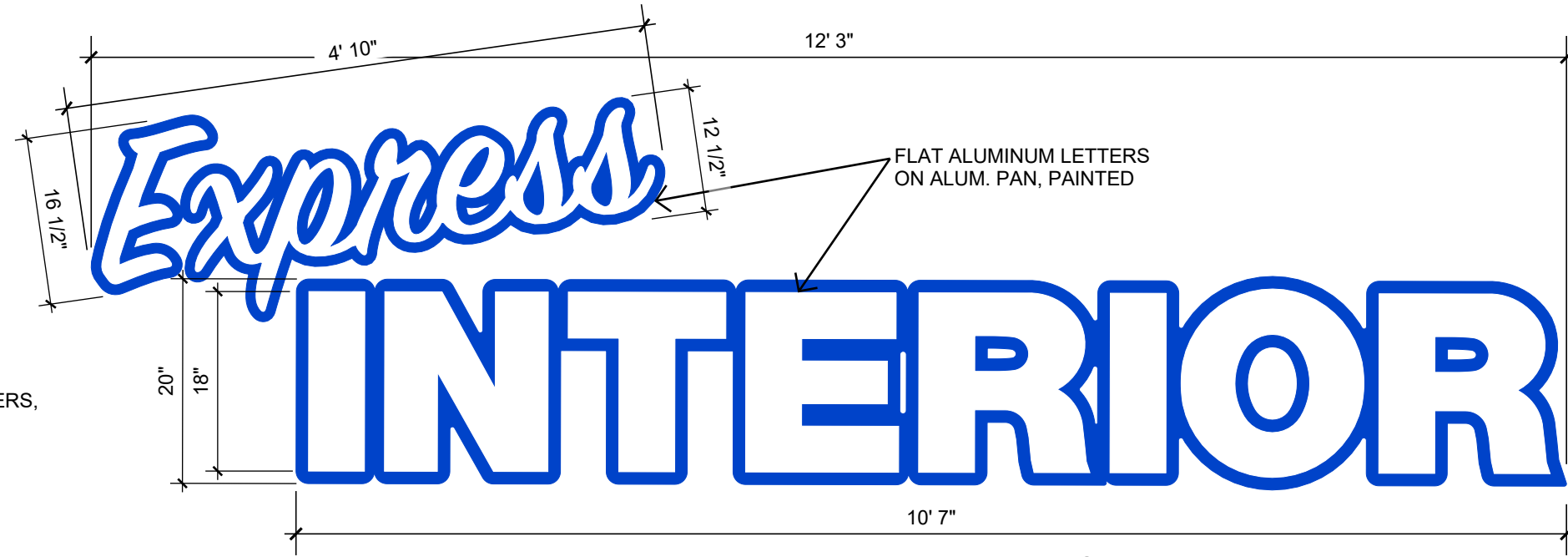
**CAR WASH**



BUILDING COLOR ELEVATIONS & SIGN MOUNTING  
**SUPPLEMENTAL SIGN PACKAGE**  
Charlie's Car Wash, 950 NW Chipman Rd, Lee's Summit, MO 64086

SUBMITTAL:  
PERMIT REVIEW  
DATE: 05-12-2021

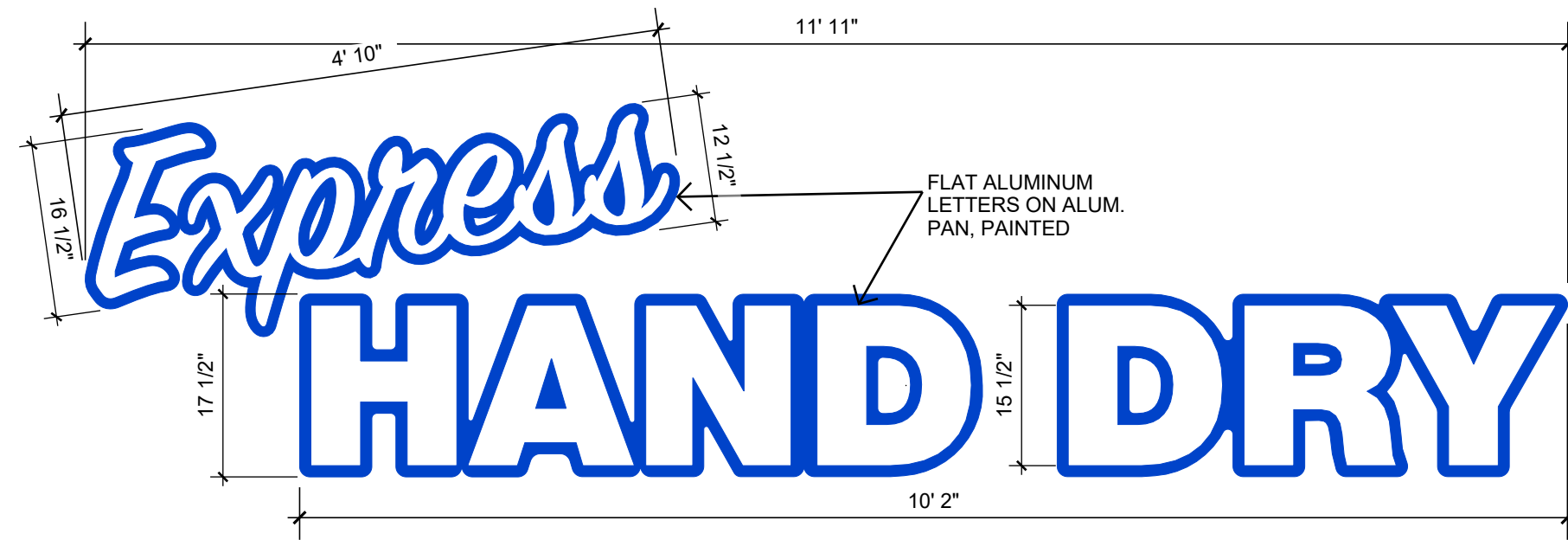
**2**



**"EXPRESS"**  
 Actual 4.5 sq ft  
 3/8" Aluminum Plate FCO  
 Mounted to 2" Alum. Pan, Pt'd.

**"INTERIOR"**  
 Approx 16 sq ft  
 3/8" Aluminum Plate FCO  
 Mounted to 2" Alum. Pan, Pt'd.

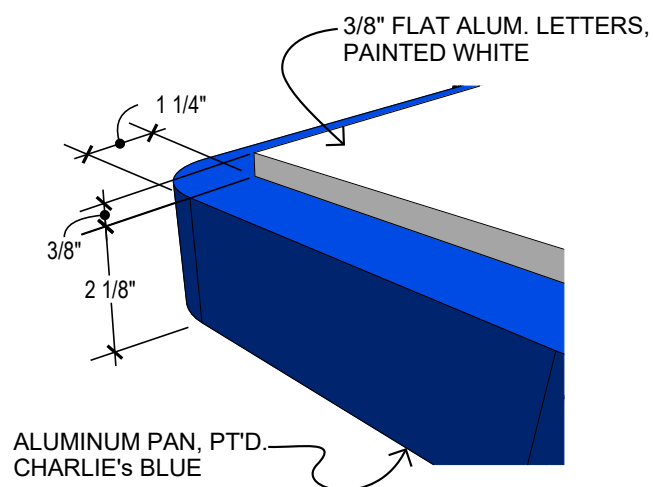
**DETAIL BAY ENTRANCE**  
 (Centered over Detail Bay No.2)



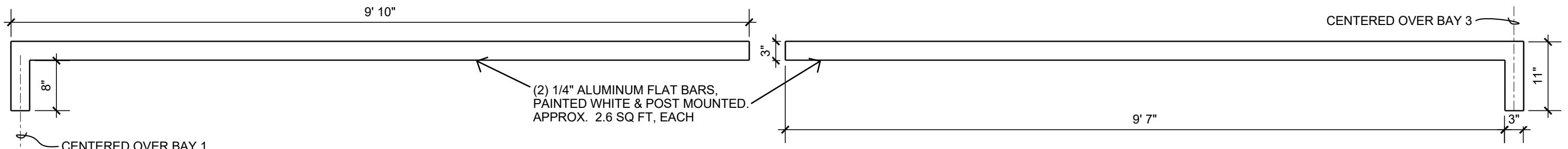
**"EXPRESS"**  
 Actual 4.5 sq ft  
 3/8" Aluminum Plate FCO  
 Mounted to 2" Alum. Pan, Pt'd.

**"HAND DRY"**  
 Approx 13 sq ft  
 3/8" Aluminum Plate FCO  
 Mounted to 2" Alum. Pan, Pt'd.

**DETAIL BAY ENTRANCE - HAND DRY**  
 (Centered over Detail Bay No.4)



**MOUNTED PAN SIGN DETAIL**



**DETAIL BAY ENTRANCE - BAY DESIGNATION**  
 (Ends centered over Detail Bay No.1 & 3)

NOTE:  
 ALL SIGNS SUPPLIED BY OWNER, AND  
 INSTALLED BY SIGN CONTRACTOR.